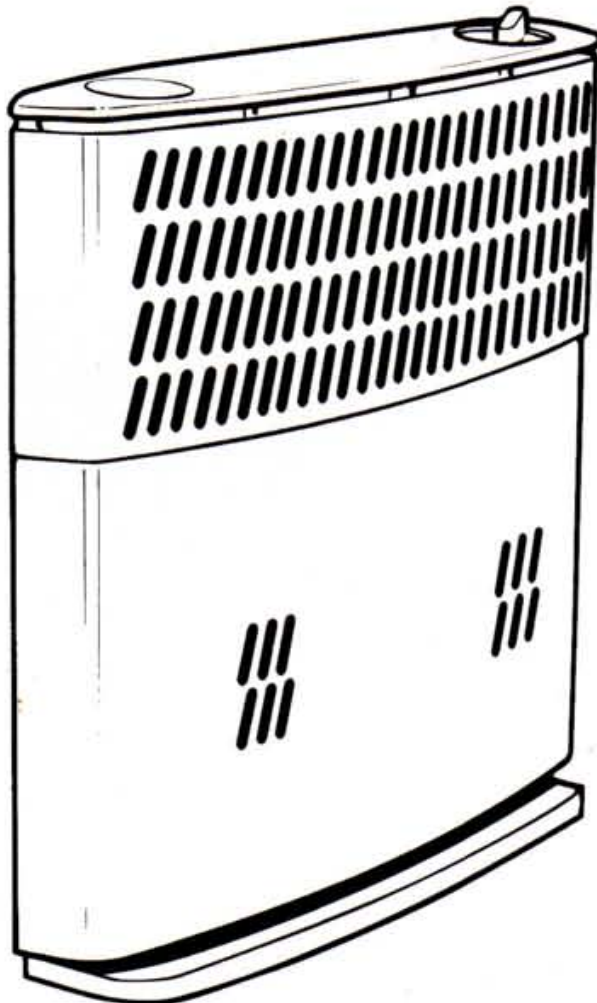


CARVER

INSTALLATION AND SERVICING INSTRUCTIONS

FOR THE
3600 STC & 3600 STC AUTO CARAVAN HEATERS



LEAVE THESE INSTRUCTIONS WITH THE APPLIANCE

THIS APPLIANCE MUST BE INSTALLED IN ACCORDANCE WITH THE MANUFACTURERS INSTRUCTIONS AND THE REGULATIONS IN FORCE AND ONLY USED IN A SUITABLY VENTILATED LOCATION. READ THE INSTRUCTIONS FULLY BEFORE INSTALLING OR USING THIS APPLIANCE.

1. WARNINGS AND INFORMATION

- 1.1 When the appliance is in use, the flue ducting becomes hot. No plastics, fabrics or aerosols must be placed near the ducting.
- 1.2 This heater must be installed by a competent gas fitter working to the gas Safety (Installation and Use) Regulations, the Health and Safety at Work Regulations, the Council for Registered Gas Installers requirements and these fitting instructions
- 1.3 The heater is suitable for installation into caravans complying with B.S. 4626.
- 1.4 Always ensure the underfloor air intake is positioned so that it cannot be blocked by mud or snow..
- 1.5 Where children, the elderly or the infirm are present we recommend that when in use a guard be fitted around the heater.
- 1.6 There MUST NOT be a mantelpiece or shelving sited above the heater.
- 1.7 Curtains MUST NOT hang within 150mm of the sides of the heater or within 300mm above the top of the outlet grille.
- 1.8 Adjacent furniture or upholstery must be clear of the heater case by at least 5 millimetres.
- 1.9 The Carver 3600 STC & 3600 STC Auto heaters are approved to the relevant sections of B.S. 5258 part 13 1986 under the United Kingdom Accreditation Service (UKAS) and is manufactured to the quality standard of B.S. 5750 part 2./ISO 9002.
- 1.10 The data badge is located on the heater carcass, behind the front case.
- 1.11 Aerosols and highly flammable materials MUST NOT be stored in compartments behind of adjacent to the heater.
- 1.12 This heater does not contain asbestos or any asbestos related products.
- 1.13 The gas supply to the heater must be from a regulator of adequate capacity giving a working pressure of 28mbr Butane or 37mbr Propane. Under NO circumstances should an industrial or adjustable regulator be used on caravan applications.
- 1.14 The heater MUST NOT be operated while refuelling or when the vehicle is in a confined space such as a garage, or when the vehicle is in motion or transit.
- 1.15 The 3600 STC Auto ignitor is designed for connection to a 12v or 9v supply, and must not be used with any other type of electrical supply.
- 1.16 The 12v gas supply must be isolated when the caravan or motor home is in transit.
- 1.17 When the heater is first used, it is recommended that you open a door or window and turn the temperature setting to maximum for 1 hour. This will allow any odours to escape
Note:- If any odours persist contact your local dealer.

IMPORTANT: CORRECT POLARITY OF THE ELECTRICAL CONNECTIONS MUST BE OBSERVED OR DAMAGE TO THE ELECTRONIC COMPONENTS WILL RESULT.

2. THE HEATER KIT - 3600 STC

The Heater kit is one Box containing:-

- | | |
|--------------------------------------|--------------------------------------|
| 1 Heat Exchanger Assembly | 1 Gas connection |
| 1 Case with blanking bezel fitted | 1 Clamp strip |
| 1 Control rod/Piezo ignitor assembly | 1 Installation box (2 parts) |
| 4 Screws No. 8 x 30mm long (Bown) | 1 Set of literature in polythene bag |
| 4 Wood Screws No. 8 x 20mm long | |
| 6 Woodscrews No. 6 x 12mm long | |
| 1 Screw (M5) - Exhaust clamp | |
| 1 O Ring (Red) | |
| 1 Clamp ring | |
| 1 Locking ring | |
| 1 Gas connection olive | |

The flue duct kit is one box containing:-

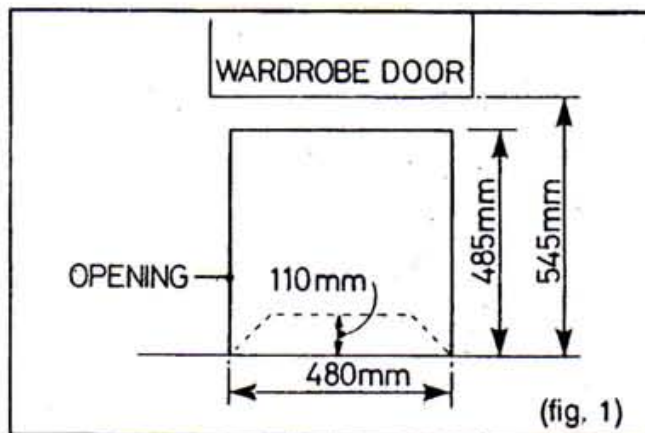
- 3 Flue duct clips
- 1 Cowl
- 1 Flange head screw
- 1 UR Insulating duct
- 1 Length of Stainless Steel Flue duct

3600 STC AUTO

As above but with Auto ignition unit wired and pre-fitted to the heat exchanger assembly.

3. CHOOSING THE POSITION FOR THE HEATER.

The heater is normally fitted into the panel below the wardrobe door. Before commencing any fitting ensure that the appliance will fit into the desired position (see fig. 1.) . The installation box will be recessed into the panel of the wardrobe by 110mm.

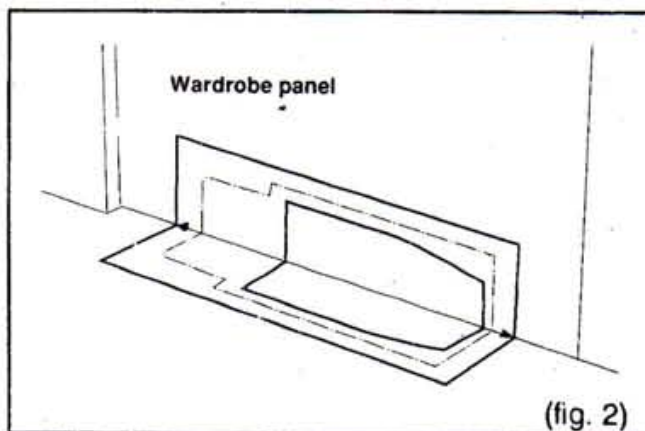


4. FITTING THE HEATER.

4.1 TURN OFF the gas supply at the cylinder.

4.2 If possible lift away the floor covering from the front of the panel or wall into which the heater is to be fitted. If this is not possible the template will have to be positioned on top of the floor covering.

4.3 Fold the template upwards along the arrows marked 'Wall Cutout' front face RH' and place in position as shown in fig. 2. with the rectangular cutout to the right. Mark and drill two small holes at the front corners (A & C on the template). Drop a nail or similar through the two holes and check below the caravan that the area between the nails is free of obstruction.

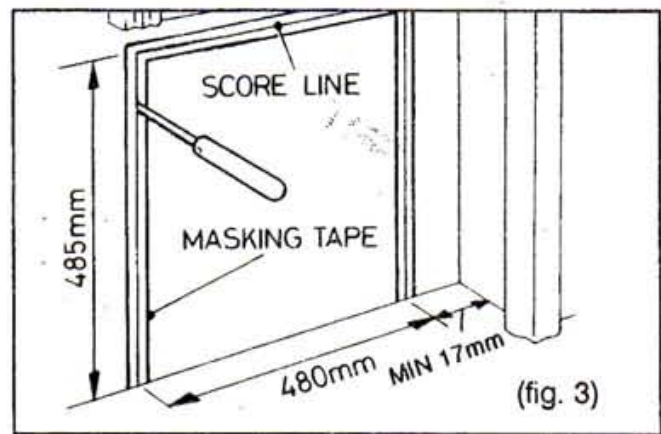


4.4 If any obstruction is found then refold the template along the arrows marked 'Wall cutout front face LH' and place in position with the rectangular cut out to the left. Mark and drill two small holes at the front corners (B & D on template). Drop a nail or similar through the two holes and check below the caravan that the area between the nails is free of obstruction.

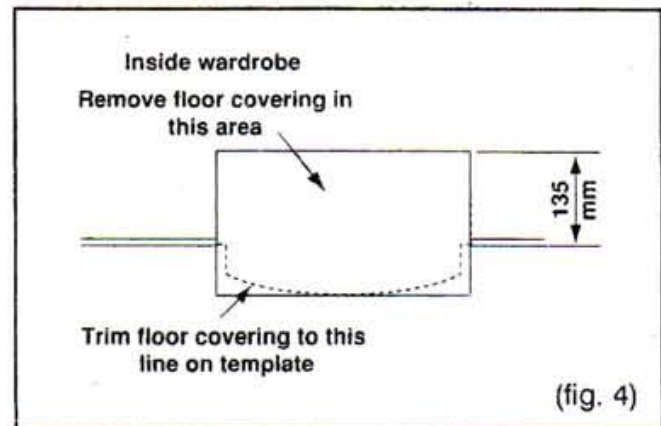
NOTE: If the heater is to be fitted in this position (called "Left Hand") the thermostat phial on the Gas Control Valve has to be repositioned. See section 4.13 for instructions.

4.5 If an obstruction is still evident, the heater must be repositioned in another area in the vehicle.

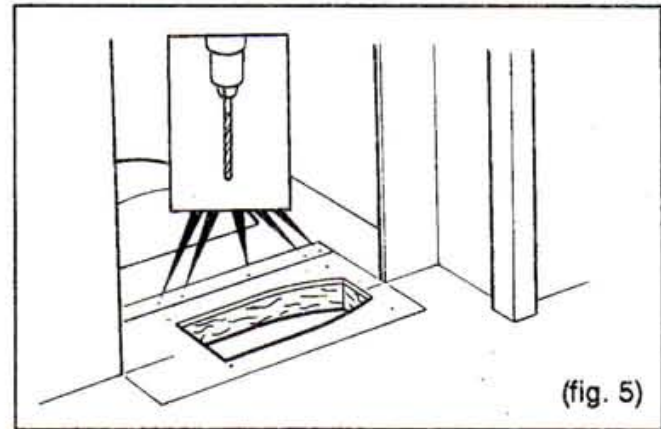
- 4.6 When satisfactory, mark the hole to take the installation box. This will require a hole to be cut in the panel 485mm high (from the floor, below floor covering) X 480mm wide. It is recommended that the panel surface is protected by masking tape. Score the line to be cut with sharp knife, to stop the veneer lifting (see fig.3) .If the panel is of the hollow type, then the void must be filled locally along the opening with wood.



- 4.7 Trim the floor covering from inside the wardrobe or panel to a depth of 135mm from the front (see fig. 4.). If the floor covering is not wanted behind the installation box remove as required. Also trim the floor covering in front of the panel or panel to the lines on the template.

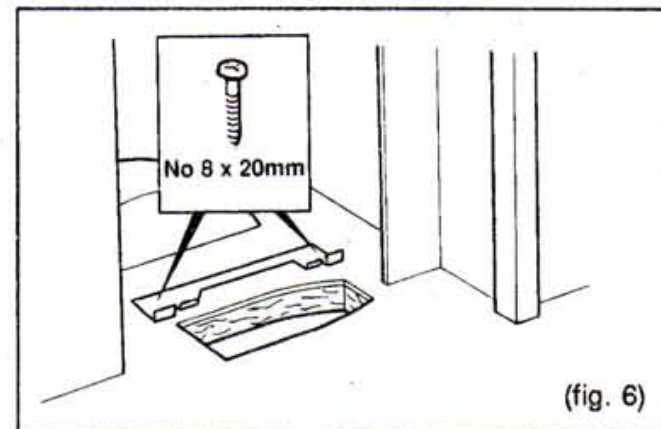


- 4.8 Open out the template making sure that the arrows remain in their relative positions. Mark and cut the floor hole at A, B, C, & D. on the template. Remove some of the insulation and insert timber liners for added security of the fixing screws, and to seal off the caravans floor insulation. The liners must be secured to the floor using suitable adhesive or screws and their size must be such that all holes marked on the template fall within the inserts. Do not use screws where they will contact the floorplate cork gasket of the heater.



- 4.9 Drill four 2mm dia. holes, as labelled at the rear of the template. (see fig. 5.).

- 4.10 Line up the floorplate clampstrip with the four pre-drilled holes, ensuring that the overhung edge is facing forward. Secure with 20mm screws provided. Tighten down the two outer screws firmly (see fig. 6) leave the two inner screws loosely driven at this stage.

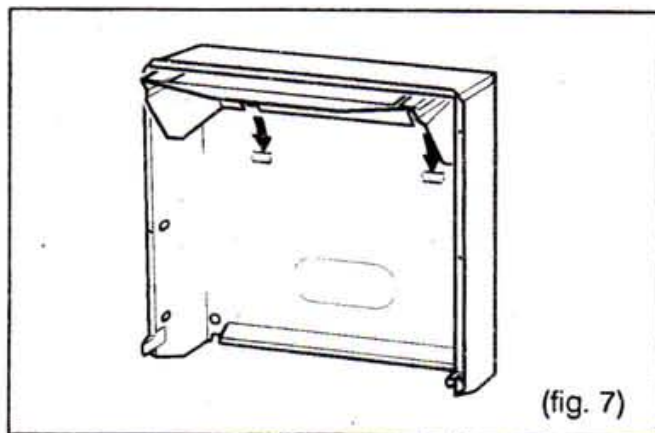


4.11 Assembly of the installation Box.

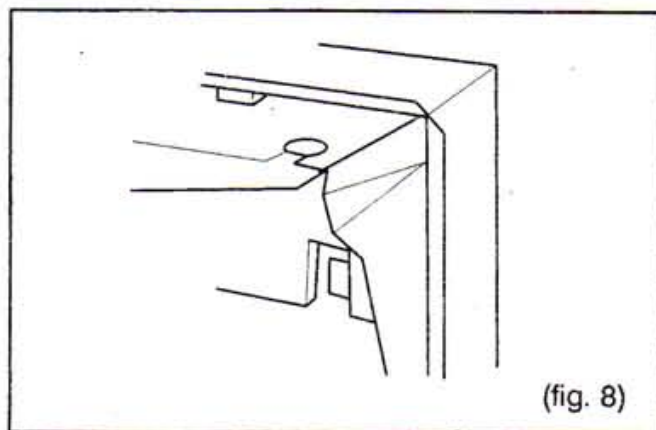
Locate the inner box on the rear tabs (see fig. 7.) Fit the top brackets of the inner box through the slots in the outer box top flange (see fig. 8.).

In no circumstances must the heater be installed without both inner and outer installation boxes being fitted correctly as this can cause damage to the heater and its surrounding cabinets and may invalidate the warranty.

Remove the bold central oval knock-out (see fig. 7.).



4.12 Position the installation box into the opening ensuring that the bottom edge of the box is on to the floor. Secure the box to the panel with the six woodscrews provided. (see fig. 9.)

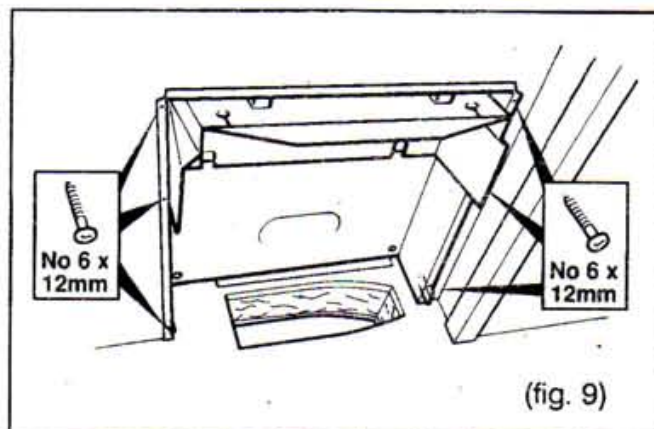


4.13a Moving Phial Bracket

Carefully slide the bracket, carrying the thermostat sensor, from the steel heat exchanger shield, retaining the spring clip for further use. (See fig 10).

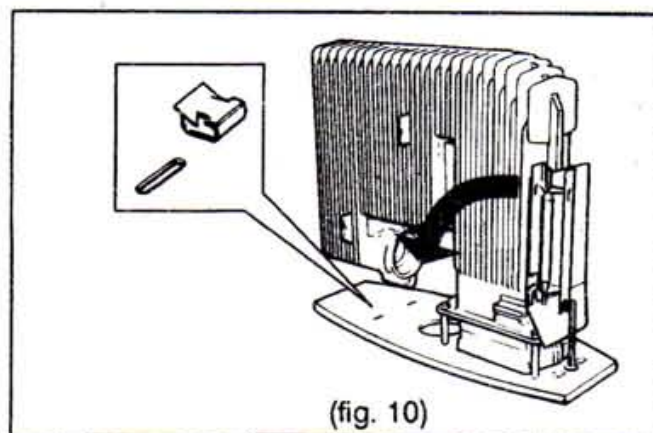
4.13b Fitting Spring Clip

Fit the spring clip in the pressed slot in the top of the floorplate as shown in fig. 10. Ensure that the clip is fitted with the barbs uppermost and on the side of the floorplate intended to face into the caravan living space.



4.13c Fitting Phial Carrier

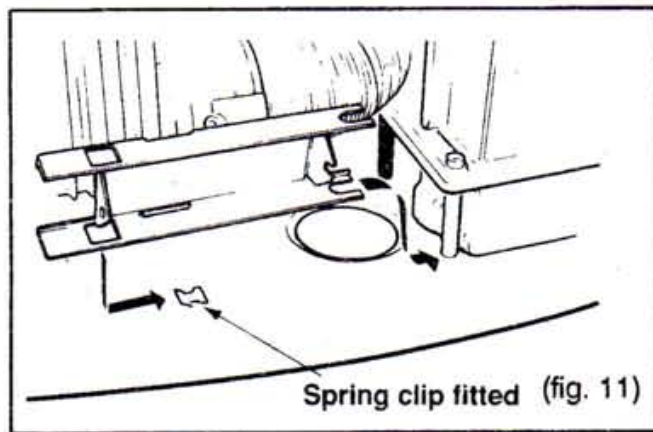
Taking care not to trap, damage or kink the thermostat capillary, relocate the sensor and bracket assembly on the top of the floorplate on the same side as the spring clip. Fit the forked end of the bracket on the heat exchanger support leg, then push fully home while ensuring the spring clip flange grips the bracket bottom flange through its square hole. (See fig. 11).



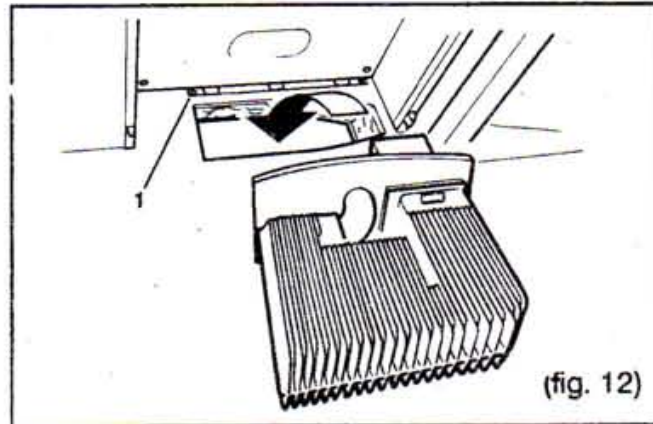
- 4.14 Lower the heater into the floor hole and position the heater centrally in the installation box, ensure that the rear edge of the floorplate is pushed under the floorplate clampstrip. (see fig.12 point 1.)

Check that the thermostat phial and its carrier face out into the living space.

On 3000 S Auto models, take care not to damage the flying leads or terminal block, and ensure that they remain above floor level with the heater fitted.



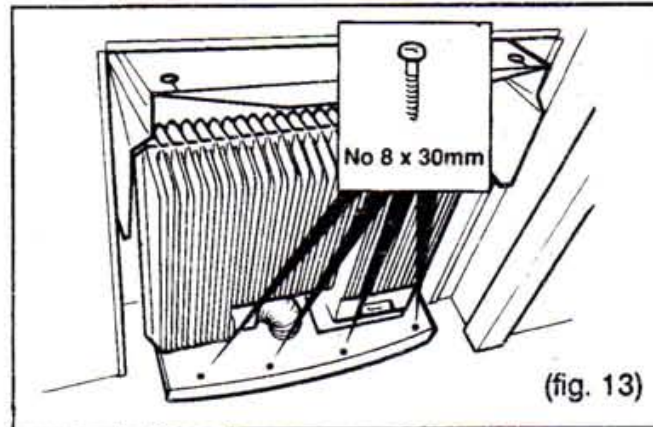
- 4.15 Once the heater is in position use the four brown screws provided to secure it via the holes in the front edge of the floorplate (see fig. 13). Drill 2 millimetre pilot holes when screwing into solid wood.



- 4.16 Working inside the wardrobe tighten the remaining two 20mm screws on the floorplate clampstrip.

- 4.17 It is important that all the screws are tightened evenly to avoid distortion of the heat exchanger floorplate, and to ensure an air tight seal to the floor.

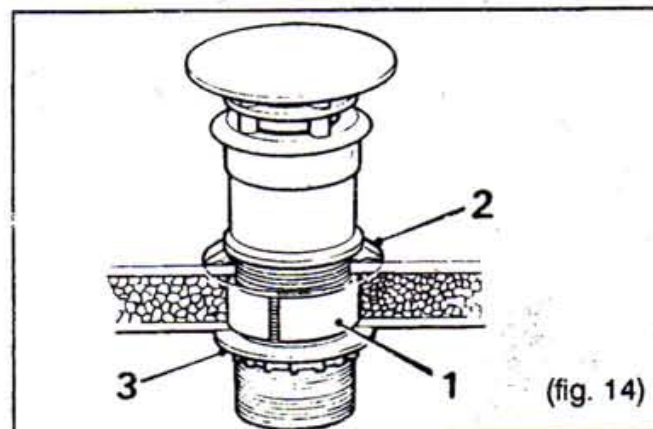
- 4.18 **IMPORTANT** : The floorplate **MUST NOT** be positioned on top of any floor covering, as this would prevent a satisfactory airtight room seal.



5. FITTING THE FLUE AND COWL.

NOTE:- The cowl must be fitted to the roof of the caravan only and the whole installation must conform to BS5440 Part 1.

- 5.1 The centre of the cowl should be at least 80mm from the edge of the caravan. If the caravan has a sloping roof ensure that no part of the cowl overhangs the edge of the caravan. The flue direction should be as straight as possible and should rise continually from the heater to the cowl. It should run against the panel to which it will be screwed



- 5.2 Cut a 60mm diameter hole in the roof at the required position. To avoid distortion in insulated or double roofs insert a band (1) of aluminium of the same width as the gap. Fit the cowl from the outside ensuring the rubber seal (2) is in place and then, from inside, fit and firmly tighten the plastic nut (3) with the screw on the side (see fig. 14).

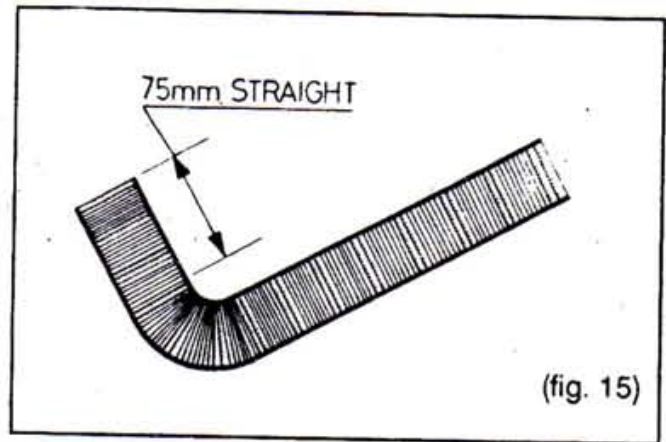
- 5.3 **Be very careful when handling the flue duct as the edges are extremely sharp.** Bend one end of the inner flue duct sharply to 90° as shown in fig.15.

NOTE:-

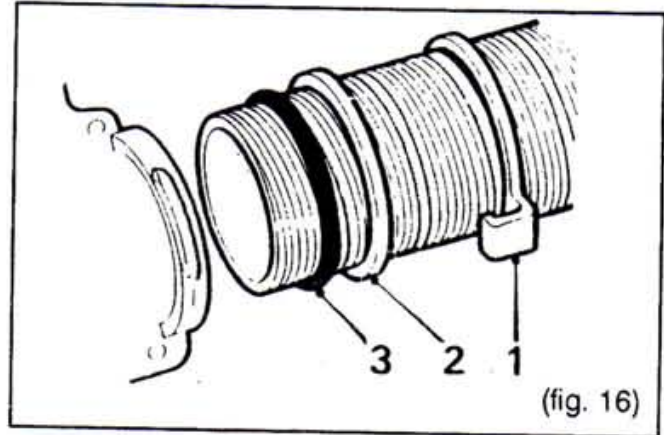
To help you fit the flue the following tools are available from Carver Spares Department:-

Cutting Jig Part Number R701067
(Jig to assist in cutting the flue square.)

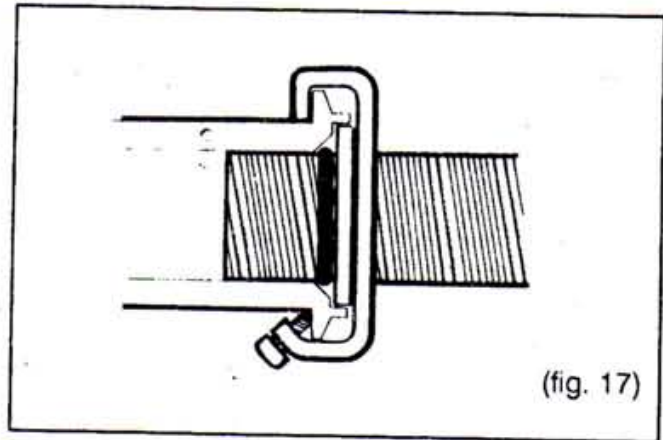
Mandrel Part Number R701063
(To assist in the bending of the flue.)



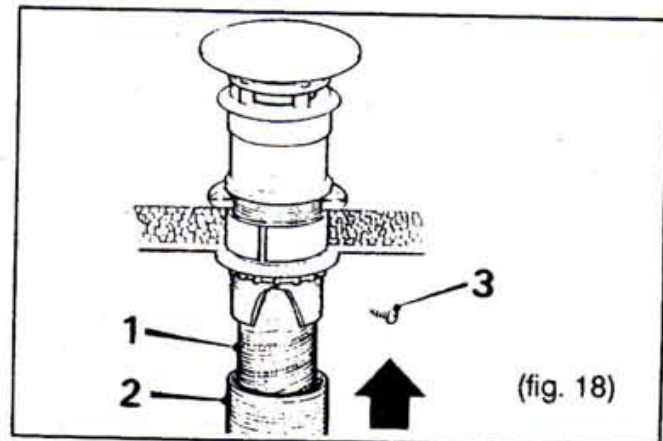
- 5.4 From inside the wardrobe feed the bend end of the inner flue duct through the knock-out in the installation box. Slide the locking ring (1), the clamp ring (2) and the O ring (3) over the end of the duct end. (see fig. 16.)



- 5.5 Firmly push the duct into the heat exchanger up to the stop. Slide the O ring, clamp ring and locking ring up to the heat exchanger making sure the tapped hole in the locking ring is towards the top. Engage the ears of the locking ring behind the projections on the heat exchanger and rotate it so that the ears are near horizontal. Insert and tighten the M5 screw. This will compress the O ring and fix the exhaust duct to the heater. **This joint is critical for the safe operation of the heater** (see fig. 17.)



- 5.6 Lay the inner flue duct along its required route to the outside cowl taking into account the attachment to the flue support, (para. 5.8.) Allow 110mm for insertion into the cowl and cut to length, erring on the long side. Slide the insulating duct over the flue until the lower end is inside the installation box and cut so that its upper end is flush with the inner duct.

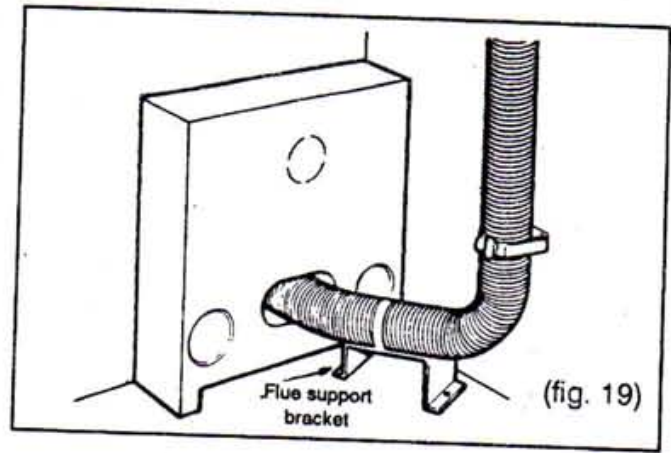


- 5.7 Push back the end of the outer duct and firmly insert the inner duct into the cowl right up its stop (about 110mm). Allow the outer duct to spring over the outside of the cowl up to the nut. Just below the nut drill a 3mm hole through both ducts and the cowl and fit the flange head screw through all 3 items. (see fig. 18.)

5.8 Inside the wardrobe fit the main flue support bracket in a position which prevents the flue sagging. Secure the flue to it with the strap provided. Secure the flue along its length against the caravan structure using all of the 3 duct clips provided. (see fig. 19.)

It is important that the flue rises continually from the heater to the cowl and that there are as few bends as possible along its length.

It is extremely important that the flue system is sound and that it has been correctly fitted at both ends. The safety of the occupants depend on the integrity of the flue system.



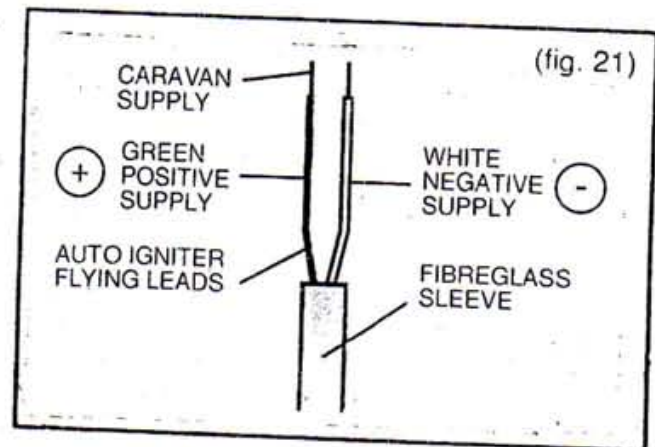
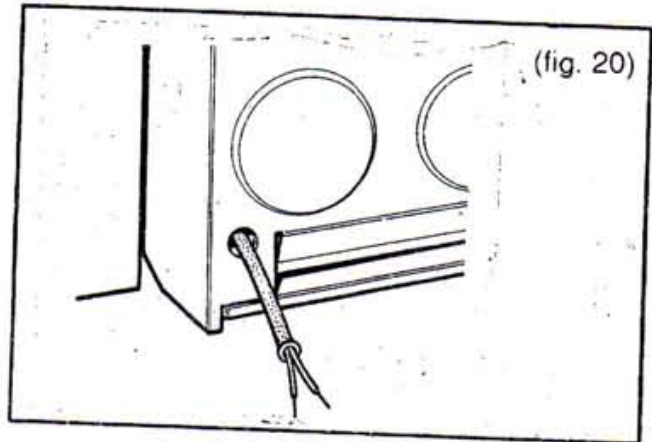
6. CONNECTION TO THE GAS SUPPLY

Ensure that the gas supply is turned OFF at the cylinder.

Connect the 8mm diameter caravan heater feed pipe to the gas valve under the caravan, using the nut and olive provided. When tightening the valve connection, two spanners **MUST** be used: one to tighten the nut and the other, for steadying purposes, on the flat surfaces of the valve itself.

The gas pipes or valve **MUST NOT** be placed under any strain while fitting to the heater.

NOTE : The size of the supply pipe **MUST NOT** be less than 6mm (1/4 ") O.D. For heater servicing purposes an approved isolating valve, mounted in an accessible position is recommended. After connecting, turn on the gas at the cylinder and check the system up to the appliance gas valve for leaks using soapy water or other approved leak testing methods.



7. CONNECTION TO THE 12v or 9v D.C. SUPPLY 3600 STC AUTO

- 7.1 Disconnect and isolate the caravan battery and ensure that the caravan circuitry is not connected to any 240v mains supply.
- 7.2 Pass the sleeved flying leads through the lower hole in the back of the installation box behind the control shaft support bracket. (See fig. 20).
- 7.3 The wires are coloured in accordance with the following code:

GREEN - POSITIVE (+)
WHITE - NEGATIVE (-)

WARNING: CORRECT POLARITY MUST BE OBSERVED WHEN CONNECTING TO THE CARAVAN SUPPLY OR THE AUTO IGNITION UNIT WILL BE DAMAGED. (See fig. 21)

IMPORTANT: THE CARAVAN SUPPLY TO THE AUTO IGNITION UNIT MUST BE PROTECTED BY A FUSE OF MAXIMUM RATING OF 5A.

- 7.4 When satisfactory, reconnect the caravan battery, again observing the correct polarity.

8. FINAL ASSEMBLY

- 8.1 First fit the control rod assembly. Separate the rod from the plastic igniter housing and pass the rod down through the hole in the installation box front, ensuring that the foam backed aluminium disc remains sitting on top of the installation box, foam side down.

Reconnect the rod to the piezo housing. Locate the bottom ball joint over the shaped gas control rod, and push securely together. (see fig. 22B)

3600 STC ONLY:

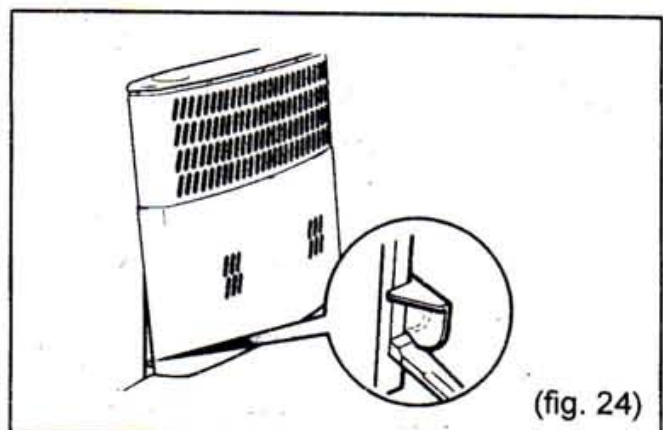
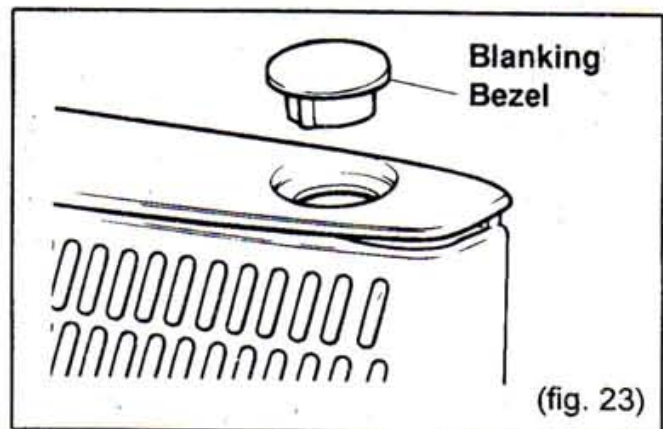
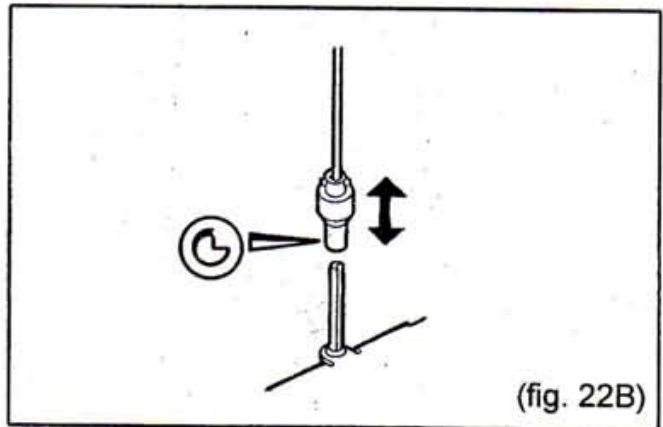
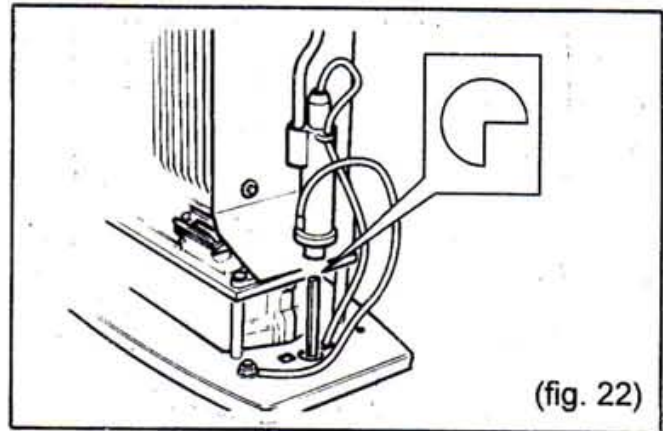
- 8.2 Firmly push the small insulated female connector on the igniter lead through the guide hole and on to the male terminal on the igniter unit. Connect the free end of the earth lead to the tab on the side of the piezo igniter housing (see fig. 22)
- 8.3 The heater case has been factory built to suit a Right Hand installation. For a left hand installation, push the blanking bezel out of position on the top panel and push into place on the right hand side (see fig. 23)

- 8.4 Locate the heater case over the top edge of the installation box and the control knob. Press in the bottom of the case on to the spring clips located at the bottom of the installation box. (see fig. 24). It will be useful at this stage, to check the operation of the piezo or auto igniter. For the piezo, press the knob firmly downwards several times and observe a spark at the burner.



On the Auto, when the caravan supply is restored, press the knob down and turn anticlockwise where a constant "ticking" will be heard. Observe the spark at the burner, and the knob illuminated indicator.

If a spark cannot be seen, check the assembly procedure in sections 7 and 8.


Before using your appliance remove the protective covering on the brass strip, if fitted.



9. TESTING THE HEATER - 3600 STC

- 9.1 Ensure the gas is turned on at the cylinder.
- 9.2 Purge any air from the system by pressing down and turning the control knob to the ignition position ("  ") and firmly holding it down, for approximately 20 seconds.
- 9.3 Turn the control knob clockwise to the off ("●") position and release.
- 9.4 **WAIT 3 MINUTES TO CLEAR ANY RESIDUAL GAS.**
- 9.5 Press down and turn the control knob to the "  " position and then press igniter firmly downwards. A click will be heard as the igniter operates to light the pilot burner.
- 9.6 Continue holding the gas control knob down whilst checking that pilot burner is alight by observation through the viewing window. If the pilot burner does not light immediately, push the igniter down repeatedly until it does light.
- 9.7 Continue to hold the control knob down for 20 seconds while the flame failure protection device operates, then release the control knob and the pilot burner will remain alight. To operate the main burner, turn the knob anti-clockwise and set at the desired position between high and low.
- 9.8 If the burner does not remain alight, repeat operation from stage 8.3 but always wait 3 minutes before attempting to relight the heater.
- 9.9 To turn off, return the control knob to '●' position
- 9.10 **TO ADJUST THE ROOM TEMPERATURE**
Turn the Gas Control Knob to the setting that gives the required comfort level. The main burner will 'cycle' on and off automatically as required by the thermostat to maintain to the set temperature but the pilot flame will always remain alight.

10 TESTING THE HEATER - 3600 STC AUTO

- 10.1 Ensure the gas is turned on at the cylinder, and that the vehicle's 12v supply or 9v battery is correctly connected and switched on.
- 10.2 Turn the control knob anti-clockwise to the "  " position, where the igniter will be heard to operate by an audible "ticking" noise and the indicator will illuminate.
- 10.3 Press the knob firmly downwards while the igniter continues to operate for several seconds while air is purged from the gas supply. Observe that the pilot is alight through the viewing window, when the audible ticking stops and the indicator stops illuminating.
- 10.4 When the pilot burner lights, continue to hold the knob for 20 seconds while the flame failure protection device operates, then release the control knob and the pilot burner will remain alight.
- 10.5 Test the "Full Flame" function, by now turning the control knob further anticlockwise to the desired position between high and low.
- 10.6 If the burner does not remain alight, repeat the operation from stage 1. **ALWAYS WAIT THREE MINUTES BEFORE ATTEMPTING TO RELIGHT THE HEATER**
- To turn off, return the control knob to the "●" position.

11 TECHNICAL SPECIFICATION

HEAT INPUT	MAX MIN	3.75 kW 0.40 kW
HEAT OUTPUT	MAX	3.2kW
GAS CONSUMPTION	BUTANE MAX MIN	274 grams/hr 29.3 grams/hr
	PROPANE MAX MIN	270 grams/hr 29.3 grams/hr
EFFICIENCY MAX.	GROSS	86.0%
GAS SUPPLY PRESSURE	BUTANE PROPANE	28 mbar 37 mbar
GAS FEED PIPE TO HEATER		8mm O/D
MINIMUM SUPPLY PIPE SIZE		6mm O/D
IGNITION		PIEZO/AUTO
WEIGHT		12.3Kg
CARAVAN SIZE RECOMMENDATIONS (UK).		7.9 metres (26 ft) March to October 6.4 metres (21 ft) All Year

SERVICING INSTRUCTIONS

The Gas Safety and Use Regulations 1990 and various British Standards lay down strict requirements for the installation and servicing of LPG appliances installed in domestic premises and mobile homes, such as caravans or motor vans. Carvers operate special training schemes for Dealers and their staff to ensure that they understand these legal and technical requirements when working on Carver LPG appliances. This facility is backed up by a 24 hour on-call system operating from Carver's HQ at 0543 452127.

The installer of the LPG appliance, be it at the Caravan Manufacturer's factory or at the Dealer's site or on the Caravan site itself, carries the first responsibility for the correct installation according to Regulations and these Carver Instructions but this responsibility is carried forward to any service engineer who is required to service or repair the appliance.

If therefore, you are called to a site to service or repair the LPG heater you must ensure that there have been no adverse changes of installation or use since the time of installation or last servicing and complying with Regulations applies just as importantly even if the service engineer's operation is only disconnecting and re-connecting the appliance for attention off the site.

These requirements understandably are directed at the SAFE and EFFICIENT use of the heater. There are no short cuts to safety and you are reminded that you must be properly trained before you work on LPG appliances.

The Carver 3600 STC and 3600 STC Auto are reliable well tried appliance and should give years of satisfactory and trouble free use but like all gas appliances, they need servicing on a routine schedule. The following schedule covers work on the appliances, both in the caravan and when removed from the caravan for attention in the workshop. These are the main headings of the schedule but other work may be required depending on the circumstances at the time of dealing with the heater.

(i) When serviced in the caravan itself and normally working

- (1) Check that the appliance is being used correctly, i.e. there are no fire risks through proximity to shelves and clothing.
- (2) Check that the air inlet and flue outlet are not blocked in any way and are in the correct position on the van; (refer to BS5440 Part 2 for guidance)
- (3) Check the systems for gas tightness;
- (4) Check the flue system for soundness during operation.
- (5) Check that the heater has been installed correctly. Refer to these Installation Instructions especially on the need for proper clearances around the heater;
- (6) Check that the gas supply system is correctly installed and working;
- (7) Check that there are no dangerous hot spots on the heater when in operation; indicated by burnt areas of decorative paintwork;
- (8) Check that the controls operate smoothly and correctly and that the flame failure system works correctly;
- (9) Check the flame structure on the burner itself and see that the ignition system works satisfactorily;
- (10) Now remove the case from the heater, replace any faulty components, clean away all extraneous dust, check the operation of all components and safety devices;
- (11) Check the gas tightness of the installation at the end of the servicing schedule;
- (12) Confirm that the user understands the operation of the heater.
- (13) Ensure that the flue terminal plastic nut (fig. 14) is fully tightened inside the caravan.

(ii) When the appliance is serviced away from the caravan

Servicing the appliance itself in a separate workshop will require, where appropriate, attention to items 2-10 above.

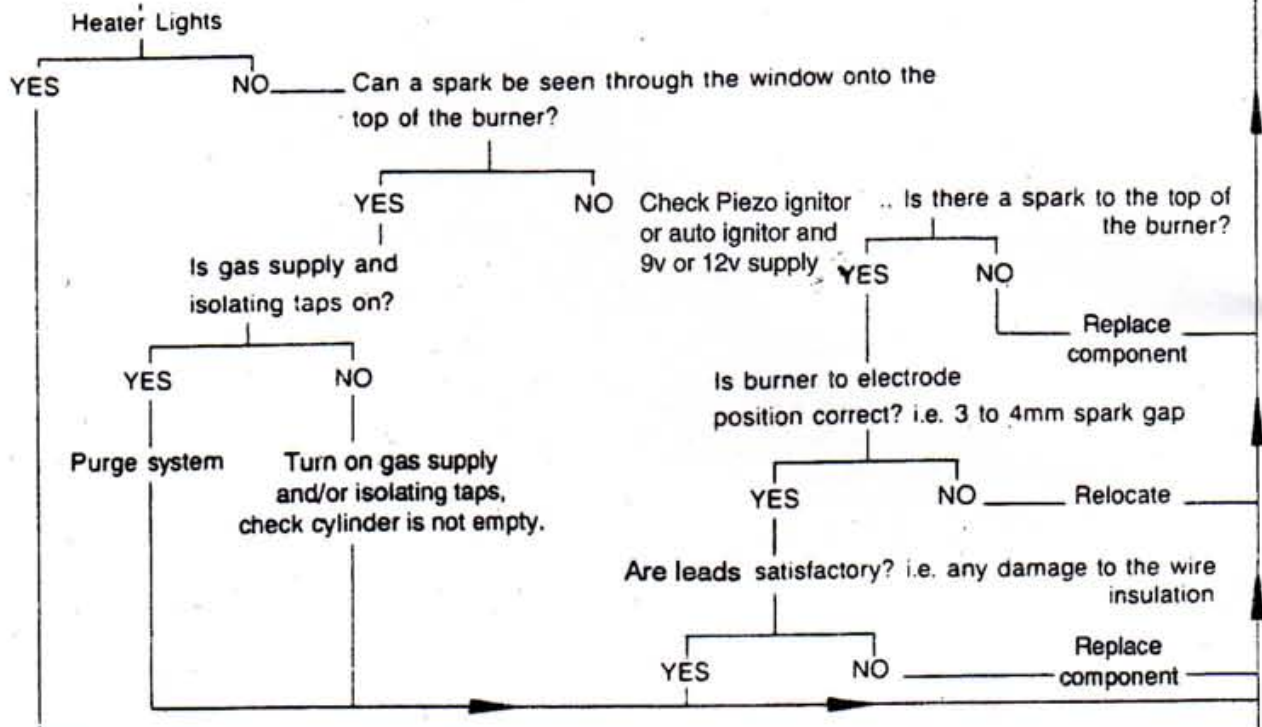
(iii) Fault diagnosis

When called in to diagnose and repair any working fault, even a simple correction will still require you to carry out the standard servicing schedule in case one detectable fault has cloaked other potential faults.

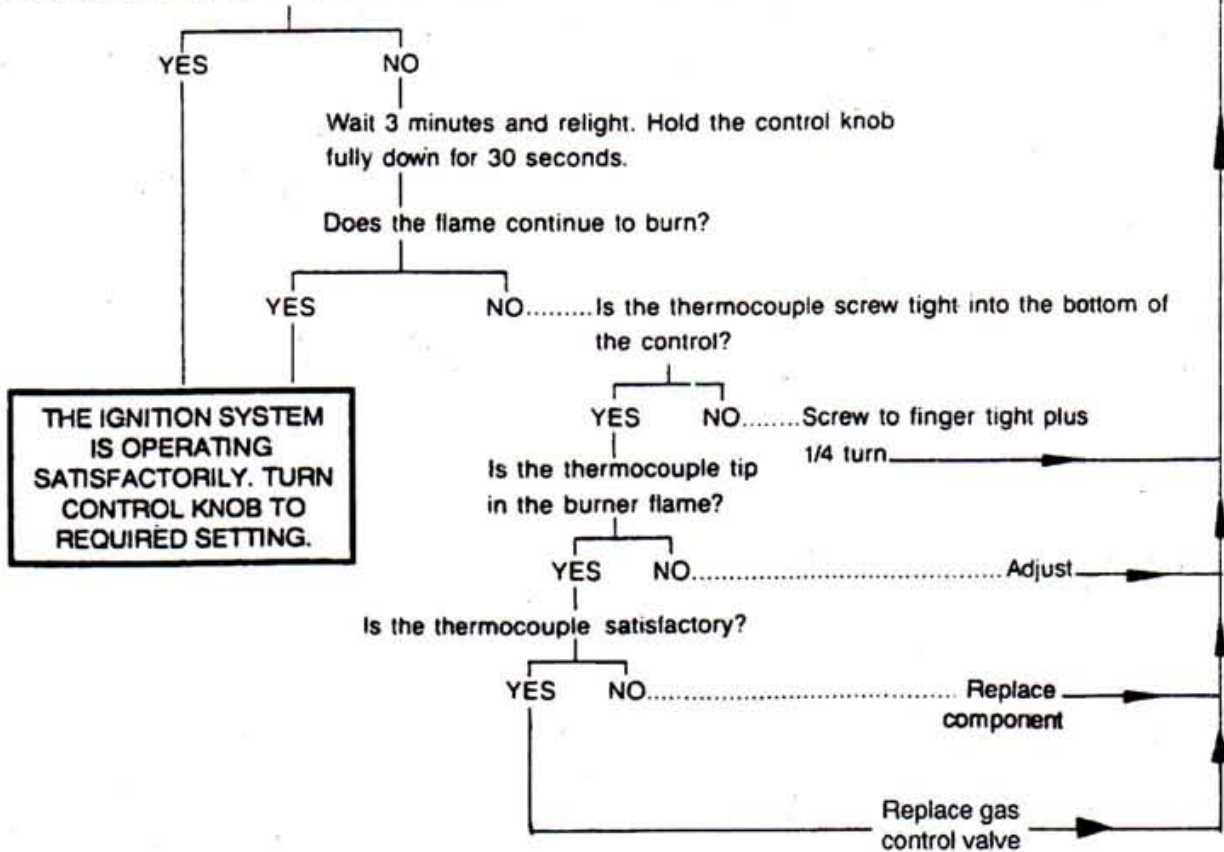
We have included here a fault diagnostic chart to help you to trace faults in the ignition system.

FAULT FINDING

Turn the control knob to pilot / ignition, position and press firmly down



Continue to hold the control knob down for a minimum of twenty seconds. On release of the knob does the flame continue to burn?



CARVER SERVICE: 01543 452122

If you experience difficulties with any Carver product, please contact the dealer from whom it was purchased, or if this is not possible any Carver MAIN DEALER listed below. A Main dealer will also undertake warranty work on all Carver products, regardless of where they were purchased.

Carver & Co. (Engineers) Ltd. now provide three levels of dealership to maintain and repair your appliances. Carver recommend that you should have your Carver products checked annually to ensure trouble free caravanning.

PREMIER DEALER - Premier Dealers have trained staff to service Carver products on any make or type of caravan and carry a comprehensive range of Carver products.

STANDARD DEALER - Standard Dealers have trained staff to service Carver products on any caravan for which they have sold or any model of caravan sold under their franchise and carry a range of Carver products.

SERVICE DEALER - Service Dealers have trained staff to service Carver products on any make or type of caravan.

AVON

PREMIER
Avon County Caravans
Bridgwater Road,
Bedminster Down,
Bristol, Avon BS13 8AE
Tel: 01179 642030 Fax: 01179 780309

Avon Leisure
Hartcliffe Way,
Bristol, Avon BS3 5RU
Tel: 01179 667511 Fax: 01179 636451

Chipping Sodbury Caravans
Badminton Road,
Chipping Sodbury, Nr Bristol,
Avon BS17 6LH
Tel: 01454 318374 Fax: 01454 324751

Davan Caravans Ltd.
St. Georges, Weston Super Mare,
Avon BS22 3JF
Tel: 01934 510606 Fax: 01934 516025

Mendip Caravan Centre
Hewish Filling Station, Hewish,
Weston Super Mare,
Avon BS24 6RT
Tel: 01934 832094 Fax: 01934 876633

STANDARD
Kingswood Caravans
137/145 High Street, Kingswood,
Bristol, Avon BS15 4AG
Tel: 01179 600205 Fax: 01179 618805

BEDFORDSHIRE

PREMIER
Luton Caravan Centre
107 Wingate Road, Luton, Bedfordshire
LU4 8PZ
Tel: 01582 490079 Fax: 01582 504807

BERKSHIRE

PREMIER
Berkshire Caravans
16A Church Lane, Three Mile Cross,
Reading, Berkshire RG6 2DU
Tel: 01734 882950 Fax: 01734 884969

Colins Caravans (Berks)
Bath Road, Aldermaston,
Nr Reading, Berks RG7 5JD
Tel: 01734 712424 Fax: 01734 713010

STANDARD
Berkshire Motor Caravans
Oxford Road, Chieveley, Newbury,
Berkshire RG16 8RU
Tel: 01635 248888 Fax: 01635 247044

BUCKINGHAMSHIRE

STANDARD
Country Caravans
Park Street, Aylesbury,
Bucks HP20 1BX
Tel: 01296 27777 Fax: 01296 27798

White Arches Caravans
168 High Street, Stoney Stratford,
Milton Keynes, Bucks MK11 1AW
Tel: 01908 568245 Fax: 01908 561817

SERVICE
The Caravan Company
Unit 1, Lower End, Waverdon,
Milton Keynes MK17 8AP
Tel: 01908 586000

CAMBRIDGESHIRE

PREMIER
Courtley Caravans Ltd.
The Drift, Elsworth, Cambridge,
Cambs CB3 8JN
Tel: 01954 267280 / 01945 267525
Fax: 01945 267662

Deeping Caravans
Spalding Road, Deeping St. James,
Peterborough, Cambs
Tel: 01778 344848

Ireland Trailers
Weasertam Lane, Wtsbedch,
Cambridgeshire PE13 2RN
Tel: 01945 63161 Fax: 01945 589170

Pioneer Caravans Ltd.
Thorney Road, Eye, Peterborough,
Cambs. PE8 7UB
Tel: 01733 222244 / 222263
Fax: 01733 222004

St. Ives Caravans
Wiggin Hill, Old Ramsey Road,
St. Ives, Cambs. PE17 4LL
Tel: 01480 300621

St. Neots Color Gas
Arlington Road, Eynesbury,
St. Neots, Huntingdon, Cambs. PE19 2EU
Tel: 01480 213007

Welland Holiday Hire & Sales
Postland Road, Crowland, Peterborough,
Cambs. PE6 0JB
Tel: 01733 210560 Fax: 01733 211316

CHESHIRE

PREMIER
Caravan Court
New Platt Lane, Gostyry,
Holmes Chapel, Cheshire CW4 8NN
Tel: 01477 535808

D.B. Caravans
365 Warrington Road, Culcheth,
Nr Warrington, Cheshire WA3 5JQ

Harringtons (Cheshire)
Chesler Road, Delamere,
Nr Northwich, Cheshire CW8 2HE
Tel: 01606 882032 Fax: 01606 889213

North Western Caravans
Earl Road, Cheadle Hulme, Cheshire,
SK8 6QE
Tel: 0161 486 8055 Fax: 0161 466 6755

Spinney Motor Caravans
Chelford Road, Oulton, Knutsford,
Cheshire WA16 8SB
Tel: 01565 624011 Fax: 01565 650228

STANDARD
Caravan Care & Repair
78 Ford Lane, Crewe,
Cheshire CW1 3EH
Tel: 01477 535808

Leisure Sales Ltd.
Brereton Green, Sandbach,
Cheshire CW11 9BD
Tel: 01477 535264 Fax: 01477 535528

SERVICE
Widnes Caravan Centre
8 Croft Street, Widnes,
Cheshire WA8 0NG
Tel: 0151 424 3378

CLEVELAND

PREMIER
West Hartlepool Leisure Ltd.
13 Park View Ind. Est., Brenda Road,
Hartlepool, Cleveland TS25 1PE
Tel: 01429 869811 Fax: 01429 273896

STANDARD
Hadians Caravans
Riverside Estate, Thornaby Place,
Thornaby, Stockton, Cleveland
TS17 6BN
Tel: 01642 679527

CORNWALL

PREMIER
Caralistsure Cornwall
Scorrier, Redruth, Cornwall TR16 5EG
Tel: 01209 820451 Fax: 01209 820116

Coach Craft & Leisure
Unit 2 Hillside Industrial Park,
Scorrier, Redruth, Cornwall
TR16 5AW
Tel: 01209 314065 Fax: 01209 314065
Mobile: 0831 670753

Mount Caravans Ltd.
Daniels Lane, Holmbush, St. Austell,
Cornwall PL25 3LH
Tel: 01726 750556 Fax: 01726 67448

STANDARD
S.S. Gas
Gallows Park, Millbrook, Torpoint,
Cornwall PL11 3AX
Tel: 01752 822523

Tencreek Caravans
Tenreck Caravan Park, West Looe,
Cornwall PL13 2JR
Tel: 01503 268447

SERVICE

Caravan Services
Unit 8C, Kinghill Industrial Estate,
Bude, Cornwall EX23 8QN
Tel: 01288 354268

CO DURHAM

PREMIER
Dave Barron Caravans Ltd. Barron's Great
Outdoors, Buttree Gate (A68), Darlington,
Co. Durham DL2 2XZ
Tel: 01325 467451 Fax: 01325 464850

STANDARD
Robsons of Wolsingham
Durham Road, Wolsingham,
Bishop Auckland, Co. Durham DL13 3HU
Tel: 01388 527242 Fax: 01388 528494

CUMBRIA

PREMIER
Bardsea Leisure Park
Priory Road, Ulverston, Cumbria
LA12 9QE
Tel: 01229 584712 Fax: 01229 580413

Carlisle Caravans Centre
Harker, Nr Carlisle,
Cumbria CA6 4DS
Tel: 01228 745704 Fax: 01228 745704

STANDARD
Fellnew Caravans
Beckermet, Cumbria CA21 2XB

Sevels Caravan Centre Ltd.
High Hesket, Nr Carlisle,
Cumbria CA4 0JN
Tel: 01697 473407 Fax: 01697 473407

DERBYSHIRE

PREMIER
Autocraft Motor Caravans
Speedwell Industrial Estate,
Fan Road, Slawesley, Chesterfield,
Derbyshire S43 3PT
Tel: 01246 471199 Fax: 01246 471199

Brookside Caravans
8 Main Street, Breedon On The Hill,
Derby Derbyshire DE7 1AN
Tel: 01332 662623 Fax: 01332 662623

Loosa Caravan Services
Hallam Fields Road, Ilkeston, Derby,
Derbyshire DE7 4AZ
Tel: 01159 309322 Fax: 01159 309322

Dens Hanley & Co. Ltd.
Unit 1D, Plot 6 Eagle Road,
Quarry Hill Ind. Estate, Ilkeston,
Derbyshire DE7 4DA
Tel: 01159 440710

Derby Caravan & Leisure Centre
998 London Road, Alvaston, Derby,
Derbyshire DE24 8QA
Tel: 01332 572207 Fax: 01332 757069

Don Amott Caravans Ltd.
Hilton, Nr Derby,
Derbyshire DE65 5FJ
Tel: 01283 732193 Fax: 01283 734540

Glossop Caravans
Main 57, Brookfield, Glossop,
Derbyshire SK13 9JE
Tel: 01457 868011/865215

Goodalls Caravans
Nottingham Road, Spondon, Derby,
Derbyshire
Tel: 01332 663191

Robinson Caravans
Ringwood Road, Brimington,
Chesterfield, Derby S43 1DG
Tel: 01246 230000 Fax: 01246 204204

STANDARD
J & R Camping
Hilton, Derby, Derbyshire DE65 5EJ
Tel: 01283 733525 Fax: 01283 734812

DEVON

PREMIER
Ashburn Caravans Ltd.
Chulsey Road, Ashburton, Devon

Caracamp
53 Union Street, Plymouth,
Devon PL1 3LU
Tel: 01752 664695

Compass Caravans
Higher Brooks Plantation, Teigngrace,
Newton Abbot, Devon TQ12 9QZ
Tel: 01626 832792

Martins Caravan Co
39/43 Pinnhill, Exeter, Devon EX1 3TH
Tel: 01392 466211 Fax: 01392 466544

Mullacott Caravan Centre
Mullacott Cross, Ilfracombe,
Devon EX34 8NB
Tel: 01271 862212

Pathfinder Park Homes Ltd.
Pathfinder village, Tedburn St. Mary,
Exeter, Devon EX6 6BU
Tel: 01647 61794 Fax: 01647 61188

STANDARD
Tamar Valley Caravans
Gurworthy, Tavistock, Devon PL19 8JE
Tel: 01822 832357 Fax: 01822 834174

Plymouth Motor Caravans
Lee Hill, Ivybridge, Plymouth,
Devon PL21 9EE
Tel: 01752 892977 Fax: 01752 891230

DORSET

PREMIER
Caravan & Camping Shop
13 Marlow Drive, St. Catherine's Hill,
Christchurch, Dorset
Tel: 01202 487347

Hargold Leisure
152 Stanley Green Road, Poole,
Dorset BH15 3AH
Tel: 01202 668554 Fax: 01202 668554

Prestonstar Ltd.
Great Western Ind. Centre, West Station
Yard, Dorchester, Dorset DT1 1SA
Tel: 01305 269400 Fax: 01305 260751

Dorset Leisure Centre
Newlands Bridge, Charmouth,
Dorset DT6 6CZ
Tel: 01297 560473

Weymouth Caravan Centre
Humphreys Garden Centre, Littlemoor Road
Preston, Nr. Weymouth Dorset DT3 6AD
Tel: 01305 834518

Wimbome Caravans Ltd.
Lakeside, Dorchester Road, Wimbome,
Dorset BH21 3HA
Tel: 01202 888601 Fax: 01202 842808

STANDARD
Blackmore Vale Leisure
Shirbourne Causeway, Shaftesbury,
Dorset SP7 9PX
Tel: 01747 857497

ESSEX

PREMIER
Homeslad Caravans Ltd.
Thorpe Road, Weeley, Essex CO16 9JN
Tel: 01255 830671 Fax: 01255 831406

Essex Motor Caravan Centre
Dunmow Road, Takeley, Essex CM22 6SJ
Tel: 01279 870755 Fax: 01279 870041

Valley Farm Camping Ltd.
Valley Road, Clacton on Sea,
Essex CO15 6LY
Tel: 01255 424422 Fax: 01255 422484

STANDARD
Cross Country
Maldon Road, Hatfield Peverel,
Chelmsford, Essex CM3 2JP
Tel: 01245 380605 Fax: 01245 380956

Global Caravan Centre
Roydon Mill Caravan Park, Roydon,
Nr. Harlow, Essex CM19 5EJ
Tel: 01279 792777 Fax: 01279 792695

Uppminster Caravans Ltd.
A13 New Road, Rainham,
Essex RM13 9EB
Tel: 01708 865611

SERVICE
A.K. Leisure Sales
C/O Daniels Farm, Wash Road, Basildon,
Essex SS15 4AZ
Tel: 01268 530615 Fax: 01268 530615

GLOUCESTERSHIRE

PREMIER
Cross Country
A38 Roundabout, Bristol Road,
Gloucester, Glos GL2 6ES
Tel: 01452 529237 Fax: 01452 307228

Forrest of Dean Caravans
Park End, Lydney, Glos GL15 4JN
Tel: 01594 562206 Fax: 01594 563363

Golden Castle Caravans
Stratford Bridge, Nr Tewkesbury,
Gloucestershire GL20 6HE
Tel: 01684 592201 Fax: 01684 594691

Golden Castle Caravans
Staverton Airport, Cheltenham Road East,
Gloucester, Gloucestershire GL2 9QL
Tel: 01452 713311 Fax: 01452 856538

McIntyre Caravans
Hempstead Bridge, 312-318 Bristol Road,
Gloucester, Gloucestershire GL2 6DH
Tel: 01452 410710 Fax: 01452 309970

Pearman Briggs Leis. Ltd.
224 Cheltenham Road, Gloucester,
Glos GL2 0JW
Tel: 01452 547005/54192 Fax: 01452 309679

GREATER LONDON

PREMIER
Turners Motor Caravan Centre
11A Barry Road, London SE22 0HZ
Tel: 0181 893 1132

GREATER MANCHESTER

PREMIER
Jacks Bros. Caravan Centre
53 Manchester Road, Clifton, Swinton, Gr
Manchester, M27 8WZ
Tel: 0161 793 8000 Fax: 0161 794 6360

Progress Caravans
1050 Manchester Road, Castleton,
Rochdale, Lancashire OL11 2XJ
Tel: 01706 44095 Fax: 01706 861727

HAMPSHIRE

PREMIER
Chichester Caravans
Main Road, Colden Common,
Nr Winchester, Hampshire SO21 1TD
Tel: 01962 714844 Fax: 01962 714913

Green Pennant Caravans
West End Road, Bursledon, Southampton,
Hampshire SO3 8BP
Tel: 01703 405122 Fax: 01703 402599

Hampshire Caravans
Winchester Road, Popham, Winchester,
Hampshire SO21 3BJ
Tel: 01256 397304 Fax: 01256 398179

Hants & Dorset Caravans, London Road,
Purbrook, Portsmouth, Hampshire
Tel: 01705 374921 Fax: 01705 201085

Krueger Limited
Unit 16, Queensway, Stem Lane Ind. Est.
New Milton, Hampshire BH25 5NN
Tel: 01425 619869 Fax: 01425 638640

South Of England Caravans
51 Portsmouth Road, Liphook,
Hampshire GU30 7EE
Tel: 01428 724160 Fax: 01428 723528

STANDARD
Fleet Caravans Ltd
Grange Estate, Church Crookham, Fleet,
Hampshire GU13 0QR
Tel: 01252 614000

Greenford Caravan Co.
Brickhouse Hill, Fleet Road, Eversley,
Basingstoke, Hampshire RG27 0PY
Tel: 01734 328328

Leisure Fayre
36 High Street, Lyndhurst,
Hampshire SO43 7BG
Tel: 01703 283445

Viscount Caravans, Swan Garden Centre,
Mansbridge Road, West End,
Southampton, Hampshire SO3 3HW
Tel: 01703 466918

SERVICE
Avonbridge Repair Service
The Old Foundry, Stuckton, Fordringbridge,
Hampshire SP6 2HG
Tel: 01425 654353

Marquis Service Centre
Winchester Road, Lower Upham
Southampton, Hampshire S63 1HA
Tel: 01489 860660 Fax: 01489 860825

Springfield Leisure
48 Longmore Road, Liphook,
Hampshire GU30 7NY. Tel: 01428 724398
Fax: 01428 724398 Mobile: 0831 306057

HEREFORD & WORCS

PREMIER
Cross Country (Bromsgrove)
Worcester Road, Upton Warren,
Bromsgrove, Worcs B61 7EX
Tel: 01527 831515 Fax: 01527 575171

Chichester (Stourport)
Vale Road, Stourport on Severn,
Worcs DY13 8YJ
Tel: 01299 825221 Fax: 01299 827385

Hereford Caravan Centre
Holmer Road, Hereford, HR4 9RX
Tel: 01432 269476 Fax: 01432 356117

Wyeside Caravans Ltd.
Bishops Wood, Ross-On-Wye,
Herefordshire HR9 5QX
Tel: 01594 860303 Fax: 01594 860342

HERTFORDSHIRE

PREMIER
Herts & North London Caravans
Bremners Garage, (A1000), Hatfield,
Hertfordshire AL9 5SD
Tel: 01707 262875 Fax: 01707 270624

Hitchin Caravan Centre
C/O Harkness Rose Gardens,
Cambridge Road, Hitchin, Herts SG14 0JT
Tel: 01462 452856 Fax: 01462 422518

STANDARD
Bowers Motor Co (Harpenden)
Greenlawn, Kingsbourne Green,
Harpenden, Herts AL5 3FN
Tel: 01582 761567 Fax: 01582 462863

SERVICE
M.G. Caravan Service Centre
Unit 16 Hertford Ind. Est. Gaxton Hill,
Hertford, Herts SG13 7NF
Tel/Fax: 01992 504990
Mobile: 0831 866761

HUMBERSIDE

PREMIER
Springfield Caravans Ltd.
Market Place, Homsea,
Humberside HU18 1DF
Tel: 01964 532253 Fax: 01964 535530

T.C. Caravan Repairs
Caravan Centre, Brough Road, South
Cave, Humberside HU15 2DB
Tel: 01430 423950 Fax: 01430 421548

Vatfree Caravan Repairs
Swinemoor Lane, Slepney Compout,
Beverley, Humberside HU17 0JS
Tel: 01482 872066 Fax: 01482 870089

STANDARD
Danfast Ind. & Leisure
English Street, Hull, Humberside HU320Z
Tel: 01482 24052 Fax: 01482 20929

Waudby's Caravan Centre
Brough Road, South Cave, Hull,
Humberside HU15 2DB
Tel: 01430 422523 Fax: 01430 421548

KENT

PREMIER
Arthur Fitt Caravans
Sweechbridge Road, Hillborough,
Nr Herne Bay, Kent CT6 6TE
Tel: 01227 373848 Fax: 01227 740901

Lee Davey Group Ltd.
Maidstone Division, East Street,
Harrietsham, Kent ME17 1HN
Tel: 01622 859301 Fax: 01622 859618

Milestone Caravans
32/34 Canterbury Road, Hawtings,
Nr Folkstone, Kent CT18 7BP
Tel: 01303 892869 Fax: 01303 891037

Orpington Caravan Centre
Green Street Green, Orpington,
Kent BR6 7LR
Tel: 01689 855661 Fax: 01689 850794

Songhurst, (Leisure Shop)
242 London Road, West Malling,
Kent ME19 5AU
Tel: 01732 845399 Fax: 01732 844537

V.A.S. (Kent) Ltd
Vauxhall Place, Lowfield Street, Dartford, Kent
Tel: 01322 22835 Fax: 01322 288352

STANDARD
Bromley Motor Caravans
55/65 Abbey Road, Belvedere,
Kent DA17 5DG
Tel: 0181 311 3500 Fax: 0181 311 2607

Camping International
Clock Tower House, Watling Street,
Gillingham, Kent ME7 1VX
Tel: 01634 577326 Fax: 01634 280155

Cross Country (St)
London Road, Sittingbourne,
Kent ME10 1CA
Tel: 01795 472185 Fax: 01795 425271

Kent Camping Holidays
39-41 High Street, Chatham,
Kent ME4 4EN
Tel: 01634 845152 Fax: 01634 831135

LANCASHIRE

PREMIER
Burlingham Caravans Ltd.
By Pass Road A6, Cabus, Garstang, Lancs
PR3 1PJ
Tel: 01995 802145 Fax: 01995 601429

Campbells Caravans
Lancashire Enterprise Business Park,
55 County Close, Leyland, Lancs PR5 1TZ
Tel: 01772 627627

Campbells Caravans Ltd.
Watkin Lane, Lostock Hall, Preston,
Lancs PR5 5RD
Tel: 01772 627627 Fax: 01772 627720

Dave Barron
Chapel Lane, Coppull, Chorley,
Lancs PR7 4NB
Tel: 01257 793377 Fax: 01257 793925

Harringtons Caravans
Whitebirk Drive, Blackburn,
Lancs BB1 3HS
Tel: 01254 54222 Fax: 01254 679336

Harringtons Caravans
Service Centre, Greenbank Business Park,
Blackburn, Lancashire BB1 13A
Tel: 01254 890600 Fax: 01254 605383

Leisure Accessories
T/A The Leisure Shop, C/O Dave Barron
Caravans Ltd., Chappell Lane, Coppull,
Chorley, Lancashire PR7 4NB
Tel: 01257 793377

M. G. Caravan Co. Ltd.
Burnley Road, Todmorden,
Lancs OL14 7DJ
Tel: 01706 812832 Fax: 01706 818320

Preston Caravan Centre
Croston Road, Lostock Hall, Preston,
Lancs PR5 5YJ
Tel: 01772 35093 Fax: 01772 324223

Stewart Longton Caravans
North West Caravans, 70 Slyns Road,
Bolton-le-Sand, Carnforth, Lancs LA5 8AL
Tel: 01524 822270 Fax: 01524 824273

Stewart Longton Caravans
Friday Street, Off Slump Lane, Chorley,
Lancs PR6 0AH
Tel: 01257 279921 Fax: 01257 241877

Todds Mobile Leisure Ltd.
Cootle Lane, Lostock Hall, Preston,
Lancs PR5 5HS
Tel: 01772 35360 Fax: 01772 627853

W. & A. Hartley Ltd.
Blackpool Road, Kirkham, Nr Preston,
Lancs PR4 2RE
Tel: 01772 683868/685592
Fax: 01772 671840

Whitford Caravan Centre
Marlborough Street, Healeywood Ind. Est.
Burnley, Lancs BB11 2HP
Tel: 01282 420029 Fax: 01282 454610

STANDARD
Callender Caravans Ltd
Scotland Road, Carnforth,
Lancs LA5 8RF
Tel: 01524 732224 Fax: 01524 732226

Caravan Care Services
Marion Mere Caravan Park
Mythop Road, Marton, Blackpool,
Lancashire FY4 4XN
Tel: 01253 765783 Fax: 01253 839111

Caravans Services Melling
Socburn House, Melling,
Carnforth, Lancs LA5 2QY

Emm-Bee Caravans
(Fleetgrace) Limited, Prettywood,
Bury, Lancs BL9 7HX
Tel: 0161 797 2988

Shipleys (Ashton-u-Lyne)
Roaches Lock, Manchester Road,
Mossley, Lancs OL5 9BL
Tel: 01457 835553 Fax: 01457 835790

Stewart Longton (Standish)
A49 Preston Road, Standish, Nr Wigan,
Lancs WN6 0JH
Tel: 01257 279921 Fax: 012574 41877

Stewart Longton, (Blackpool)
228 Common Edge Road, Marton,
Blackpool, Lancs FY4 5DH
Tel: 01253 763133 Fax: 01253 798108

SERVICE
Crossley Coachcraft
Unit 33A Comet Road, Moss Side Ind. Est.
Leyland, Lancashire PR5 3QN
Tel: 01772 623423 Fax: 01162 610707

LEICESTERSHIRE

PREMIER
The Caravan Shop
St. Margaret's Way, Leicester, LE4 0BT
Tel: 01162 536767 Fax: 01162 530222

Caravans Services Leics.
17 Abbey Court, Wallingford Road,
Leicester, Leics LE4 5RD
Tel: 01162 668948 Fax: 01162 610707

Leicester Caravan & Leisure
50 Oswin Road, Brailsford Ind. Park,
Off Hinkley Road, Nr Wester Park,
Leicester, Leics LE3 1HR
Tel: 01162 470740 Fax: 01162 470865

Priory Caravan Centre
Ashby Road Central, Shepshed,
Nr Loughborough,
Leics LE12 9EF
Tel: 01569 508951 Fax: 01509 650917

STANDARD
Caravan Corner (Hinckley)
67-79 Netherley Road, Hinckley,
Leicester, Leics Tel: 01455 613808

Dodwells (Camping) Ltd.
Watling Street, Hinckley,
Leics LE10 3ED
Tel: 01455 632625 Fax: 01455 250223

G. C. Smith (Coachworks)
Long Whatton, Loughborough,
Leics LE12 5BY
Tel: 01509 842451

J. R. Leisure (Leics)
Oswin Road, Brailsford Ind. Park,
Hinckley Road,
Leicester LE3 1HR
Tel: 01162 551595 Fax: 01162 471186

SERVICE
Charmwood Caravan Service
74 St Bernard Road, Whiteick, Coalville,
Leics LE87 5GU Tel: 01530 837314
Mobile: 0838 603668

LINCOLNSHIRE

PREMIER
Alan Kerr (Caravan Maint.)
The Haven, Wharf Lane, Kirby-on-Bain,
Woodhall Spa, Lincs LN10 6YW
Tel: 01526 352482

Brayford Leisure Caravan Centre Ltd.
Trilton Road, Lincoln, Lincolnshire LN6 7RU
Tel: 01522 886996 Fax: 01522 687006

Couplands Caravans
Tatteshall Way, Louth, Lincs LN11 1AH
Tel: 01507 603496/600624
Fax: 01507 605793

J. Carlisle
5 Haze Lane, North Hykeham, Lincoln,
Lincs LN6 9SR
Tel: 01522 681838 Fax: 01522 866526

Kirton Caravans Ltd.
Station Road, Kirton Lindsey,
Gainsborough, Lincs DN21 4JR
Tel: 01652 848589 Fax: 01652 640078

Sutterton Caravan & Camp.
Post Office Land, Sutterton, Boston,
Lincs PE20 2EB
Tel: 01205 460485 Fax: 01205 460162

Torksey Caravans
Lincoln Road, Torksey, Lincs LN1 2EL
Tel: 01427 718226 Fax: 01427 718941

STANDARD
Adams Of Stamford Ltd, Uffington Road,
Stamford, Lincoln, Lincs PE9 3AJ

Lincolnshire C. aravans
124 Roman Bank, Skegness,
Lincs PE25 1RX
Tel: 01745 762101 Fax: 01745 761091

Towbar Techniques
Unit 6, Spalding Rd Bus Park, Spalding
Road, Bourne, Lincs
Tel: 01778 393686

MERYSIDE

PREMIER
Wirral Caravans Ltd
389 Hoylake Road, Moreton Wirral,
Merseyside L46 0RW
Tel: 0151 605 0770 Fax: 0151 605 0641

U-Tow Caravans Ltd
Poole Hall Ind. Est., Netherpool Road,
Ellesmere Port, Merseyside L68 1SP
Tel: 0151 357 3378 Fax: 0151 357 3544

MIDDLESEX

PREMIER
United British Caravans
Colbrook By-Pass, West Drayton,
Middlesex UB7 0NE
Tel: 01753 682606 Fax: 01753 683937

STANDARD
Enfield Leisure
Jule Lane, Brimsdown, Enfield,
Middlesex EN3 7FJ
Tel: 0181 804 5486 / 0181 805 3214
Fax: 0181 805 3214

NORFOLK

PREMIER
Anglia Caravans (Sheringham) Ltd.
Weybourne Road, Sheringham,
Norfolk NR26 8HF
Tel: 01263 822172 Fax: 01263 825627

Brian J. Allen Caravans
Austin Fields Ind. Estate, Kings Lynn,
Norfolk PE30 1PH
Tel: 01553 761813

Caravan Service Norwich
Unit 4, Bessmer Road, Norwich,
Norfolk NR4 6DQ
Tel/Fax: 01603 623102

Drayton Caravans
231 Heigham Street, Norwich,
Norfolk NR2 4LN
Tel: 01603 628961 Fax: 01603 219029

Greentrees Caravans
Norwich Road, Dereham,
Norfolk NR20 3PX
Tel: 01362 696434 Fax: 01362 694044

Norwich Caravans
Bishops Bridge Road, Ketts Hill,
Norwich, Norfolk NR1 4ES
Tel: 01603 626641 Fax: 01603 632605

Orchard Caravans
Great Eastern Way, Wells, Norfolk
NR23 1LY
Tel: 01328 710394 Fax: 01328 711704

Pentney Park Caravans
Pentney, Kings Lynn, Norfolk PE32
1HU
Tel: 01760 337479 Fax: 01760 338118

Suart Day Caravan Services
Unit 5 & 7 Owen Road, Hartneys Ind.
Estate, Great Yarmouth,
Norfolk NR31 0NA
Tel: 01493 443636 Fax: 01493 443644

Whiteley & Hines Ltd.
Units 3-4 Zobel Close, Sweetbair Road
Ind. Est., Norwich, Norfolk NR3 2BY
Tel: 01603 488884 Fax: 01603 488084

Peter Wells Caravans
Station Street, Swaffham, Norfolk PE37
7HP
Tel: 01760 722277

Simpsons Garage (Gt Yarmouth) Ltd.
Suffolk Road, Great Yarmouth,
Norfolk NR31 0NA
Tel: 01493 601896 Fax: 01493 657447

STANDARD
Fakenham Gas & Leisure
1 & 3 North Drive, Fakenham,
Norfolk NR21 8HA
Tel: 01328 863115 Fax: 01328 851026

H. John Mallett Ltd.
Caravan Centre, Hardwick Road,
Kings Lynn, Norfolk PE30 4HT
Tel: 01553 773876

Norwich Camping & Caravans
17 South Hill Road, Thorpe St Andrew,
Norwich, Norfolk NR7 0PQ
Tel: 01603 34394 Fax: 01603 300875

NORTHAMPTONSHIRE

PREMIER
Broad Lane Caravans
Toll House, A5 Watford Gap,
Northants NN8 7UJ
Tel: 01327 703371 Fax: 01327 78517

White Arches Caravans
Wellington Road, Rushden,
Northants NN10 9AY
Tel: 01933 53818 / 50042
Fax: 01933 410252

Erike Caravans
39 Northampton Road, Blisworth,
Northampton NN7 3DW
Tel: 01804 858331 Fax: 01804 859162

Tower Caravans
Inthorpe Road, Finedon,
Northants NN9 5EJ
Tel: 01933 680200 Fax: 01933 680555

STANDARD
Brentnere Ltd.
18 Mallard Close, Earls Barton,
Northants. Tel: 01804 810700

Time Leisure Ltd.
Nene Court, The Embankment,
Wellingborough, Northants NN8 1LD
Tel: 01933 440207 Fax: 01933 227049

NOTTINGHAMSHIRE

PREMIER
Brownhills Motor Caravans Ltd.
A1/A46 Junction, Newark, Notts NG24
2EA
Tel: 01636 704201 Fax: 01636 640220

Kimberley Caravan Centre
Eastwood Road, Kimberley,
Notts NG16 2HX
Tel: 01159 382401 Fax: 01159 459352

Lowdham Caravan Centre
Lowdham Road, Gunthorpe
Notts NG14 7EN
Tel: 01159 663638 Fax: 01159 663124

Midland Counties Caravans
Daleside Road East, Nottingham,
Notts NG2 4BP
Tel: 01159 870538 Fax: 01159 876273

Rainbow Leisure
Oaktree Lane, Mansfield, Notts NG18
3HG
Tel: 01623 636373 Fax: 01623 636205

STANDARD
Glenns of Leen Valley
Leen Valley House, 33 Cinderhill Road,
Bulwell, Nottingham, Notts NG6 8RE
Tel: 01159 272744 Fax: 01159 761054

Robinsons Caravans
Galeford Road, Worksop, Notts S81
7AT. Tel: 01909 475220

Seiston Caravan Centre
Mansfield Road, Seiston, Nottingham,
Notts NG16 6BD
Tel: 01773 810536 Fax: 01773 810535

OXFORDSHIRE

PREMIER
Centre Caravans
Oxford Road, Tiddington, Oxford,
Oxfordshire OX9 2LL
Tel: 01844 339566 Fax: 01844 339534

Cross Country
Shillingford Hill, Wallingford,
Oxfordshire OX10 8LN
Tel: 01865 858425 Fax: 01865 858791

CTC Leisure
89-91 Com Street, Witney, Oxford,
Oxfordshire OX7 2HH
Tel: 01993 771080 Fax: 01993 702034

Kidlington Caravans
208 The Moors, Kidlington,
Oxfordshire OX5 2AD
Tel: 01865 374572

SHROPSHIRE

PREMIER
Telford Caravan Centre
Holyhead Road, Oakengates, Telford,
Shropshire TF2 6BB
Tel: 01952 612233 Fax: 01952 620396

STANDARD
Jabez Barker (Shrewsbury)
Mountford Bridge, Shrewsbury,
Shropshire SY4 1EF
Tel: 01743 850423 Fax: 01743 850196

Salop Caravans Ltd
Meole Brace, Shrewsbury,
Shropshire SY3 7QZ
Tel: 01743 355551 Fax: 01743 369786

SOMERSET

PREMIER
Highbridge Caravan Centre
7 Bristol Road, Highbridge,
Burnham on Sea, Somerset TA9 4EX
Tel: 01278 782725 Fax: 01278 792049

Northam Farm Caravan Park
Brean Sands, Burnham on Sea,
Somerset TA8 2SE
Tel: 01278 751244 Fax: 01278 751150

Wessex Caravan Centre Ltd
Station Road, Wanborough, Shepton
Mallet, Somerset, BA4 4SY
Tel: 01749 850338 Fax: 01749 850335

STANDARD
Castle Cary Caravans
Castle Cary, Somerset BA7 7PF
Tel: 01963 51014

Elmside Caravans
Farm Road, Street, Somerset BA16
0JB, Tel: 01458 43151

Southfolk Caravans & Leisure
Parrett Works, Marlock, Somerset
TA12 6AE, Tel: 01935 825661

West Country Motorhomes
Turnpike Road, Lower Weare,
Nr. Axbridge, Somerset BS26 2JG
Tel: 01934 732503

SERVICE
Taunton Caravan Services
Gravelands Lane, Henlade, Taunton,
Somerset TA3 5DL
Tel: 01823 443491

STAFFORDSHIRE

PREMIER
Carnock Caravans
Longford Island, Carnock Staffs WS11
1SH
Tel: 01543 577011 Fax: 01543 462456

Carnock Caravans Service Centre
Farway, Off Delta Way, Bridgetown,
Carnock, Staffs WS11 3DJ
Tel: 01543 572796 Fax: 01543 506512

Lowe & Rhodes Caravans
Victoria Road, Fenton,
Stoke On Trent, Staffs ST4 2HU
Tel: 01782 212871

North Staffs Caravans
Stonewall Place, Newcastle Road,
Saverdale, Newcastle, Staffs SP5 6NR
Tel: 01782 622581 Fax: 01782 711287

Potteries Caravan Centre
Sneyd Hill, Smallthorne, Stoke-On-Trent,
Staffs ST6 2DZ
Tel: 01782 577414 Fax: 01782 575709

STANDARD
Burton Trailer Centre
Burton Road, Branist n, Burton On
Trent
Staffs DE14 3DP
Tel: 01283 544134 Fax: 01283 510665

Leighfield Caravans
Main Street, Alrewas, Burton On Trent,
Staffs DE13 7AB
Tel: 01283 791792 Fax: 01283 791792

SUFFOLK

PREMIER
Barry Sharman Caravans
The Caravan Centre, Colchester Road,
Ipswich, Suffolk IP4 4RU
Tel: 01473 713284/728238
Fax: 01473 273166

Brian Fuller Caravans Ltd.
Main A12, Farnham, Nr. Saxmundham,
Suffolk IP17 1LE
Tel: 01728 602858 Fax: 01728 604407

Elmer Caravans Ltd.
38 Gosler Road, Martlesham Heath,
Nr. Ipswich, Suffolk IP5 7RD
Tel: 01473 822715 Fax: 01473 610334

Falcon Caravans,
Caravan Chalet Supplies, Main Road,
Kesgrave, Ipswich, Suffolk IP5 7PL
Tel: 01473 822200 Fax: 01473 610429

Fuller Leisure
Lower Road, Glemsford, Suffolk
Tel & Fax: 01787 290263

M & M Leisure Centre
Field Road, Mildenhall, Suffolk IP28 7AL
Tel: 01638 714095 Fax: 01638 717016

Newmarket Caravan Centre
The Oaks Business Park, Oaks Drive,
Newmarket, Suffolk CB8 7SX
Tel: 01638 862222 Fax: 01638 660990

Outney Meadow Caravan Park
LP Gas Sales and Service, Bungay,
Suffolk NR35 1HG
Tel: 01986 892338

Slowmarket Caravan Sales
Bury Road, Slowmarket, Suffolk IP14
1JF
Tel: 01449 612677 Fax: 01449 770617

SERVICE
Suffolk Caravans
4a Felix Road, Ipswich, Suffolk IP3 9HU
Tel: 01473 721540 Mobile: 0836647163

SURREY

PREMIER
Chichester Caravans
18A Brighton Road, Salfords, Redhill,
Surrey RH15 8X
Tel: 01737 766266 Fax: 01737 765951

Michael Jordan (Gomshall)
Station Approach, Gomshall,
Surrey GU5 9HX
Tel: 01483 203335 Fax: 01483 202780

STANDARD
Bilbos Trading Co.
Marfield, South Godstone, Surrey RH9
8UJ
Tel: 01342 892499

Fellow Green Caravans
The Old Goods Yard, Witley Station,
Wormley, Surrey GU8 5TB
Tel: 01428 684925

Sandhurst Caravans
The Mart, College Town Camberley,
Surrey. Tel: 01276 32121

Southern Cross Campers
London Road, Bagshot,
Surrey GU15 5HN
Tel: 01276 45211 Fax: 01276 75056

Tam Leisure Ltd.
180-186 Kingston Road, New Malden,
Surrey KT3 3RD
Tel: 0181 949 5435 Fax: 0181 949 8287

SERVICE
L.J. Selway Ltd.
Beddington Lane, (Opposite Mile
Road), Croydon, Surrey CR9 4EZ
Tel: 0181 663 0619 Fax: 0181 665 1056

SUSSEX

PREMIER
Carrngdale Motors Ltd.
Bury Gate, Pulborough,
West Sussex RH20 1NW
Tel: 01798 831304 Fax: 01798 831740

Chichester Caravans
A259 Nutbourne, Chichester,
West Sussex PO18 8RL
Tel: 01243 377441 Fax: 01243 374428

Chichester (UCK)
London Road, Uckfield,
East Sussex, TN22 2EA
Tel: 01825 784151 Fax: 01825 763654

Cross Country (Hurst Green)
London Road, Hurst Green,
Sussex, TN19 7PN
Tel: 01580 860260 Fax: 01580 860769

Roundstone Caravan Depot
Worthing Road, Southwater,
Nr. Horsham, Sussex RH13 7HA
Tel: 01403 730218 Fax: 01403 732828

D.D. Motorhomes Ltd.
Eastbourne Road, Hailand,
Sussex BN8 6PS
Tel: 01825 840723 Fax: 01825 840454

Tales Caravans Ltd.
Hornbrook Park A281 Brighton Road,
Horsham, West Sussex RH13 6QA
Tel: 01403 255458 Fax: 01403 270083

STANDARD
Coastal Caravans & Camping
24 Lotbridge Drive, Eastbourne,
East Sussex BN23 6NS
Tel: 01323 639449

Studland Caravans Ltd.
Crowland Road, Crowborough,
Sussex, TN6 2RN
Tel: 01892 652109 Fax: 01892 652100

Sussex Caravan Centre
A24 London Road, Ashington,
West Sussex RH20 3BT
Tel: 01903 893666 Fax: 01903 893777

TYNE & WEAR

PREMIER
North Eastern Caravans
Algernon Ind. Est., New York Road,
Shiremoor, Newcastle, Tyne And Wear
NE27 0NB
Tel: 0191 252 2337 Fax: 0191 252
4867

Ropers Caravan World
Peel Centre, Glover Ind. Est. East,
District 10, Washington, Tyne And Wear
NE37 2PA
Tel: 0191 419 1631 Fax: 0191 419
1235

Tyneside Caravans
Portobello Trading Est., Birley,
Tyne And Wear DH3 2SN
Tel: 0191 410 5221 Fax: 0191 410
2303

United British Caravans
Old Road, Akerby, Newcastle-
Upon-Tyne, Tyne & Wear NE3 5HE
Tel: 0191 236 3158 Fax: 0191 217 0850

WARWICKSHIRE

PREMIER
Broadlane Caravans
Warwick Road, Leek Woodon,
Nr. Kenilworth, Warwickshire CV35 7RD
Tel: 01926 58880 Fax: 01926 513110

Broadlane Caravans
Birmingham Road, Kings Coughton,
Alcester, Warwickshire B49 5QD
Tel: 01789 763432 Fax: 01789 762564

Broad Lane Caravans Ltd.
1 Somers Road, Rugby,
Warwick CV22 7DB
Tel: 01788 542672 Fax: 01788 546109

Caravan Care Centre
c/o Raymond James Caravans, 245
Torrington Avenue, Coventry,
Warwickshire CV4 9HN

Jacksons Of Old Arley
Arley Trading Estate,
Coventry, Warwick CV4 9AP
Tel: 01676 40878 Fax: 01676 41727

Meriden Caravan & Leisure
Old Birmingham Road, Menden,
Warwick CV7 7JS
Tel: 01676 522292 Fax: 01676 523634

Pedleys Caravans
289 Goodyears End Lane, Exhall
Coventry, Warwickshire CV12 0HX
Tel: 01203 644883 Fax: 01203 644249

Princethorpe Caravan Supplies
Stockley Spinney, Rugby Road,
Princethorpe, Warwickshire CV29 9PM
Tel: 01926 633494 Fax: 01926 632226

Select Caravans
Kaniworth Road, Hampton-in-Arden,
Warwickshire B29 0LR
Tel: 01675 443440 Fax: 01675 471202

Soans Of Leamington
Longfield Road, Sydenham Ind. Estate,
Leamington Spa, Warwick CV31 1XB
Tel: 01926 334514 Fax: 01926 450346

WEST MIDLANDS

PREMIER
Carwell Caravans Ltd
London Road, Carwell, Sutton
Kidderley, West Midlands B75 5ST
Tel: 0121 308 0583 Fax: 0121 308 2452

Caravan Sales Centre Ltd.
Trading as Raymond James Caravans
245 Torrington Road, The Hill, Coventry,
West Midlands CV4 9AP
Tel: 01203 474747 Fax: 01203 471202

Salop Caravans (Cosford)
Newport Road, Abington,
Wolverhampton, West Midlands WV7
3NA
Tel: 01902 374170 Fax: 01902 373130

STANDARD
Black Country Caravans
63A Graingers Lane, Cradley Heath,
West Midlands. Tel: 01384 61995

Chichester Caravans
308/9 Hagley Road West, Birmingham,
West Midlands B32 2AN
Tel: 0121 429 2004 Fax: 0121 511
1294

Energas Ltd
Booth Street, Smethwick, Birmingham,
West Midlands B66 2PE
Tel: 0121 555 5050

Jabez Barker (Tipton)
Birmingham New Road, Tipton, Dudley,
West Midlands DY4 8XP
Tel: 0121 520 7058 Fax: 0121 520 3229

WILTSHIRE

PREMIER
Blunsdon Abbey Caravans
Blunsdon, Swindon, Wils., SN2 4DU
Tel: 01973 721345 Fax: 01973 705869

Cross Country (Devizes)
London Road, Devizes,
Wiltshire SN10 2HW
Tel: 01380 723196 Fax: 01380 729152

Folding Caravan Centre
Orchard Garage, 24 Turnpike Road
(A419), Blunsdon, Swindon,
Wiltshire SN2 4EA
Tel: 01793 726770 Fax: 01793 729179

Marlin Yeates Caravans
Old Road, Akerby, Salisbury,
Wiltshire SP5 3AR
Tel: 01722 710622 Fax: 01722 711112

Pickwick Caravans
12A Bradford Road, Conham,
Wiltshire SN13 0QR
Tel: 01249 713572 Fax: 01249 715975

Swindon Caravan Centre
Greatfield Nurseries, Greatfield
Woodon, Bassett, Swindon, Wils., SN4
8EG
Tel: 01793 772096 Fax: 01793 772341

SERVICE
P.K. Houkley
T/A Caravancare, C/O Sirling Caravans
Ltd., The Forty Crickade, Swindon,
Wiltshire SN6 6HW
Tel: 01793 750669

NORTH YORKSHIRE

PREMIER
Broadwood Caravans
Ingleton, Via Carlthorpe, N. Yorks LA6
3EX
Tel: 01524 241253

Catterick Caravan & Camp
Catterick Bridge, Richmond,
N. Yorks DL10 7PE
Tel: 01748 818391 Fax: 01748 812216