



**Compass**

***casita***

Touring Caravan  
OWNERS  
HANDBOOK

Issue 1



<b>WELCOME AND INTRODUCTION .....</b>	<b>1-1</b>		
Model Year Designation .....	1-1		
Elddis Technical Approvals .....	1-2		
<b>GENERAL SAFETY .....</b>	<b>2-1</b>		
Please read before using your new Caravan. ....	2-1		
Ventilation .....	2-2		
High-Level Ventilation .....	2-2		
Low-Level Ventilation .....	2-2		
Ventilation in Separate Bedrooms .....	2-2		
Gas Dispersal Holes .....	2-2		
Petrol/Diesel Fumes .....	2-2		
Fire Safety .....	2-2		
Fire Extinguishers .....	2-2		
In Case Of Fire .....	2-2		
Fire Retardant Foams .....	2-2		
Escape Paths .....	2-2		
Your Caravan Payload Explained .....	2-3		
<b>PREPARING FOR THE ROAD .....</b>	<b>3-1</b>		
Caravan Towing Vehicle Weight Ratio ....	3-1		
Loading .....	3-1		
Internal Loading & Checks .....	3-1		
External Loading & Checks .....	3-2		
Pre-Tow Checklist & Hitch-Up .....	3-2		
<b>TOWING AND DRIVING .....</b>	<b>4-1</b>		
Reversing .....	4-1		
Speed Limits .....	4-1		
Setting Off .....	4-1		
Caravan Handling .....	4-1		
Motorway Driving .....	4-2		
Towing Covers .....	4-2		
Tyre and Wheel Checks .....	4-2		
<b>ARRIVING ON SITE .....</b>	<b>5-1</b>		
Check Site Regulations .....	5-1		
Selecting a Pitch .....	5-1		
Side-To-Side Levelling .....	5-1		
Leveller Jack .....	5-1		
Ramp .....	5-1		
Front & Back Levelling .....	5-1		
Parking on a Reverse-Sloping Site or Steep Hill .....	5-2		
Entering and Exiting the Caravan .....	5-2		
<b>GETTING STARTED .....</b>	<b>6-1</b>		
Electricity .....	6-1		
Power Supply Charger .....	6-1		
12v Systems: .....	6-1		
Generator/Charger .....	6-1		
Electricity Mains Supply .....	6-1		
		Connecting To Mains Supply On Arrival at Site .....	6-1
		Disconnecting Mains Supply When Leaving Site .....	6-2
		Overseas Electrical Connection .....	6-2
		Gas Safety Advice .....	6-3
		Facts about LPG .....	6-3
		Awning Spaces, LPG and Appliance Exhaust .....	6-3
		LPG Gas System .....	6-3
		Gas Supply .....	6-4
		Connection .....	6-4
		Changing a Gas Cylinder .....	6-4
		Gas Regulator .....	6-4
		Auto Changeover Gas Regulator (Optional) .....	6-5
		High Pressure Gas Hoses .....	6-6
		Whale High Flow Pump with Intelligent Control® .....	6-7
		<b>ELECTRICAL SYSTEM .....</b>	<b>7-1</b>
		12v Power Supply .....	7-1
		Battery Installation .....	7-1
		Battery Maintenance .....	7-1
		Generators / Charger .....	7-1
		230v Power Supply .....	7-2
		Mains Unit .....	7-2
		Resetting the RCD .....	7-2
		Automatic Charging System .....	7-2
		Internal Lights .....	7-2
		Maximum Power Ratings for Internal Lights .....	7-2
		Connecting a Solar Panel and/or Satellite Dish (Option only) .....	7-3
		External Solar Panel Connection .....	7-3
		External Satellite TV Connection .....	7-3
		<b>HOW TO USE YOUR CARAVAN'S EQUIPMENT .....</b>	<b>8-1</b>
		Electrical Control Panels .....	8-1
		Casita .....	8-1
		Whale Heating System .....	8-2
		Whale Space Heater - User Operation ...	8-3
		Whale Water Heater - User Operation ...	8-4
		Whale Heating System - Troubleshooting	8-5
		Space Heater Fault Finding .....	8-5
		Whale Space Heater - Reset Button Location .....	8-7
		Whale Space and Water Heating System .....	8-9
		Oven, Hob and Grill .....	8-11
		Safety .....	8-11



Use of the Burners .....	8-13	Gas Locker Door .....	8-36
Use of the Electric Hotplate (if applicable) .....	8-13	Internal Doors .....	8-36
Use of the Grill .....	8-14	Toilet/Shower Room Doors .....	8-36
Use of the Oven .....	8-14	Paddle Latch .....	8-36
Safe Cooking .....	8-15	Magnetic Catches .....	8-37
Temperature Control .....	8-15	Sprung Hinges .....	8-37
Maintenance and Cleaning .....	8-16	Room Divider .....	8-37
Refrigerator .....	8-17	Bed Make-up .....	8-38
Microwave (When installed) .....	8-20	Front Wrap Round Seating (Option) .....	8-41
Battery Charger .....	8-21	Lift Up Bed Extensions (where fitted) ....	8-41
Smoke Alarm .....	8-21	Removable Drawer Locker .....	8-41
Nuisance Alarms .....	8-22	Radio/CD with MP3 Connectivity .....	8-41
Battery Replacement .....	8-22	Teleco TV Aerial .....	8-42
Cleaning your alarm .....	8-22	How to use your TV Aerial .....	8-44
Carbon Monoxide Alarm .....	8-23	Digital TV Set-up Guide .....	8-44
Recognising Alarm Signals and Warnings .....	8-23	Connect Aerial and Power .....	8-44
Using your Alarm .....	8-23	Troubleshooting Guide .....	8-44
Switching on your CO Alarm .....	8-23	Protect - Autowatch Alarm System (optional) .....	8-46
Re-setting the Alarm .....	8-23	Basic Operation Arming the System ....	8-46
Replacement of Batteries .....	8-23	Disarming the System .....	8-46
Carbon Monoxide Alarm Procedure .....	8-24	Panic Alarm .....	8-46
Maintenance of your alarm .....	8-24	Emergency Disarm .....	8-46
Thetford C-260 Cassette Toilet Range ..	8-25	Silent Arm and Disarm .....	8-46
Preparing for Use (Standard) .....	8-25	Sensors .....	8-46
Preparing for Use with Optional Features	8-25	Passive Infra Red Sensor .....	8-46
Using the Toilet (Standard) .....	8-27	Al-Ko Trailer - Control .....	8-47
Using the Toilet with Optional Features ..	8-27	<b>SECURITY .....</b>	<b>9-1</b>
Emptying .....	8-27	Caravan Theft .....	9-1
Emptying with Optional Features .....	8-27	Tracker Retrieve .....	9-1
Cleaning and Maintenance .....	8-28	CRIS - The Caravan Registration and Identification Scheme .....	9-1
Toilet Bowl .....	8-28	Al-Ko Secure Wheel Lock (Option) .....	9-2
Waste Holding Tank .....	8-28	Window & Chassis Marking .....	9-4
Cleaning and Maintenance for Optional Features .....	8-29	Electronic Tagging .....	9-4
Winter Operation .....	8-29	<b>CARE OF YOUR CARAVAN .....</b>	<b>10-1</b>
Storage .....	8-29	Exterior Cleaning .....	10-1
Toilet Unit Malfunctions .....	8-29	Wheels .....	10-1
Rooflights .....	8-31	Glass Fibre Reinforced Plastic (GRP) ..	10-1
The Omivent (12v) Rooflight (Option) ...	8-31	Acrylic Windows .....	10-1
The Heki 2 Rooflight .....	8-31	Window Blinds & Flyscreens .....	10-1
Midi Heki Rooflight .....	8-32	Winterisation/Storage .....	10-1
MPK Rooflight .....	8-33	ABS - A Frame Cover, Wheel Spats & Panels .....	10-1
Windows .....	8-34	Interior Walls .....	10-1
Polyplastic Window Opening .....	8-34	Furniture .....	10-2
Blinds & Flyscreens .....	8-34	Cooking Equipment .....	10-2
Door Flyscreen .....	8-34	Soft Furnishings .....	10-2
Shower .....	8-35	Winterisation and Storage .....	10-2
Taps .....	8-35	Shower Trays, Shower Room and Wash Basin Fittings .....	10-2
Kitchen Taps .....	8-35		
Washroom Taps and Showers .....	8-35		



Cleaning of all Taps .....	10-2	<b>NOTIFICATION OF CHANGE TO</b>	
Water Containers .....	10-3	<b>NAME AND ADDRESS .....</b>	<b>20-1</b>
Water Systems - Sterilisation .....	10-3	<b>USEFUL ADDRESSES .....</b>	<b>21-1</b>
Thetford Toilet .....	10-3	<b>INDEX .....</b>	<b>22-1</b>
Chassis Mounted Spare Wheel Carrier	10-4		
Tyres .....	10-4		
Pressures .....	10-4		
Tyre Wear and Damage .....	10-4		
Changing a Wheel .....	10-4		
Jacking .....	10-5		
Lubrication .....	10-5		
The Alko Caravan Chassis .....	10-6		
Chassis Members .....	10-6		
Drilling or Welding of parts or			
Accessories .....	10-6		
Independent Suspension .....	10-6		
Coupling Head .....	10-6		
Secondary Braking (Breakaway Cable)	10-6		
Brake Drum/Hub Assembly .....	10-6		
Operating Instructions .....	10-7		
Braking System Adjustment .....	10-9		
<b>STORAGE .....</b>	<b>11-1</b>		
Long Term & Winter Storage .....	11-1		
Caravan Covers .....	11-1		
Power Drain .....	11-1		
<b>CARAVAN WARRANTY COVER .....</b>	<b>12-1</b>		
Non Warranty Repairs .....	12-3		
Remedial Work .....	12-3		
<b>CARAVAN CONSTRUCTION -</b>			
<b>MAIN COMPONENTS .....</b>	<b>13-1</b>		
Alko Chassis .....	13-1		
Braking System .....	13-1		
Solid Construction Body Shell .....	13-1		
Windows .....	13-1		
Insulation .....	13-1		
Front Panel and Gas Bottle Locker Door	13-1		
Awning Channel .....	13-1		
<b>EQUIPMENT LIST .....</b>	<b>14-1</b>		
Casita .....	14-1		
<b>WIRING DIAGRAM - CASITA .....</b>	<b>15-1</b>		
Road Lights - Casita .....	15-2		
<b>GENERAL QUESTIONS .....</b>	<b>16-1</b>		
<b>GLOSSARY .....</b>	<b>17-1</b>		
<b>SERVICE DOCUMENTS .....</b>	<b>18-1</b>		
<b>NOTIFICATION OF CHANGE OF</b>			
<b>OWNERSHIP .....</b>	<b>19-1</b>		





## WELCOME AND INTRODUCTION

Congratulations on selecting your new Touring Caravan.

This Owner's Handbook has been prepared for your guidance to help you derive the greatest amount of pleasure from the use of your caravan and your leisure time. We strongly recommend that you read this guide thoroughly so that you are fully aware of all the caravan's features, equipment and systems.

Additional information and detailed appliance instruction manuals are also contained in your Owner's Information Pack which can be found within the kit box supplied with your caravan.

**Your new caravan has been designed as a recreational vehicle and is intended for recreational use only. It is not intended for business, hire use or for permanent habitation. Elddis accepts no liability if the caravan is used for any purpose other than recreational/holiday use. Any use other than recreational/holiday use will invalidate your warranty.**

Your caravan has been designed for towing behind a normal motor car. Additional care should be exercised when towing with a 4x4 because of the 'off-road' nature of the suspension. Owners should not tow their touring caravans with commercial vehicles. When selecting a towing vehicle it is recommended that you consult the Caravan Towing Code, which is available from the NCC.

By following the instructions provided in this handbook and maintaining your caravan in a first class roadworthy condition, you are sure to have many years of carefree use.

To ensure the very best quality and reliability all touring caravan designs and new developments are rigorously tested. Therefore Elddis will accept no liability or uphold the warranty if the caravan is altered or modified in such a way that would adversely affect the reliability.

**Please note:** It is a condition of your warranty that the caravan must have an "annual service" carried out by an Elddis

approved Retailer / Service Centre or NCC Approved workshop or NCC equivalent standard as set out in this handbook and a record is kept. Pages are provided in the back of this guide, for your assistance.

An Elddis Approved Retailer / Service Centre will be able to supply any replacement parts for your caravan, should the need arise, and in most cases any accessories you may require.

**Please note:** It is not possible to purchase replacement parts direct from Elddis.

Changing market and supply situations may prevent us from maintaining the exact specification details in this guide and we therefore reserve the right to alter specifications as materials and conditions demand.

### ***Enjoy your new caravan***

#### **IMPORTANT: Register your vehicle with us**

**In order to fully protect your valuable purchase, we would kindly ask you to take a few moments to complete our online Warranty Registration.**

Registering your vehicle will ensure that we always have the most accurate and up-to-date contact information and all of your vehicle details to hand, should you ever need our assistance.

Your feedback is incredibly important to us and helps shape the future of our leisure vehicles. We would be delighted if you would also complete our accompanying online Customer Questionnaire.

Both our **Warranty Registration** form and our **Customer Questionnaire** can be found on our Homepage: [www.elddis.co.uk](http://www.elddis.co.uk)

#### **Model Year Designation**

All Touring caravans manufactured by Elddis are designated by their model year. The 2019 model year runs from 1st September 2018 to 31st August 2019.



Compass

# INTRODUCTION



## **Elddis Technical Approvals**

All Elddis Caravans have been European Commission Whole Vehicle Type Approved via the Vehicle Certification Agency (VCA).

In order to ensure your new caravan is safe to use, Elddis are members of and have been inspected by the following bodies.

NCC who operated a certification scheme to ensure compliance with the European safety standards for caravans.

National Inspection Council for Electrical Installation and Contracting (NICEIC) who carry out an annual inspection of Elddis electrical installations within caravans.

Gas Safe Register™ or STGW approved installers carry out an annual inspection to ensure that the gas installations carried out by Elddis fully comply with all relevant regulations and standards.

Elddis has also obtained ISO9001:2015 accreditation and this is audited by SGS UK Limited



## GENERAL SAFETY

### Please read before using your new caravan.

In order for you to get the most out of your new caravan it is necessary for you to be aware of the following:

- (i) Do not obstruct ventilators and clean them regularly, it is advisable to clean and check all the ventilators annually for blockages and where necessary rectify any blockages found.
- (ii) Inspect the high pressure flexible gas hose (available from your retailer) regularly for deterioration and renew as necessary, with an approved type, in any case no later than the expiry date stated on the hose.
- (iii) Ensure the gas supply and all appliances are turned off before towing your caravan.
- (iv) If your caravan has been fitted with a gas BBQ point it must be only used for its intended purpose. **Do not use a gas barbeque within an awning.**
- (v) Never allow modification to your gas or electrical system unless qualified persons carry them out. All modification to the gas system should be carried out by a Gas Safe Register™ approved gas fitter. Any modifications carried out on the electrical system must be carried out by an electrician on the roll of the NICEIC or be a member of the ECA. Never use portable cooking or heating equipment inside your caravan. Do not use your fitted cooking equipment as heating at any time.
- (vi) In the interest of safety, replacement parts for an appliance should conform to the appliance manufacturer's specifications and must be fitted by them or an authorised agent.
- (vii) If you suspect there is a gas leak please open all the windows then vacate the caravan. Turn off the gas container if safe to do so, then contact your nearest Elddis Retailer to arrange for them to check the gas system.
- (viii) It is recommended that you provide a dry powder fire extinguisher complying with ISO 7165 of at least 1KG capacity by the exit door and a fire blanket next to the cooker. Ensure you read the 'advice to occupier label' fitted to your caravan usually found on the inside of the wardrobe door.
- (ix) Never exceed your caravans Maximum Technical Permissible Laden Mass. (see Caravan Towing Vehicle Weight Ratio)
- (x) The laden nose weight for your caravan should not exceed the lower of the following:
  - Towing vehicles maximum nose weight
  - Tow bar maximum nose weight
  - The caravan's maximum nose weight.
- (xi) Ensure heavy and large items are secured before towing your new caravan to reduce the risk of damage being caused while the caravan is in motion.
- (xii) Pull out worktop extensions, where fitted, are only designed to take a maximum weight of 6kgs.
- (xiii) When your caravan is connected to your towing vehicle it should be level or slightly nose down.
- (xiv) Where high level bunks are fitted, care should be taken when used by children. The protection against falling out must be in place when the bunk is used.
- (xv) When your caravan is loaded to its MTPLM and the weight distributed in accordance with the handbook, your caravan is designed to be towed at a maximum speed of 100kmh/60mph.
- (xvi) **It is illegal to tow your caravan whilst it is occupied.**
- (xvii) If your caravan is fitted with a lift up bunk it is designed for a maximum weight of 11 stone and is not suitable for children under 6 years old without supervision.
- (xviii) Do not leave children under 14 years of age unattended in your caravan.





- (xix) Your vehicles MIRO is calculated with no water on board. To travel with water you must take account of the water in your vehicle payload. 1 litre of water = 1Kg.

### VENTILATION

All caravans manufactured by Elddis are ventilated at both high and low level in accordance with BSEN 721 Safety Ventilation.

#### High-Level Ventilation

This is always provided by fixed ventilation within the fitted roof skylight. These roof skylights should be cleaned annually by use of a small brush to remove any dust that may have accumulated around the mesh fitted. On some roof skylights the mesh can be easily removed to aid cleaning. On fan-assisted roof skylights it is essential that the fan is switched off prior to cleaning.

#### Low-Level Ventilation

Low level ventilation is provided within the living area of your new caravan and these can be identified by the fitting of a black cover to prevent them from being obstructed. This cover must not be removed. In order to clean the ventilator, remove the cover by undoing the two screws and clean using a small brush. It is essential that the cover is replaced once cleaning is complete.

#### Ventilation in Separate Bedrooms

In caravans with separated sleeping areas, separate ventilation is required and is provided via a roof skylight at high level and a ventilator at low level within a bed box or under the fixed bed.

#### Gas Dispersal Holes

All appliances and gas taps have a gas dispersal hole within the same compartment. It is essential that these are not blocked or made ineffective.

#### Petrol/Diesel Fumes

The fitting of a tail pipe to your exhaust will reduce the possibility of fumes entering your caravan through the front fixed ventilation points.

### FIRE SAFETY

#### Fire Extinguishers

It is recommended that a 1 kg minimum capacity dry powder fire extinguisher be carried inside your caravan at all times. A pan fire must not have an extinguisher aimed at it, but must be smothered with a fire blanket.

#### In Case Of Fire

- (i) Get everyone out of the caravan as quickly as possible using whichever exit is quickest including windows. Do not stop to collect any personal items.
- (ii) Raise the alarm. Call the fire brigade.
- (iii) Turn off the gas container valve if safe to do so.

#### Fire Retardant Foams

All caravans are equipped with Polyurethane (PU) foam which are combustion modified foam cushions, mattresses and fire retardant fabric. All furnishings and fabrics used by Elddis comply with the Furniture and Furnishings (Fire Safety) Regulations. In addition all upholstery is made of fire retardant fabric.

#### Escape Paths

Your new touring caravan has been provided with escape paths to be used in the event of an emergency. One of which is always the main habitation door and others are the large windows to be used where necessary. Care must be taken when exiting via a window due to the potential drop to ground level.

**IMPORTANT: Your attention is drawn to the notice affixed in the caravan's wardrobe advising on fire prevention, ventilation and what to do in case of fire.**

**Please note:** Do not work under the caravan unless the corner steadies are down and the axle is supported.



## YOUR CARAVAN PAYLOAD EXPLAINED

### Definitions

#### Plated maximum technical permissible laden mass (PMTPLM)

As specified by Eddis and in compliance with the European Directive on Masses and dimensions of vehicles.

#### Actual MTPLM

Maximum mass of the vehicle, which takes into account operating conditions including, factors such as the strength of materials, loading capacity of the tyres etc.

#### Mass of the caravan in running order (MIRO)

This is the weight of your caravan as it leaves our factory plus the following:

A mass of 10kgs per gas cylinder, the cylinder number is equal to the number of connections provided at the regulator.

#### Personal effects payload (PEP)

This is calculated by the following formula:

$$10L + 10N + 50$$

L is the body length of the caravan in meters.

N is the number of berths.

50 is for normal equipment carried in the caravan, a sample list is given below.

Kettle .....	0.5kgs
Bed linen .....	6kgs
Crockery .....	5kgs
Saucepans .....	3kgs
Wastemaster .....	6kgs
Aquaroll (empty) .....	5kgs
Waste bin .....	1kg
Cutlery .....	2kgs
Toilet fluid etc .....	2.5kgs
Battery .....	25kgs

#### Optional equipment payload (OEP)

This is an amount of weight provided for factory fitted options.

**Please note:** Any options fitted by the retailer will reduce the overall payload available to the customer.

User Payload is the sum of the PEP and the OEP.

**Note:** It may be possible to upgrade your Plated MTPLM to the Actual MTPLM up to the caravan being 3 years old, there is an administration fee for this service.

**Note:** Please ensure you never load your caravan above the plated MTPLM.

**Note:** Please take care to ensure you have allowed for the mass of all the items you intend to take in your caravan.





## PREPARING FOR THE ROAD

### CARAVAN TOWING VEHICLE WEIGHT RATIO

This ratio has a major influence on stability. It is recommended that:

- (i) The laden nose weight for your caravan should not exceed the **lower** of the following:
  - \* Towing vehicles maximum nose weight,
  - \* Tow bar maximum nose weight
  - \* The caravan's maximum nose weight, is 100kgs.
- (ii) The actual laden weight of the caravan should always be kept as light as possible. The lighter it is whilst being towed on a road, the safer the outfit combination will be.
- (iii) What you are able to tow is dependent on your driving licence.
- (iv) If you are a B licence holder you can only tow a car/caravan combination of total weight not exceeding 3500kgs and the cars kerb weight must be greater than the caravans plated MTPLM.  
**Note: It is strongly recommended that the caravan plated MTPLM should not exceed the cars kerb weight.**
- (v) If you hold a B + E licence you can tow up to a combination weight of 7000kgs.
- (vi) The greater the actual laden weight of the caravan in relation to the kerb weight of the towing vehicle the more careful and experienced the driver needs to be and the lower the speed at which instability could occur.

**WARNING: It is strongly recommended the loaded weight of the caravan does not exceed the kerb weight of the towing vehicle.**

### LOADING

Always lower and secure the jockey wheel and the four corner steadies (with the brace provided) before entering the caravan. This will ensure that the caravan does not tip up when you are inside.

**Please note:** Corner steadies should not be used as a jacking or levelling device.

### Internal Loading & Checks

When loading your caravan it is advisable to:

- (i) Distribute items evenly over the axle and as low as possible to optimise road holding and achieve the best possible braking effect.
- (ii) Do not overload on one side as this will cause the caravan to lean and affect the road holding and stability.
- (iii) Do not stow tins, bottles or heavy items in overhead lockers when towing.
- (iv) Loose articles should be stowed securely to avoid movement and possible damage.
- (v) Ensure that all lockers, cupboard doors and showers doors are closed and room partitions are secured.
- (vi) Secure all bunks (if appropriate).
- (vii) Store the main dining table in its transit position.
- (viii) Set the refrigerator for 12V operation if any fresh food is stored in it and ensure the door is locked.
- (ix) Fully close and lock all windows and rooflights. Never tow with windows on night setting.
- (x) Leave all curtains and blinds open to prevent damage in transit. If your caravan has a rear window this may aid visibility.
- (xi) Ensure you remove all items from the microwave and cocktail cabinet before towing.



## External Loading & Checks

- (i) Gas cylinders should only be stored, correctly positioned, and secured in the gas bottle locker. The gas should be turned off.
- (ii) The leisure battery is stored and secured in the battery locker box, set into the tray provided and secured.
- (iii) Any external connections (battery chargers, connecting cables etc), should be disconnected and stowed.
- (iv) Check that all exterior locker doors are secure and locked.
- (v) Secure and lock the main caravan entrance door.

## PRE-TOW CHECKLIST & HITCH-UP

Having loaded the touring caravan and secured the lockers and main entrance door:

- (i) Check touring caravan wheel bolts are torque tightened to the required level (See Index - Changing a Wheel).
- (ii) Check tyre pressures (Refer to the Technical Data Sheet) and tyre condition for roadworthiness.
- (iii) Ensure the jockey wheel is down, in good contact with the ground, clamp tightly secured, and the caravan handbrake is fully on.
- (iv) Raise the corner steadies.
- (v) Reverse the car close up to the caravan's hitch. It is advisable to seek assistance to guide you so that the car tow ball aligns with the caravan's hitch. (Use of the caravan handbrake is advised. Extreme caution should be taken if manoeuvring the caravan down hill or on wet, slippery surfaces).
- (vi) Make sure the jockey wheel height is sufficient for the hitch head to clear the towing vehicles tow ball.
- (v) Manoeuvre the hitch head over the tow ball and lower the jockey wheel using the winding handle, until the hitch head opening sits comfortably over the tow bar ball.

## CABLES

For peace of mind, you may wish to check the ability of the cables to be able to cope with towing the vehicle at extreme angles before setting off. To do so, position the vehicle at alternate extreme angles and check that the cables do not pull too tight, as they are liable to stretch or become unplugged. No cables should be allowed to touch the ground as they will wear and become damaged and ineffective.

**Please note:** If having followed this advice, you feel you cannot achieve a satisfactory cable arrangement, consult your caravan or tow bar supplier or service agent.

## Stabiliser operating instructions

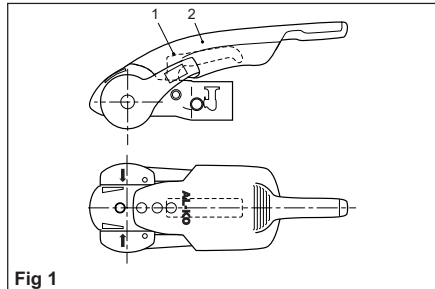


Fig 1

Coupling handle (Fig. 1/Item 1), Stabiliser Lever (Fig. 1/Item 2)

The Stabiliser lever (Fig. 2/Item 2) must be in the uppermost position (open).

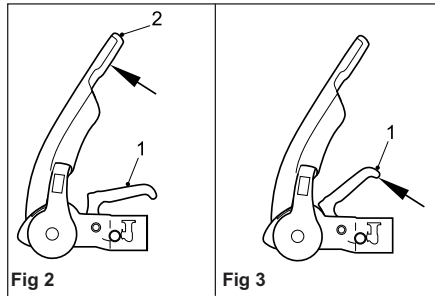


Fig 2

Fig 3

## Coupling

- Pull the coupling handle (Fig. 3/Item 1) up in the direction of arrow. The coupling mechanism has an open position ie. as



long as the AKS 3004 is not placed on the ball, the handle will remain open. Put the opened coupling onto the clean towball. The handle must now make an audible click and return to the flat position.

**WARNING: The coupling is correctly engaged when the green edge of the safety indicator button is visible (Fig. 4/Item 3).**

**WARNING: Always ensure that the jockey wheel is fully raised and secure before commencing any journey.**

### Stabiliser Unit:

- To operate the Stabiliser (once coupled to the towball), simple press the stabiliser lever down as far as it will go (Fig. 4/Item 2).

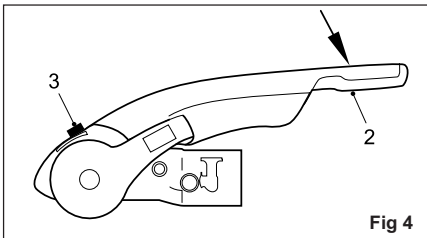


Fig 4

### Uncoupling

- Pull the stabiliser lever handle up as far as it will go, open the coupling handle and lift the AKS 3004 from the towball. With larger nose loads, coupling and uncoupling can be made easier by using the jockey wheel to assist lifting.

The friction pads are pressed against the towball and hence generate a stabilising/damping force. These pads are therefore subject to wear over time, however they will have a long service life (circa. 30,000 Miles), provided they are well maintained and kept free of grease/dirt.

### Checking the efficiency of the left/right friction pads:

- Couple up AKS 3004
- Open Stabiliser lever (Fig. 5/Item1).

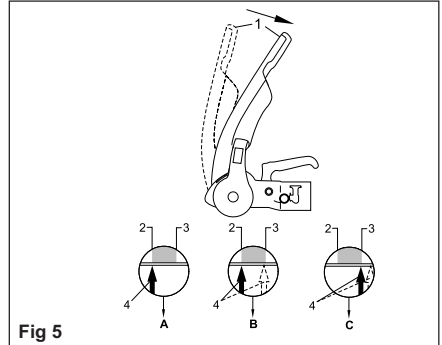


Fig 5

- Close Stabiliser lever until resistance is felt (ie friction pads are in contact with the ball but not yet under pressure).
- If the arrow on the arm (Fig. 5/Item 4) is before or on the marked area (Fig. 5/Item 2) the friction pads are still as new (See A)
- The arrow on the arm should lie between the marked area on the soft dock (See B)
- If the arrow on the plate reaches or passes the marked area on the soft dock then the friction pads need replacing (See C).

It is not necessary to adjust the friction pads.

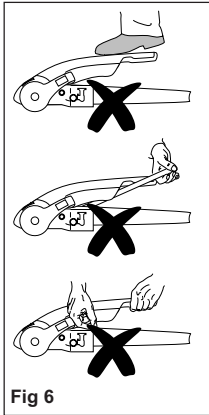


## Manoeuvring operation

For easier manoeuvring (on campsites etc), pull the stabiliser lever to the 'up' position.

Please do not use the stabiliser lever as an manoeuvring handle. Please use the handles on the Caravan or fit the AL-KO manoeuvring handle to your jockey wheel (available separately).

- 1) During opening or closing, the AKS must only be operated by one person.
- 2) Press stabiliser lever down by hand force only DO NOT use your foot or an extension bar, this will damage the components (Fig. 6).
- 3) When opening or closing the stabiliser lever, please ensure your hand does not touch the coupling handle - you may accidentally trap your fingers! (Fig. 6).



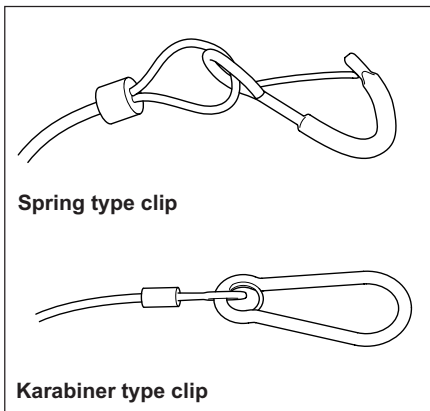


## BREAKAWAY CABLE

The law requires that any trailer with a MTPLM (GVW) exceeding 750 kg must have a braking system and it must work. If such a trailer becomes detached from the tow vehicle then these brakes must be applied automatically by way of the breakaway cable.

This breakaway cable is an important part of the management of the braking system and when the trailer is built the braking system is part of the certification process for the safe use of the trailer - so any replacement parts must be equivalent to the original parts fitted.

There are two types of breakaway cable in use in the UK. One uses a spring clip (one of the AI-Ko versions, the other uses a Karabiner clip (available from AI-Ko and BPW).



Looking at the two clips it is easy to see that there is a difference.

The spring clip type is designed to be hooked back over the breakaway cable when it is fitted to the tow vehicle and must always be used this way.

The Karabiner type is designed to be secured onto a mounting point on the tow vehicle, it does not need to pass back over the cable to secure it in place (but can if necessary).

So how should the breakaway cable be secured to the tow vehicle? In the absence of specific advice from the manufacturer/supplier follow these simple guidelines:

## Fixed tow ball systems

The cable with spring clip should be passed behind the towbar assembly (where cable length is sufficient) and then clipped back on itself. The cable should be in as straight a path as possible to ensure correct operation.

Where there is insufficient cable length then the cable should pass around the base of the tow ball and then be clipped back on itself.

## Detachable tow bar systems

Vehicles with a detachable tow bar system may have a securing point provided on the tow bar assembly. This securing point should be part of the towbar assembly fitted to the tow vehicle but this securing point may not be large enough to allow the spring clip type fastener to pass completely through, do not be tempted to clip onto the securing point directly. Where this is the case, or where there is no hooking point provided, then the cable should pass around the tow ball assembly and then clipped back on itself.

Where the towbar provides a securing point and a Karabiner type fastening is provided, then this can be secured to the securing point. Make sure that it is completely closed to ensure that it operates correctly.

Be careful to check that the cable does not sag so much that it could drag on the ground - if it does it may become damaged or catch on debris on the road surface. Also ensure that the cable is long enough to allow for any sharp turns, otherwise the cable may inadvertently apply the trailer brakes and this could cause damage to the brake components.

Remember to check the breakaway cable for any signs of damage. The cable is designed to apply the trailer brakes and then snap once the brakes are applied so any damage may result in premature failure and the brakes not being properly applied.

And ... remember ... Many inadvertent detachments occur at low speed - normally as a result of the hitch head not being engaged properly onto the tow ball assembly. A low speed detachment may not result in the breakaway cable operating properly - so ALWAYS check that the head is fully secure before setting off.







## TOWING AND DRIVING

### REVERSING

It is advisable to have a second person assisting when reversing the caravan.

Start practising by choosing a left-hand bend for ease. Reverse slowly; turning the wheel, initially the opposite way to the direction you want the caravan to go.

Now the front of the caravan is nudged out and is moving the rear in the intended direction. Take care not to hit the caravan with the car!

Midways through the manoeuvre, when the caravan is correctly angled, reduce speed to a crawl and gradually apply opposite lock. Make the car follow the caravan round then finally straighten up.

**Please note:** Proficiency at reversing can only be achieved with practice.

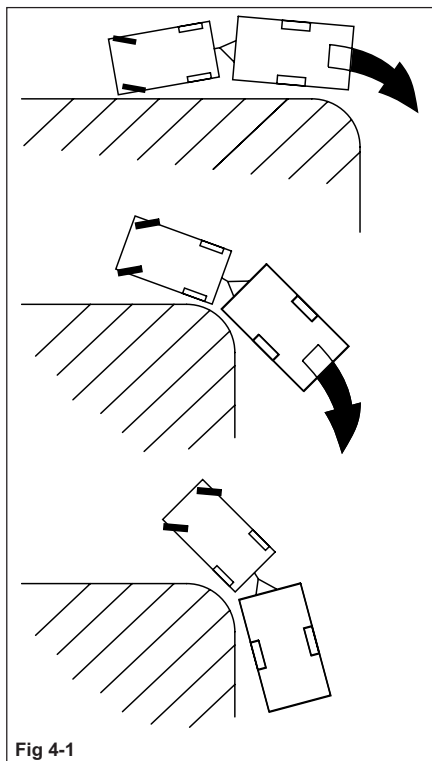


Fig 4-1

### SPEED LIMITS

- Always adhere to the speed limits in force.
- When national speed limits apply, when towing on a single carriageway, the speed limit is reduced to 50mph. Dual carriageway and motorways, the speed limit is reduced to 60mph.

### SETTING OFF

- (i) Pull away smoothly in the towing vehicle. Allow more engine speed to produce the power to move the additional weight of the caravan.
- (ii) Avoid wear and tear on the clutch and transmission by taking extra care not to 'ride' the clutch.
- (iii) Change gears smoothly. Try not to jerk the clutch.

### CARAVAN HANDLING

- (i) Allow for the caravan being wider than the car. Ensure you have a clear view to the rear. This may require the fitting of extended mirrors for towing your caravan.
- (ii) Give yourself more room when cornering to ensure your caravan wheels do not strike the kerb.
- (iii) When passing other vehicles, allow more than the normal clearance for driving solo.
- (iv) Allow longer to obtain a fast enough speed to pass other vehicles.
- (v) Allow for the vehicle being twice its normal length. Do not suddenly swing out.
- (vi) Carry out all manoeuvres as smoothly as possible.
- (vii) Use the wing mirror to check the caravan has clearly passed other road users when overtaking and changing lanes.
- (viii) Adverse weather conditions may affect the steering and braking characteristics of your caravan.



## MOTORWAY DRIVING

### Important Points:

1. Caravans may not be towed in the outside lane of a three or four lane motorway.
2. Reduce speed:
  - a) In high or cross winds
  - b) Downhill
  - c) In poor visibility
3. High sided vehicles cause air buffeting, so extra care must be taken when passing or being passed. As much space as possible should be given to avoid the drag created by the high sided vehicle.
4. When going uphill, change gear in good time. If your car is running short of power or is behind a slower vehicle, keep well into the nearside and out of the way of other vehicles. Remember that some hills can be ascended with relative ease often pose an unexpected challenge if you come to a standstill in traffic and then have to re-start from scratch.
5. When going downhill, take extra care to ensure you do not gain speed. This can be avoided by changing down a gear and reducing speed as you approach the slope. Don't leave this gear change too late. Using low gears throughout the descent will reduce the strain on the car's brakes. For automatics, you may need to manually change to a lower gear in anticipation of the effect caused by the gradient change.

## TOWING COVERS

We do not recommend that you tow with covers on as they can obscure the road lights fitted.

### Tyre and wheel checks

Tyres are an essential part of the safe use of your caravan and it is important that they are properly maintained to make sure that they do what they are intended to do - carry the load and grip the road as well as bringing you and your caravan to a safe stop.

So how do we know we have the correct tyres for our caravan and how do we know that they are still safe to use?

When your caravan was first manufactured the tyres fitted were chosen because they would carry the load that the caravan was designed to carry.

Note that it may be possible to increase the maximum technically permissible laden mass (MTPLM) of the caravan depending on the capacity of the chassis but it is essential that the tyres are checked to verify that they are suitable for the extra loading if this option is taken. If their loading capacity is less than the rating necessary for the increased MTPLM, they will need to be replaced.

Detailed information on the load and speed rating is marked on the side of the tyre.

Looking at the tyre not only tells us that they are the right ones for the leisure vehicle, it also tells us how old the tyre is. It is strongly recommended that tyres are renewed when they are five years old and certainly by seven years. The tyre data is only shown on one side, so it may be necessary to check the information on the hidden side.

It is unlikely that caravan tyres will wear out before they reach the end of their recommended life, but all tyres deteriorate over time due to the effects of ultra-violet radiation and atmospheric ozone, so whilst the tyre may still seem to be in good condition with plenty of tread wear left, there is an increased risk of sudden failure and they need to be changed due to ageing.

Many of the tyres checked out on the road in Police checks are in a dangerous condition and using tyres like this increases the potential for a tyre failure / blow out or other incident and could result in a fine and penalty points being added to your licence.

Check your tyres for cuts / lumps, crazing and cracks as well as wear (both on the outside and inside walls) - don't forget to check the pressures when the tyres are cold.

For further information about tyres see [www.tyresafe.org/tyre-safety/caravan-tyre-safety](http://www.tyresafe.org/tyre-safety/caravan-tyre-safety)



## ARRIVING ON SITE

### CHECK SITE REGULATIONS

On arrival at a site, you should always check the site regulations. This will help avoid any unnecessary conflict with site management and other site users.

**WARNING: Care has to be taken to prevent grounding when traversing ramps or other ground obstacles.**

### SELECTING A PITCH

Carefully select where you wish to place your caravan. The site should be as level as possible, preferably not under or near trees, well drained and away from possible boggy areas. Consider how you will move the caravan when it is time to leave the site. On sloping ground it is better to pitch facing downhill, especially during wet weather.

### SIDE-TO-SIDE LEVELLING

A quick glance at your pitch should tell you if you are likely to need side to side levelling i.e. levelling across the axle. On uneven ground lateral levelling is accomplished by the use of a leveller jack or ramp and a spirit level placed 'across' the caravan floor (not supplied).

#### Leveller Jack

Place the leveller jack, folded flat, in front of the wheel needed to be raised to level the axle. Tow the caravan onto the leveller jack and adjust the height until the spirit level shows that the caravan is laterally level.

#### Ramp

- (i) Reverse onto your pitch about 30cm (12") further back than you wish to end up.
- (ii) Then place the levelling ramp in front of the wheel that needs to be raised.
- (iii) Place a spirit level parallel to the axle on the A-frame or just inside the caravan door.

It helps to have two people at this point. One should drive the car very slowly forward moving the caravan wheel up the ramp, and the other should indicate when the spirit level bubble is in the middle.

Whichever method you use, and once level:

- (i) Apply the caravan handbrake and chock the caravan wheel if necessary.
- (ii) Lower the jockey wheel to ground level before unhitching. (See index uncoupling)
- (iii) If necessary use a load spreader, such as a big foot or alternative suitable device.

You should then park your car, usually next to the caravan furthest away from the door side.

**Please note:** On upward facing pitches when the hydraulically damped drawbar of the hitch becomes fully extended, it will be necessary to compress the drawbar slightly in order to achieve unhitching. With the caravan brake on, reverse the towing vehicle about 2.54cm (1") to release hitch lock tension and using the jockey wheel adjustment, unhitch the caravan as previously described.

### FRONT & BACK LEVELLING

This should be done only when the lateral levelling is complete.

- (i) Place the spirit level pointing front to back just inside the caravan door or on the A frame.
- (ii) Then raise or lower the jockey wheel until the caravan is horizontally level.

**Please note:** If there is a significant front to back slope, you may need to place a block under the jockey wheel.

- (iii) Next, wind down the corner steadies onto load spreaders (blocks of wood a minimum of 15.25cm (6") square or 'Big Foot' steady attachments) until they are firmly set against the ground.

**Please note:** It is possible on very uneven sites that when fully extended blocks may be required under the corner steadies to achieve this. It is important that the caravan is correctly levelled to ensure the correct working of the refrigerator, cooker etc.

- (iv) Now that your caravan is level, place the caravan step in front of the door ensuring that it is stable and safe to use.



## **PARKING ON A REVERSE-SLOPING SITE OR STEEP HILL**

For successful parking on a reverse slope or steep hill, the operator need only apply the handbrake with one hand while gently but purposely inching the caravan a small distance backwards with the other.

**CAUTION:** Never enter the caravan without first lowering the four corner steadies with the brace provided. Corner steadies should not be used as a jack. Take care not to lift the caravan wheels.

## **ENTERING AND EXITING THE CARAVAN**

Due to the height to the entrance door, it is strongly recommended that you use a step to enter and exit your caravan. A suitable step is provided with your caravan and can be found within your kit box. Please ensure your step is placed in front of the entrance door and is on sound and level ground before use.



## GETTING STARTED

You have arrived at your destination and now want to start to enjoy your new caravan. The following is a step by step guide to connecting your services and getting everything in your caravan working.

### ELECTRICITY

#### Power Supply Charger

Your caravan is fitted with a power supply/charger. This will charge the leisure battery "where supplied" when fitted and also power the 12V systems in addition to your leisure battery.

A leisure battery must be fitted to the caravan at all times when in use.

#### 12v Systems:

Your caravan is fitted with an automatic system for selection of power.

When connected to the 230V site supply the automatic Power Supply/Charger will charge the leisure battery and the 12V systems.

When connected to the car (always disconnect 230V supply), the system automatically switches to the car supply.

When the towing vehicle's engine is running and the caravan's 13 pin plug is connected, the internal 12 volt power supply in the caravan is turned off and all internal lights will go out. The only 12 volt power left operational within the caravan is the fridge and the battery charger.

#### GENERATOR/CHARGER

When connecting to a generator, always switch off the RCD (residual current device), start the generator and allow running for a few minutes to stabilise. When this has happened, switch the RCD to the ON position.

#### ELECTRICITY MAINS SUPPLY

Your caravan's main electrical installation is designed to run on 230V at 50 hertz AC supply.

## CONNECTING TO MAINS SUPPLY ON ARRIVAL AT SITE

Before connecting the caravan installation to the mains supply, check that:

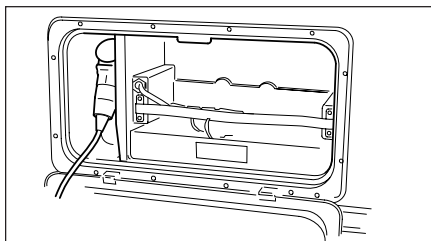
- (i) The mains supply is suitable for your installation and appliances, i.e. whether it is AC or DC and whether it is at the correct voltage and frequency.
- (ii) Your caravan is properly earthed. Never accept a supply from a socket outlet or plug having only two pins, or from a lighting outlet.
- (iii) Any residual current device (earth leakage circuit breaker) in the mains supply to the caravan has been tested. In case of doubt, consult the site owner or their agent.
- (iv) Make sure that the switch at the site supply point is off and that all electrical equipment in the caravan is switched off by ensuring your caravan mains isolating switch on the MCB (miniature circuit breaker) is in the 'OFF' position.

### ELECTRICAL WARNING

**Attention: Always disconnect the electrical connector between the towing vehicle and the caravan before connecting a mains electric supply to the caravan and before charging the caravan battery by any other means.**

Once the above checks have been made:

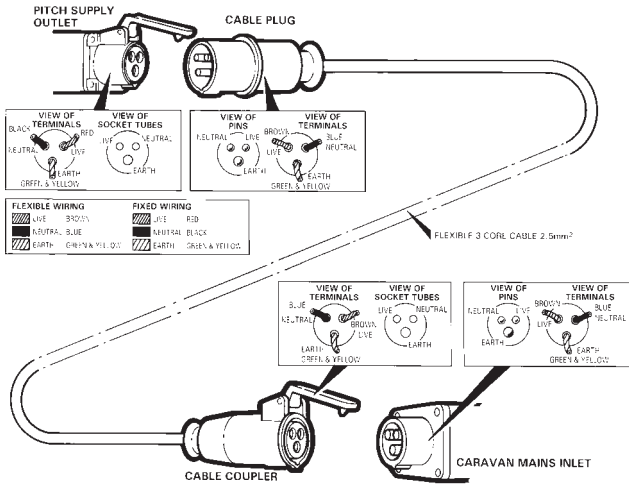
- (v) Open the battery box on your caravan and insert the female connector of the mains connection cable supplied with your caravan into the inlet within the battery box as shown below.



- (vi) Locate the site supply and remove any cover from the socket outlet provided at the supply point. Insert the male plug at



## WIRING OF CONNECTING CABLE AND CARAVAN MAINS INLET



**WARNING:** It is essential that connections are made exactly as shown. If terminal markings are not in accordance with the above diagram they must be ignored.

- (vii) Place any surplus cable under the caravan. Ensure that the surplus cable is not coiled up as it could overheat.
- (viii) Now switch on the mains isolating switch within the caravan, this can be found on the main consumer board, normally located within the nearside front bed box.
- (ix) Check the RCD is working by pressing the test button. Once pressed all electrical lights and appliances should cease to operate. Reset, and then check the electrical system is operational.
- (x) Finally in order to get your 12V system operational, ensure the 12V switch is in the 'ON' position. Refer to index for further details on the control panel fitted.

- (iii) Disconnect the female plug from the caravan and store the cable in an appropriate locker.

### OVERSEAS ELECTRICAL CONNECTION

**Please note:** Connection to a mains voltage supply OVERSEAS requires particular attention.

Care must be taken when connecting supplies abroad since the supplies can be of REVERSE POLARITY.

The significance of REVERSE POLARITY is that when equipment is switched off, it may not be electrically isolated. The only certain way of making equipment safe is to unplug it.

A means of checking the polarity of the mains supply when overseas is recommended. There are available several proprietary makes of equipment for the purpose.

If it can be achieved, it is preferable to connect live to live, and neutral to neutral to maintain full electrical protection.

CHECK all caravan equipment is set-up to accept the site supply before actually switching on.

### DISCONNECTING MAINS SUPPLY WHEN LEAVING SITE

- (i) Switch 'OFF' at the caravan mains isolating switch.
- (ii) Remove the male plug from the site supply.



## **GAS SAFETY ADVICE**

In the event of a suspected gas leak the gas must be turned off using the isolation valve on the gas bottle. A competent gas fitter should then check the system before it is used/reused.

Regularly check flexible gas hose, joints and connections for tightness. Finally, make sure that each gas appliance is working efficiently to the recommendations of the appliance manufacturers.

See Index - Ventilation

## **FACTS ABOUT LPG**

- LPG is not poisonous.
- Bi-products of incomplete combustion are harmful to health.
- LPG is dangerous if all air and oxygen is excluded.
- LPG has been given a smell by the manufacturers in order to identify leaks.
- The gas is heavier than air and therefore sinks to the lowest point.

## **AWNING SPACES, LPG AND APPLIANCE EXHAUST**

Using a refrigerator on gas which vents into an enclosed awning space must only be done if there is sufficient ventilation to prevent the build up of CO<sub>2</sub>.

Space & Water heaters may produce sufficient amounts of CO<sub>2</sub> to pollute the awning space. If an awning enclosure is attached these appliances must not be used on gas.

In extreme cases there could be a build up of carbon dioxide to a dangerous level. Caravan owners are advised to allow some fresh air circulation in the awning space when such appliances are in use.

**Please note:** Ventilation holes must be clear at all times.

## **LPG GAS SYSTEM**

Elddis do not recommend the use of any external cylinders. All cylinders in use should be within the gas locker provided. If you wish to utilise a larger cylinder and have this outside the gas locker then the connecting hose must not exceed 750mm.

It is recommended that no flammable material is stored or placed within 300mm of any open flame.

Please ensure that you have read the operating instructions for each gas appliance contained in your Owners Information Pack. Please ensure that any gas hose left unconnected is protected from dirt or other foreign bodies entering the hose.

## **WARNINGS**

- **Fresh air circulation should be allowed below the caravan when appliances are in use and when flues terminate below the floor to allow free evacuation of the products of combustion. At least three sides of the underfloor space should always be kept open and unobstructed especially by snow. Do not make any additional openings in the floor.**
- **No appliance shall be used outside when connected to an internal outlet.**
- **Maintain adequate spacing of combustible materials from sources of heat.**
- **Do not use additional independent gas appliances inside the caravan.**





## GAS SUPPLY






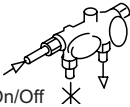
Your caravan is designed to operate using either propane or butane liquefied petroleum gas at 30M/bar. Gas can be obtained from your caravan dealer. Your caravan is designed to accept a maximum 2 x 6kg gas bottles.

### Connection

Make sure that heating and cooking appliances and gas cylinders are switched off.

Each gas appliance is connected to its own gas isolation tap located adjacent to the appliance. These are identified on the tap via a label. Below is a key to identify each label.

To operate the tap the arrow on the tap shows the direction of flow for the gas. The arrow should be pointing towards the appliance to operate.

 Water Heater	 Cooking Appliance
 Space Heater	 Hob
 Refrigerator	 Gas On/Off

## Changing a Gas Cylinder

Before commencing to change a gas cylinder ensure that the valve on the cylinder is turned fully off. Turn off all gas operated appliances.

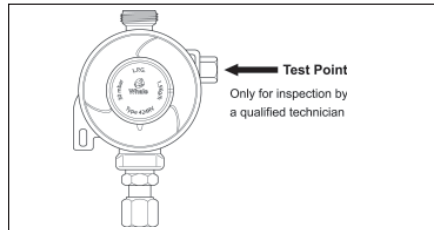
Remove the gas hose from gas cylinder.

Before refitting a gas cylinder, ensure that all gas operated appliances are turned off - particularly after winterisation. Ensure all connections are secure.

When the cylinder is connected please ensure that the high pressure hose is not placed under any strain.

**WARNING: If cylinders other than those recommended are used, ensure that the cylinders are adequately supported, do not block ventilation openings and care to be taken not to cause damage to fixtures and fittings located in the compartment.**

## Gas Regulator



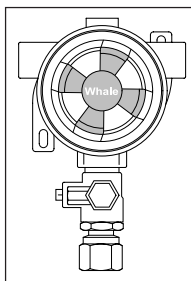
Your new caravan has been fitted with a fully approved gas regulator designed to operate at a gas pressure of 30mBar. Your regulator is fitted with a test point, which is accessed via the inlet at the side of the regulator. This access point is only for carrying out gas pressure tests and **must not** be used for any other purpose.

**Please note:** Only Gas Safe Register™ approved gas fitters can carry out any work on your caravan gas installation.



## Auto Changeover Gas Regulator (optional)

The Whale Auto Changeover Gas Regulator, Type 924N has been specially designed to supply a caravan or motorhome gas installation in compliance with the requirements of annex D of standard EN 12864. Supply pressure for appliances is standardised at 30 mbar for the whole of Europe.



**Note:** Not suitable for use in caravans or motorhomes when the vehicle is in transit.

**WARNING: This product is designed for use with all liquefied petroleum gases: propane, butane and LPG.**

**LPG is highly flammable.**

**Important:** In the following cases, shut off the cock on the cylinder **IMMEDIATELY** and contact your dealer or Whale Support +44 (0)845 217 2933:

- Abnormal combustion at the burner(s) of a gas appliance (flames too high or too low)
- Smell of gas
- Outbreak of fire

A planned maintenance schedule of regular inspection is recommended, replacing components as necessary.

We recommend the gas regulator unit be replaced 10 years from the date of manufacture.

## Instructions for use

The two inlets of the regulator are to be connected by means of two high pressure hoses complying with the specifications of Standard EN1949.

### Putting into <<service>> Figure 1.

- After having checked that the indicator remains green in the two positions of the knob, turn the knob so that the arrow is facing to the right or the left. The arrow on the knob will indicate the cylinder in <<service>> use.

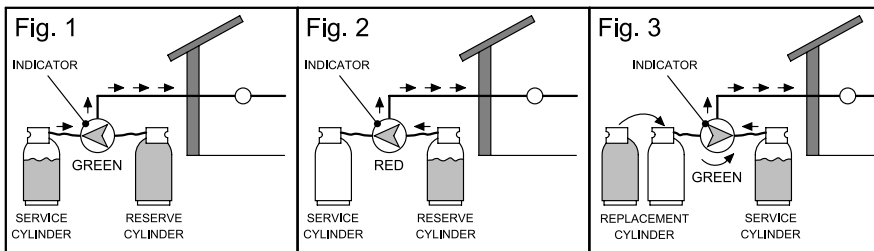
### Operation of the <<reserve>> Figure 2.

- The indicator is red which means that the cylinder in <<service>> has run out. It is now empty and the installation is operating on the <<reserve>> cylinder.

### Replacing the empty cylinder, Figure 3.

- Turn the knob halfway. The cylinder that was previously in <<reserve>> will become the cylinder in <<service>> the indicator will turn green as usual. If it stays red, this means the system has been operating on the <<reserve>> cylinder for too long and that this one is also empty. It will therefore be necessary to change both cylinders.

**CAUTION: It is strongly recommended that only Gas Safe Register™ or STGW approved gas fitters carry out any work on your caravan gas installation.**





### **High Pressure Gas Hoses**

You should only connect to this regulator using a length of approved high-pressure hose not exceeding 450mm from the gas cylinder to the regulator. These approved high-pressure hoses are available from your Elddis Retailer. These hoses are connected using screw thread fittings, which will make a seal if connected and tightened using a spanner. Once the hose is securely connected turn on the gas tap above the regulator, then turn on the gas bottle to allow gas to flow into the caravan.

In order to make all your caravan gas appliances operational it is necessary to open each appliance gas tap as detailed in previous column. All your gas appliances should now be operational. Instructions on how to use each appliance are detailed later in your handbook.

**WARNING: Aerosols and highly flammable liquids must not be stored in the compartment behind, or adjacent to, any gas appliance. Some industrial LPG appliances operate at high pressure and require a 'high pressure' regulator. This often has an adjusting handle on it. NEVER use such a regulator on a caravan. Ventilation holes must be clear at all times.**



## Whale High Flow Pump with Intelligent Control®

Your caravan has been fitted with the Whale High Flow Pump with Intelligent Control®

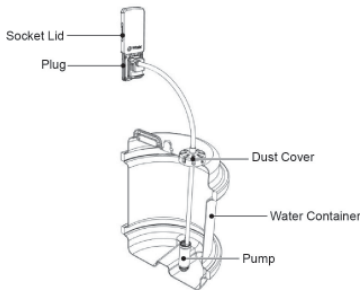
### Water System

Before using your water system for the first time, you must prime the water system and calibrate the Watermaster Pump Controller. Your water system has been fitted with the technology to ensure you never have to adjust your pressure switch again! Whale High Flow Pump with Intelligent Control® also protects the life of your pump by automatically turning it off if the water container is empty.

### To prime your Water System

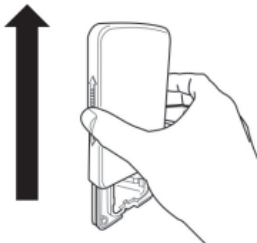
#### Step One

Place pump into a full water container. Ensure that the pump reaches the bottom of the water container as shown.



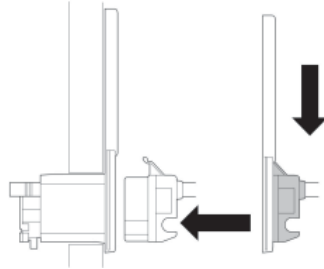
#### Step Two

Open socket lid, by using the side grips as shown.



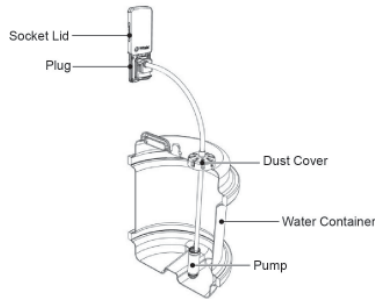
#### Step Three

Insert plug and secure by using the socket lid to lock in place.



#### Step Four

Adjust the dust cover so that it covers the opening in the water container. This prevents debris entering. **Please Note:** The dust cover **must not** be secured to the opening as air **must** be able to enter the container.



#### Step Five

Switch on the Master Switch. This allows 12V d.c. to reach the pump and it should start to run.

#### Step Six

Open one cold tap. Trapped air will be expelled from the system and water will flow from the tap.

#### Step Seven

Turn the tap off when water flows evenly. The pump should turn off after approximately 10 seconds.



## To calibrate the Water System

Now that the water system has been primed, you must calibrate the Intelligent Control® unit, which is located at the back of the water socket (inside the caravan).

## 5 easy steps to calibrate your Watermaster® IC Pump Controller

To ensure successful installation and optimum performance of the Watermaster® IC Unit, please follow these 5 simple steps. You must calibrate the system.

### Step 1

Press and hold the calibration button until the green LED starts to flash after 1-3 seconds



### Step 2

Open the cold shower and the pump should start (there may be a short delay)



### Step 3

After approximately 30 seconds, turn off the shower



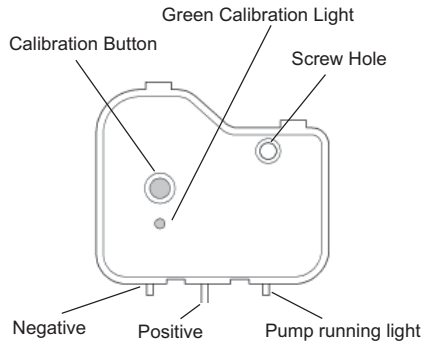
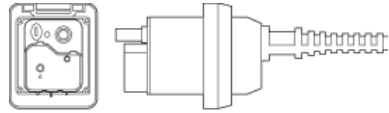
### Step 4

After approximately 10 seconds (the pump should still be running), press and hold the calibration button again until the LED turns solid green and the pump will stop after approximately 10 seconds

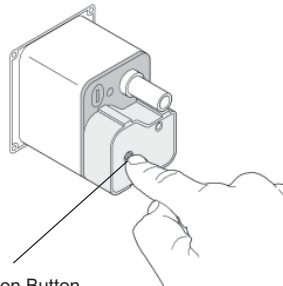


### Step 5

The green LED should turn off and blink briefly every 5 seconds. The system is now calibrated



Watermaster® IC



Calibration Button

Calibration Button

## Watermaster® IC is now installed and ready for use

During normal use, once calibrated you will only need to recalibrate if you use a different pump. Simply repeat the steps above to calibrate a new pump.



## Water System - Diagnostics

To aid with trouble shooting the green LED on the Intelligent Control® unit will flash to indicate different fault types.

LED	Code
<b>On</b>	Tap open and pump running
<b>Fast Flash</b> (flash every 1 second or less)	In Calibration Mode
<b>5 Second Flash</b> (flash every 5 seconds)	Calibrated and ready for use Normal operation
<b>10 Second Flash</b> (flash every 10 seconds)	Un-calibrated. Follow calibrator instructions
<b>15 Second Flash</b> (flash every 15 seconds)	Water container is empty. Turn Master Switch 'off' then 'on' again
<b>20 Second Flash</b> (flash every 20 seconds)	Battery voltage is low. Turn Master Switch 'off' then 'on' again and charge battery

## Water System - Troubleshooting

Problem	Solution
Pump will not run	Check at least one tap is open
	Turn the pump isolator switch 'off' then 'on' again
	Check the battery is fully charged
	Check the pump isolator switch is 'on'
	Check the master switch is 'on'
	Clean the electric contact strips on either side of the plug and ensure they are making contact with the socket
	Check wiring connections
	Check fuse (see fuse box)
Pump cycles on and off with all taps and showers are closed	Check for air or water leaks in taps and piping
	Check the non-return valve (fitted in the socket) is free from grit and dirt. Use a ballpoint pen to dislodge any grit in the non-return valve
	Recalibrate the system - follow calibration instructions
Pump runs for 30 seconds or more without stopping when all taps and showers are closed	Check all connections in the pipework are secure
	Recalibrate the system - follow calibration instructions.



### Storing Your Water Pump

The socket lid **must be** closed while not in use.

The pump **must be** removed from the socket before moving the caravan.

The pump **must be** stored in a cool, dry place when not in use.

When refilling your water container, the pump can be placed as shown to keep it clean.



For efficient running and maximum pump life:

- Ensure there is sufficient water in the container.
- Ensure continuous operation does not exceed 15 minutes.
- Ensure all pipework connections are secure and watertight.
- Ensure the power supply is adequate.
- Keep o-rings well lubricated to aid connection and removal of the plug. Use a water-based lubricant such as silicone grease. Vaseline **must not** be used.
- Clean electric contact strips often.
- Shake pump to expel air before dropping it into the water container and connecting the plug.



## Water System - Maintenance

Whale Watermaster Pump with Intelligent Control® is designed to be maintenance free and does not contain any serviceable parts. Please note: The Intelligent Control unit is enclosed to protect the electronics and must not be opened. Opening the unit will result in damage and may invalidate your warranty.

Whale recommends a regular schedule of inspection, at least twice a season.

## Water System - Replacement Parts

Part Number	Description
GP1652	Whale High Flow Pump Only
EP1612	Whale High Flow Pump and Plug
EP1612	Whale Watermaster IC® Kit - includes High Flow Pump and Plug and IC Unit

## Water System - Winterising

Your water system must be drained fully when not in use. For details of how to drain your water system in preparation for winter storage please see our guide at the back of the handbook.

## Water System - Support

For installation advice or help with your water system please contact Whale Support.

Tel: +44 (0)28 9127 0531

E-mail: [info@whalepumps.com](mailto:info@whalepumps.com)







## ELECTRICAL SYSTEM

### 12v POWER SUPPLY

#### Battery Installation

Your caravan will be fitted with a BCA Leisure charging and power distribution unit.

If you wish to install a leisure battery please ensure that it is placed on the battery tray supplied with your caravan. Then place the tray in the battery locker fitted to the side of your caravan. Connect the battery to the clamp fittings connected to the connection leads within the battery box.

The type of leisure battery you should utilise will depend on how you wish to use your new caravan. We recommend that you refer to the NCC approved battery scheme, which can be found at [www.thencc.org.uk](http://www.thencc.org.uk).

#### Battery Maintenance

##### Storage

Ensure that the leisure battery is fully charged before placing the vehicle into storage.

Once in storage disconnect the battery. Check the battery state every 2 months, if the terminal voltage drops below 12.07V then re-charging is necessary.

Charging should be carried out in a cool, dry, well ventilated area.

Do not place the battery onto cold surfaces such as concrete as this will affect the battery's ability to charge.

This will depend on your leisure battery's capacity, age and state of charge.

##### Points to remember

- Prolonged discharge causes harmful sulfation and may damage a battery.
- For peak performance never let a battery sit discharged for long periods of time.
- Over discharged batteries are permanently damaged and need to be replaced.

**Note:** Do not over discharge the battery. One of the most common causes of battery failure is when the battery is discharged below the recommended level of approximately 12.2v -

ref table. Discharging a battery below this figure will cause permanent damage. Overheating and gassing will occur when re-connected to the mains supply.

	12 Volt Battery	State of Charge
Good	12.7V	100%
	12.5V	90%
OK	12.42V	80%
	12.32V	70%
	12.20V	60%
	12.06V	50%
Warning	11.9V	40%
	11.75V	30%
	11.58V	20%
Damaged	11.31V	10%
	10.5V	0%

**Good:** the battery is in good condition and not in need of charging

**OK:** nothing to worry about but put the battery on charge as soon as you can

**Warning:** get the battery on charge as soon as you can. Leave it and the battery will be damaged, possibly beyond repair

**Damaged:** Replace battery

#### Generators / Charger

All electrical equipment fitted in your new caravan can be run from either a controlled generator or charger whose output is maintained between 11volts and 14volts.

At least once every 3 years, the caravan electrical installation should be inspected and tested, and a report on its condition obtained, as prescribed in British Standard BS7671.



## 230v POWER SUPPLY

### Mains Unit

The Mains Unit replaces the conventional fuse box. Similar, but larger ones are often fitted in new houses. The unit, normally located in the front bed box, gives overloads and earth leakage protection for the 230V electrical supply in your caravan.

For normal operation all switches on the unit need to be in the ON position. The switches on the left of the unit are known as MCB's (miniature circuit breakers). These take the place of the conventional fuse but are more convenient. In the event of a fault the MCB 'trips' i.e. automatically moves to the OFF position. After elimination of the fault the MCB can be re-set by switching to the ON position (against the spring pressure in an upwards direction). If an earth fault develops, or a person was to touch a live piece of equipment, the leakage of current to earth should immediately operate the RCD (residual current device) and 'trip' the main switch, to the OFF position. This switch can only be re-set after elimination of **the fault**.

**Please note:** In case of difficulty, consult an approved electrical installation contractor (who may be the local electricity board). It is dangerous to attempt modifications and additions yourself. Lamp holder-plugs (bayonet- cap adaptors) should not be used under any circumstances.

### Resetting the RCD

To re-set, operate the switch as for MCB's. Periodically, the RCD should be checked by operating the test button marked 'T'. The unit should immediately switch to the OFF position. If the unit does not switch off then a qualified electrician should be consulted. If the unit does switch off, the test is complete and the switch can be re-set restoring the supply back to normal.

**Please note:** Simultaneous operation of all of the 230V mains electrical equipment may not be possible. A typical UK caravan site mains hook-up point provides a maximum output of 10 amps and on some continental sites the available output may be as low as 5 amps. If your loading exceeds the site supply

it may trip the site circuit breaker. Please check the available mains output with your site operator. The following items need to be added together if used simultaneously.

230V mains equipment typical consumption figures:

- Refrigerator ..... 0.50 amps
- Charger ..... 0.50 amps
- Water heaters ..... 6.5 amps
- Blown air heaters ..... 11.5 amps
- Colour TV ..... 3.33 amps
- Microwave ..... 4.00 amps

## AUTOMATIC CHARGING SYSTEM

The battery charger will operate automatically when the caravan is connected to the mains outlet on a caravan site. The 12V system, with the exception of the 12V refrigerator and battery charging, will not operate when the caravan is connected to the towing vehicle.

CHECK all caravan equipment is set-up to accept the site supply before actually switching on.

## INTERNAL LIGHTS

Your new caravan is fitted with all LED lighting.

You should not need to replace these long life lights, however should the need arrive please only replace these lights with identical lights which are available from your retailer.

## MAXIMUM POWER RATINGS FOR INTERNAL LIGHTS

Type of Light	Maximum Power Rating
Front window light	4 watts
Downlighters	1.2 watts
Reading lights	1.2 watts
Floor LED	0.36 watts
Above locker strip lights 500mm	1.2 watts
Above locker strip lights 800mm	2.2 watts
Awning lights	5 watts

**Please note:** All LED units must be replaced with like for like or manufacturers recommended replacement.

Never replace an LED with one which has a higher rating.

**CAUTION:** Do not look directly at LED lights.



Compass

# ELECTRICAL SYSTEM



## **Connecting a Solar Panel and/or Satellite Dish (Option only)**

If you ordered your caravan with the entertainment pack option fitted then your caravan will have both a solar panel connection point and a satellite TV connection point within the battery box.

### **External Solar Panel Connection**

To connect a solar panel insert the panel connection lead into the connection point within the battery box, please ensure that you have a regulator in line whenever a solar panel is connected.

### **External Satellite TV Connection**

To connect a Satellite TV receiver simply insert the satellite connection into the connection point within the battery box and this will feed the satellite signal to the TV outlets within your caravan. You will need to fit the satellite decoder between the aerial outlet and your TV.





## HOW TO USE YOUR CARAVAN'S EQUIPMENT

Congratulations on your purchase of a new Elddis caravan. Within this section of your caravan's handbook we will give you brief details on how to operate all of the caravan's equipment from the gas cooking equipment to the window blinds. For further details on the major equipment within your caravan please read the individual appliance instructions contained with your user information pack.

**Please note:** Before attempting to use any gas equipment please ensure that the gas bottle is connected securely to the caravan's regulator via a high pressure gas hose and the bottle valve is in the 'on' position. Also ensure the appliance isolation valves are in the 'on' position as shown in the gas system section.

**Please note:** Before attempting to use any electrical appliance ensure that you have connected the mains connection cable to a mains hook up and that the mains isolation switch is in the 'on' position.

## ELECTRICAL CONTROL PANELS

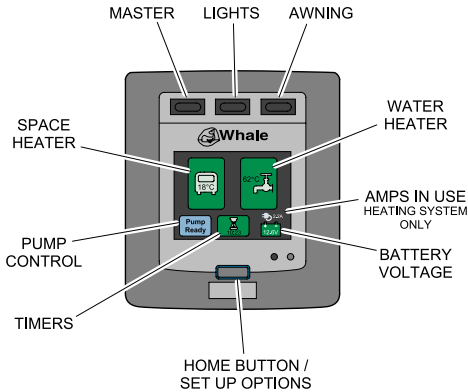
### Casita

Your new Caravan will be fitted with the following control panel shown overleaf.



## Whale Heating System

The Whale Space Heater and Whale Water Heater are both operated by using the Whale iVan® Control Panel. To operate the Space Heater or Water Heater on gas only, a 12 V d.c. supply **must be** connected at all times. To operate the Space Heater or Water Heater on electric, they **must also** be connected to a suitable 230V a.c. supply.



Space Heater		Water Heater	
Symbol	Function	Symbol	Function
	Off		Off
	600W (Low)		750W (Med)
	1300 (Med)		1500W (High)
	2600W (High)		Gas On
	Gas On		750W + Gas
	Frost Protection		1500W + Gas
	Fan Only		Frost Protection
			Eco Water Heat Up

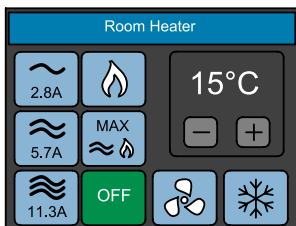
## Whale Space Heater - User Operation

To access the Space Heater Menu:

From the Home Screen, press the Space Heater Icon



The Space Heater Menu Screen will appear.



### For Gas Operation:

Press 

The gas only icon will turn green when in operation.

There will be a pre-purge pause of approx. 20 seconds to allow any unburnt gas to leave the flue.

**Please note:** If there is air in the gas supply line, it may take a few attempts for the gas to ignite. If the ignition is unsatisfactory, an error message will appear on the screen. If an error message appears, please refer to the Troubleshooting section.

### For Electric Operation:

The Space Heater is equipped with 3 electric power settings; 600W, 1300W and 2600W.

#### To select 600W:-

Press 

The icon will turn green when in operation.

#### To select 1300W:-

Press 

The icon will turn green when in operation.

#### To select 2600W:-

Press 

The icon will turn green when in operation.

### For Gas & Electric Operation:-

The Space Heater is equipped with a boost setting for faster heat up.

#### To select Gas & Electric:-

Press 

The icon will turn green when in operation.

#### To Turn The Space Heater Off:-

Press 

### To Adjust The Temperature:

Use the temperature control buttons to adjust the temperature.

Press  to increase the temperature.

Press  to decrease the temperature

The temperature setting will be shown on screen.

**Please note:** The Space Heater will automatically turn itself on and off to maintain the desired ambient temperature.

### For Frost Protection:

Frost protection maintains a low temperature in the vehicle during cold temperatures.

Press 

 indicates Frost Protection ready

The icon will turn green when Frost Protection is in use.

**Please note:** The vehicle **must be** connected to a suitable 230V a.c. supply in order to operate.





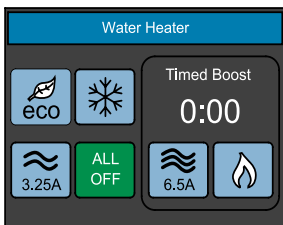
## Whale Water Heater - User Operation

To access the Water Heater Menu:

From the Home Screen, press the Water Heater Icon



The Water Heater Menu Screen will appear.



### For Gas Operation:

Press

The gas only icon will turn green when in operation.

There will be a pre-purge pause of approx. 5 seconds to allow any unburnt gas to leave the flue.

**Please note:** If there is air in the gas supply line, it may take a few attempts for the gas to ignite. If the ignition is unsatisfactory, an error message will appear on the screen. If an error message appears, please refer to the Troubleshooting section.

### For Electric Operation:

The Water Heater is equipped with 2 electric power settings; 750W and 1500W.

#### To select 750W:-

Press

The icon will turn green when in operation.

#### To select 1500W:-

Press

The icon will turn green when in operation.

### For Gas & Electric Operation:

For faster water heat up, the Water Heater can be operated on both gas and electric.

#### To select 750W and Gas:-

Press and

The icons will turn green when in operation and the timed boost will count down from 15, 30, 45 or 60 minutes. The time can be adjusted within settings.

#### To select 1300W and Gas:-

Press and

The icons will turn green when in operation and the timed boost will count down from 15, 30, 45 or 60 minutes. To adjust this countdown time, select settings from the home screen.

### To turn the Water Heater Off:

Press

### For Frost Protection:

Frost protection maintains a low temperature in the vehicle during cold temperatures.

Press

indicates Frost Protection ready

The icon will turn green when Frost Protection is in use.

**Please note:** The vehicle must be connected to a suitable 230V a.c. supply in order to operate.

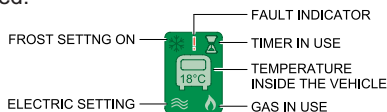
### For Eco Water Heat Up:

Press

The icon will turn green when in operation. Eco Water Heat Up heats the water up to an environmentally friendly 55°C.

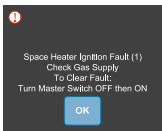
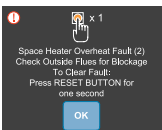
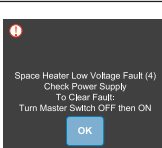
## Whale Heating System - Troubleshooting

The Whale Space Heater and Whale Water Heater are equipped with an electronic diagnostic system which will detect fault conditions ranging from poor gas or d.c. supply to internal heater malfunctions. In the unlikely event of a failure, this is indicated by a red '!' on the Space Heater or Water Heater icon. The Space Heater or Water Heater will not operate when a fault is indicated.



When you attempt to operate the Space Heater or Water Heater, an error message will appear on the screen. As soon as you have completed the suggested actions suggested below, you must clear the fault code by following the instructions on screen. The instruction will be either to press 'Retry' on the Control Panel OR to press the red Reset Button located on the heater once.

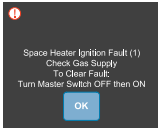
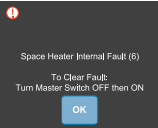

## Space Heater Fault Finding

Fault	Fault Screen	Solution
"Check gas supply" (1)		<p>Ensure that there is gas in the gas bottle and that there is no blockage in the gas line. At temperatures below 5°C, use Propane gas rather than Butane. Once the checks are complete, turn the Master Switch 'off' then 'on', then press OK on the iVan Control Panel. This will clear the fault code.</p> <p>If there is a problem with the gas supply which cannot be dealt with immediately, select an electric heating option.</p> <p>If the fault does not clear, please contact <b>Whale Support on +44(0)845 217 2933</b>.</p>
"Gas overheat fault" (2) OR "Electric overheat fault" (3)		<p>Check the air ducts and vents are not blocked or restricted. Whale recommends that you wait at least 5 to 10 minutes to allow the Space Heater to cool before clearing the lockout by pressing the Reset Button on the Space Heater once, then press OK on the iVan Control Panel. This will clear the fault code.</p> <p>If the fault does not clear please contact <b>Whale Support on +44(0)845 217 2933</b>.</p>
"Voltage Supply fault" (4)		<p>Minimum operating voltage is 10V, maximum is 15V, when measured at the Space Heater. Check battery voltage. If between 10V and 15V, check connections between Space Heater and battery.</p> <p>Check alternator or external battery charging. Clear lockout by turning the Master Switch 'off' then 'on'. This will clear the fault code.</p> <p>If the fault does not clear, please contact <b>Whale Support on +44(0)845 217 2933</b>.</p>



Compass

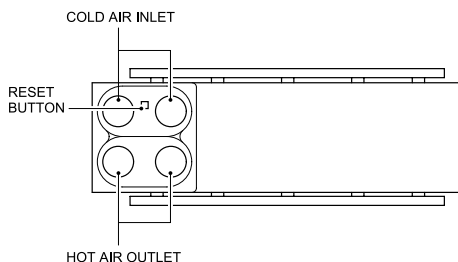
## Space Heater Fault Finding (continued)

Fault	Fault Screen	Solution
<p>“Air Pressure fault” (5)</p>		<p>Check combustion air inlet flue and exhaust flue for blockages. Clear lockout by turning the Master Switch 'off'. This will clear the fault code. If the fault does not clear, contact <b>Whale Support on +44(0)845 217 2933</b>.</p>
<p>“Thermistor fault” (6) OR “Flame simulation fault” (7) OR “Relay sense fault” (8) OR “Start-up fault” (9) OR “Configuration fault” (10) OR “Switch fault” (11)</p>		<p>An internal fault has occurred, clear lockout by turning the Master Switch 'off' then 'on'. If the fault does not clear, contact <b>Whale Support on +44(0)845 217 2933</b>.</p>
<p>“General fault” (15)</p>		<p>Two faults have occurred at the same time OR at least five or more lockout clearing attempts have been unsuccessful. Clear lockout by pressing the red Reset Button on the Space Heater as described on below. If the fault does not clear, please contact <b>Whale Support on +44(0)845 217 2933</b>.</p>

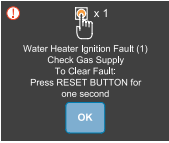
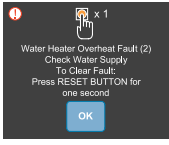
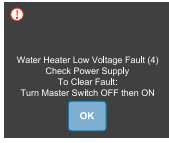
When the lockout has been cleared successfully, the Space Heater will default to 'Off'. The user must select the desired power operation to operate the Space Heater.

If the problem persists, contact **Whale Support on +44 (0)845 217 2933**.

## Whale Heater - Reset Button Location

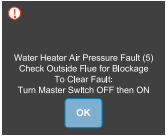
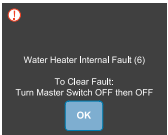
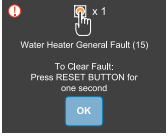


## Water Heater Fault Finding

Fault	Fault Screen	Solution
<p>“Check gas supply” (1)</p>		<p>Ensure that the voltage at the Water Heater is above 10V d.c. and below 15V d.c. This can be done by recharging the battery. When the check is complete, press the Reset Button on top of the Water Heater once, then press OK on the iVan® Control Panel. This will clear the fault code. If the fault does not clear, please contact <b>Whale Support on +44(0)845 217 2933</b>.</p>
<p>“Gas overheat fault” (2) OR “Electric overheat fault” (3)</p>		<p>Check that the Water Heater is completely full of water. Run the pump with one hot tap open until water flows smoothly out of the tap. Wait at least 10 minutes to allow the Water Heater to cool, press the Reset Button on the front of the Water Heater once, then press OK on the iVan® Control Panel. This will clear the fault code. If the fault does not clear, please contact <b>Whale Support on +44(0)845 217 2933</b>.</p>
<p>“Voltage Supply fault” (4)</p>		<p>Minimum operating voltage is 10V, maximum is 15V, when measured at the Water Heater. Check battery voltage. If between 10V and 15V, check connections between Water Heater and battery.</p> <p>Check alternator or external battery charging. Clear lockout by turning the Master Switch 'off' then 'on', then press OK on the iVan® Control Panel. This will clear the fault code.</p> <p>If the fault does not clear, please contact <b>Whale Support on +44(0)845 217 2933</b>.</p>



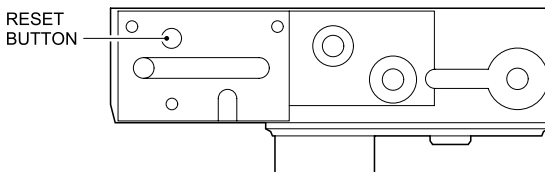
## Water Heater Fault Finding (continued)

Fault	Fault Screen	Solution
"Air Pressure fault" (5)		The Water Heater is not getting enough air through the flues - check the flue (outside the vehicle) and clear any obstructions away from it. When the check is complete, press the Reset Button on top of the Water Heater once, then press OK on the iVan® Control Panel. This will clear the fault code. If the fault does not clear, please contact <b>Whale Support on +44(0)845 217 2933</b> .
"Thermistor fault" (6) OR "Flame simulation fault" (7) OR "Relay sense fault" (8) OR "Start-up fault" (9) OR "Configuration fault" (10) OR "Switch fault" (11)		An internal fault has occurred, to clear the lockout press the Reset Button on the front of the Water Heater once, then press OK on the iVan® Control Panel. This will clear the fault code. If the fault does not clear, please contact <b>Whale Support on +44(0)845 217 2933</b> .
"General fault" (15)		Two faults have occurred at the same time OR at least five or more lockout clearing attempts have been unsuccessful. Clear lockout by pressing the red Reset Button on the Water Heater once. If the fault does not clear, please contact <b>Whale Support on +44(0)845 217 2933</b> .

When the lockout has been cleared successfully, the Water Heater will default to 'Off'. The user must select the desired power operation to operate the Water Heater.

If the problem persists, contact **Whale Support on +44 (0)845 217 2933**.

### Whale Water Heater - Reset Button Location





## Whale Space and Water Heating System

### To the User:

Read the following instructions carefully.

### Observe all warnings.

In the unlikely event of leaks in the gas system, or if there is a smell of gas:

- Extinguish all naked flames
- Do not operate any electrical switches
- Turn off all gas appliances
- Open windows and doors for ventilation
- Do not smoke
- Shut off gas connection

Ensure that the system is thoroughly checked by a Whale Approved Service Centre or Whale Service Engineer.

The Space Heater or Water Heater must not be operated in the following situations:

- When refuelling the vehicle, refuelling the vehicle towing the caravan or refuelling any other appliances.
- When the vehicle in which the Space Heater is installed is in motion, unless the Vehicle in Motion Flue Kit is installed.
- When the vehicle in which the Space Heater is installed is in a confined space, (such as a garage).

This appliance is not intended for use by persons (including children) with reduced physical, sensory or mental capabilities, or lack of experience and knowledge, unless they have been given supervision or instruction concerning use of the appliance by a person responsible for their safety.

Children **must be** supervised to ensure that they do not play with the appliance.

The Space and Water Heater's gas supply and flues for the products of combustion must be inspected in accordance with national regulations or if these do not exist, the Space or Water Heater manufacturer's recommendations. Whale advises that this must be carried out at least annually, by a Whale Approved Service Centre / Technician, or competent person, at least annually. This must be completed according to the practice in the country where it is used and according to the Whale instructions.

Whale recommends annual testing of gas soundness and combustion by an accredited LPG engineer. The Space and Water Heater contain ESD sensitive components and therefore must only be opened by a Whale Approved Service Centre / Technician (contact Whale Support).

Any alteration to the appliances, including the components used for the products of combustion, use of non-Whale spare parts/accessories and non-observation of the installation and operation instructions will lead to cancellation of the warranty and exclusion of liability claims and results in it becoming illegal to use the appliance.

When using non Whale operating switches provided by the installer or vehicle manufacturer, they are responsible for providing user instructions and identification of symbols on the control panel.



### **Whale Space Heater**

When operating the Space Heater, a minimum of one hot air outlet vents must be permanently open.

When using gas to operate the Space Heater, the combustion air flue and outlet openings for the products of combustion (exhaust flue) must never be obstructed. They must be checked regularly and if necessary cleaned by the user (e.g. snow or fallen leaves must be removed from the combustion outlet and air intake).

Where the open end of the exhaust flue terminates, three sides of the underfloor space must be kept open and not obstructed, and must not contain through-floor ventilation openings.

The inlet vents of the Space Heater must never be blocked and at least one hot air outlet vent must be permanently open.

### **Whale Water Heater**

Before operating the Water Heater, the user must ensure that the caravan water system, including Water Heater is full of water, and that the vehicle is level.

This appliance must be fully drained if there is a risk of frost. Frost damage will not be covered by warranty.

The water temperature cannot be adjusted. It is automatically set to approximately 70°C and controlled by the PCB to prevent bacteria growth. To avoid scalding, the temperature of the hot water supplied to the taps and showers must be controlled.

Do not use the water as drinking water.

### **Whale Heating System - Maintenance**

The outside surfaces of the Space or Water Heater do not normally require cleaning.

If the surface needs cleaned, you must isolate the electric supplies and wipe down with a soft, damp cloth only. You must not use abrasive cleaning agents. Allow to fully dry before reconnecting electrical supplies.

### **Whale Heating System - Servicing**

Whale recommends that the Space and Water Heater must be inspected, at least annually. This must be in accordance with the practice in the country where it is used and in accordance with the Whale instructions (provided separately). Both the Space Heater and Water Heater contain ESD sensitive components and therefore must only be opened by a Whale Approved Service Centre or Engineer.

Annual testing of the gas soundness and combustion must be carried out by an accredited LPG Engineer

### **Whale Heating System - Winterising**

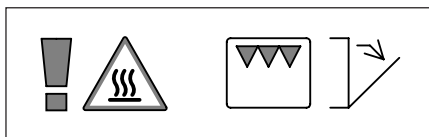
When using the Space or the Water Heater in winter, you must ensure that the flues are not blocked by fallen leaves or snow etc. When the Space Heater is not in use for long periods of time, e.g. in winter storage, you must cover the open end of the combustion air and exhaust flues to prevent ingress of leaves etc.



## OVEN, HOB AND GRILL

### Safety

- This appliance may be used by children aged 8 years or older and persons with reduced physical, sensory or mental capabilities and/or lack of experience and knowledge only if they are supervised or have been given instructions on the safe use of this appliance and understand the potential hazards.
- Keep children younger than 8 years away from the appliance, except under constant supervision.
- Do not allow children to play with the appliance.
- Do not allow children to clean or maintain this equipment unattended.
- Use only parts supplied by the manufacturer.
- Do not change or adjust anything on the appliance, unless the change is authorised by the manufacturer or its representative.
- If the power cord is damaged, it must be replaced by the manufacturer, its service agent or similarly qualified persons in order to avoid a hazard.
- Use the appliance for cooking only and not for anything else, for example room heating. This can lead to carbon monoxide poisoning and overheating. The manufacturer cannot be held liable for damage resulting from improper use or incorrect setting of the controls.
- This appliance is not intended to be operated by means of an external timer or separate remote-control system.
- The use of this gas cooking appliance results in the production of heat, moisture and products of combustion in the room in which it is installed. Ensure the room has sufficient ventilation when the appliance is in use. During prolonged use, additional ventilation may be needed by opening a window or increasing the extraction force of the hood.
- Never extinguish a cooking fire with water. Turn the burner off and cover the flame with a lid or a fire blanket.
- The burners and pan supports are hot during and after use. Allow all parts to cool before touching them, as this can cause serious injury.
- Unattended cooking on a hob with fat or oil can be dangerous and may result in fire. Do not leave the appliance unattended when in use.
- The use of inappropriate hob guards can cause accidents.
- Do not store items on the cooking surface of the hob.
- The food shelves and trays in the appliance are hot during and after use. Allow all parts to cool before touching them, as this can cause serious injury. Always use oven gloves when removing the shelves and trays.
- Do not store items in the appliance.
- Do not put heavy objects on the open appliance door.
- The appliance and accessible parts become hot when the grill is in use. Young children should be kept away.
- Caution: hot surfaces. Door must be open when grill is in use.
- In the event that abnormal drift in cooking temperature of the oven is observed, have the thermostat checked by a qualified service engineer.
- Care should be taken not to overload the oven, allowing adequate spacing to ensure free circulation of heat.
- Do not use steam cleaners or pressure washers to clean the appliance. See for instructions.
- Do not allow oil or fat to build up on the appliance. Clean the appliance after each use.







- **The glass lid may snap shut towards the end of lowering due to the travel-lock action of the hinges. Make sure all fingers are clear of the appliance when closing the lid.**
- **Do not use harsh abrasive cleaners or sharp metal scrapers to clean the surface of the glass, since they can scratch the glass surface which may result in shattering of the glass.**
- **Remove any spillage from the glass lid before opening the lid.**
- **Do not shut the glass lid when the burners are lit or still warm.**



- Clean the appliance with warm water and household detergent and dry carefully with a soft cloth.
- Ensure that the gas supply is connected and turned on.
- Ensure that the appliance is connected to the 12V DC battery for the spark ignition.
- Ensure that the pan supports are positioned properly.
- Ignite the gas burners and let them burn to expel odours and vapours first.
- Ignite the burner and heat the grill for about 20 minutes to eliminate any residual factory lubricants that might impart unpleasant smells to the food being cooked. Smoke may occur during this procedure. Open any windows and turn on mechanical ventilators to help remove the smoke.
- Ignite the burner and heat the oven for about 30 minutes at 200°C to eliminate any residual factory lubricants that might impart unpleasant smells to cooked food. Smoke may occur during this procedure. Open any windows and turn on mechanical ventilators to help remove the smoke.

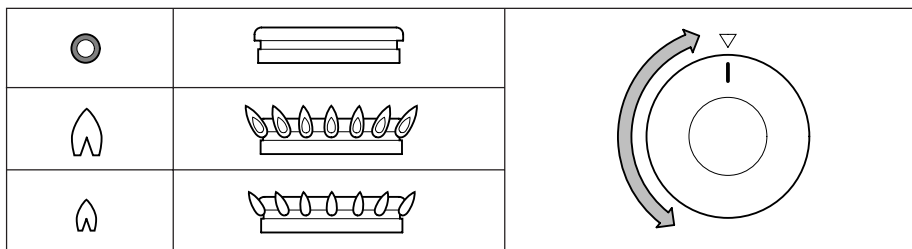
#### Dual Fuel only:

- Ensure the electricity is connected and switched on.
- Prime the hotplate by switching on the hotplate for a short period, without a pan, to harden and burn off the coating. Use a medium to high setting for 3-5 minutes. Allow adequate ventilation to disperse any smoke that occurs during this process. Allow the hotplate to cool.
- Season the hotplate by heating the hotplate for 30 seconds on a medium setting and then switching off. Pour a minimal amount of unsalted vegetable oil onto a clean dry cloth or paper towel and apply a thin coat of oil to the hotplate surface. Wipe off any excess oil, then heat the hotplate on a medium setting for 1 minute. Occasional seasoning will help to maintain the hotplate's appearance.



Only use LPG (Liquefied Petroleum Gas). The appliance operates on propane or butane. Propane is preferred over butane, because butane provides poor performance at an ambient temperature below 10°C and cannot be used at an ambient temperature below 5°C.

## Use of the burners



For the exact location of the control knobs, see:

### Turning on:

- Push and turn the control knob.
- Turn the control knob anti-clockwise to the full rate position.
  - For automatic ignition models: The automatic ignition sparks and lights.
  - For non-ignition models: Hold a lit match or gas match to the burners.
- Keep the control knob pressed for about 10-15 seconds and then release it.
- Adjust the height of the flame.

If the burner accidentally extinguishes turn the control knob to the 0 position and wait at least 1 minute before re-igniting the burner.

If the burner has not lit within 15 seconds turn the control knob back to the 0 position and release it. Wait at least 1 minute and repeat the steps above to turn on the appliance.

### Turning off:

- Turn the control knob clockwise to the 0 position to turn off the burner.

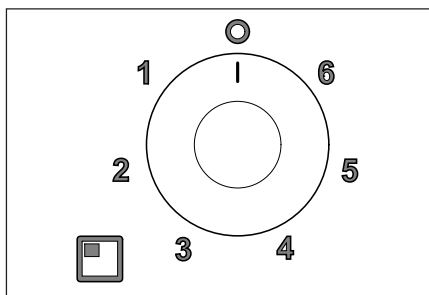


Always make sure the control knob is in the 0 position when you have finished using the gas burners.



Do not shut the glass lid when the burners are lit or still warm.

## Use of the electric hotplate (if applicable)



For the exact location of the control knob, see:

### Turning on:

- Rotate the control knob either clockwise or anti-clockwise to the required position (1-6).

For maximum efficiency, a correctly sized pan with a flat heavy gauge base should be used. The pan size should be the same or slightly larger than the hotplate (up to 1 1/2.5cm oversize).

### Turning off:

- Turn the control knob to the 0 position to turn off the hotplate.



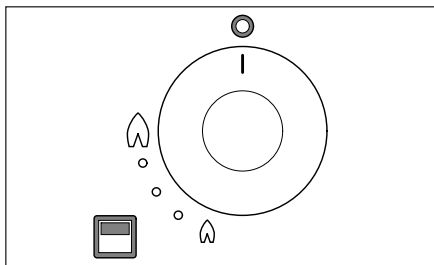
Always make sure the control knob is in the off position when you have finished using the hotplate.



Do not shut the glass lid when the hotplate is turned on or still warm.



## Use of the grill



For the exact location of the control knob, see:

### Turning on:

- Open the door and push the control knob.
- Continue pressing the control knob and turn it anti-clockwise to the full rate position.
  - For spark ignition models: Push the ignition button.
  - For non-ignition models: Hold a lit match or gas match to the burner.
- Keep the control knob pressed for about 10-15 seconds and then release it.
- Adjust the required heat setting.
- Depending on the food to be cooked, the correct grilling height can be achieved by inverting the pan trivet into either the high or low position.
- The grill pan supplied is multi-functional, for use in grill or oven and the handle design allows removal or insertion whilst the pan is in use. Always remove the handle when the pan is in use.

The grill door must remain open when lighting and using the grill.

If the burner accidentally extinguishes turn the control knob to the 0 position and release it. Wait at least 1 minute and repeat the steps above to turn on the appliance.

Although the grill heats up quickly, it is recommended that a few minutes preheat be allowed.

It is normal for the flames on this burner to develop yellow tips as the grill heats up.

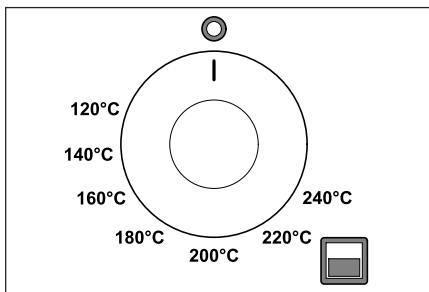
### Turning off:

- Turn the control knob clockwise to the 0 position to turn off the burner.



Always make sure the control knob is in the 0 position when you have finished using the grill.

## Use of the oven



For the exact location of the control knob, see:

### Turning on:

- Open the door and push in the control knob.
- Continue pressing the knob and turn it anti-clockwise to the full rate position. (240°C/240°C, gas mark 7/9).
  - For spark ignition models: Push the ignition button.
  - For non-ignition models: Hold a lit match or gas match to the burner.
- Keep the control knob pressed for about 10-15 seconds and then release it.
- Adjust the required heat setting.
- Place the oven shelf in the required position and close the door.

Ignition must always be carried out with the oven door open.

If the burner accidentally extinguishes turn the control knob to the 0 position and wait at least 1 minute before re-igniting the burner.

If the burner was not lit within 15 seconds turn the control knob back to the 0 position and release it. Wait at least 1 minute and repeat the steps above to turn on the appliance.



Although the oven heats up quickly, a 10-minute preheat is recommended. The oven should reach full temperature in about 15-20 minutes.

#### Turning off:

- Turn the control knob clockwise to the 0 position to turn off the burner.



Always make sure the control knob is in the 0 position when you have finished using the oven.

#### Safe cooking

- Do not allow cooking vessels to overlap the edges of the appliance - use the correct sizes of pans and position them centrally over the burners.
- Ensure that there is at least a 10mm gap between the pans and the edges of the hob.
- Turn the pans so that the handles do not overhang the front of the appliance.
- Ensure that the flame of the gas burner heats the bottom of the pan, not the sides.
- The pans and trays supplied with this appliance are the maximum sizes. Do not use larger pans and trays. They may restrict good circulation of heat, which may increase cooking times.
- The oven shelf allows good circulation at the rear of the oven.
- A raised bar at the rear of the shelf prevents trays or dishes making contact with the back of the oven.
- To remove a shelf, pull it forward until it stops, raise at the front and remove.
- To place a shelf in the oven, lower it at the front and slide it backward until it stops.
- Do not leave the appliance unattended when in use.
- Do not use the appliance while the vehicle is moving.
- Turn the control knob back to the 0 position after cooking.
- Keep the appliance clean and prevent accumulation of grease and food scraps.

Never cover slots or holes in the appliance and never cover a shelf with materials such as aluminium foil. That restricts the airflow and may cause carbon monoxide poisoning.

The food shelves and trays in the appliance are hot during and after use. Allow all parts to cool before touching them, as this can cause serious injury. Always use oven gloves when removing the shelves and trays.




#### Temperature control

The temperature in the oven is controlled by a thermostatic gas tap and is variable over the range 130°C to 240°C.

The table overleaf provides a guide to the approximate temperatures at each of the shelf positions with respect to the gas mark setting. Good use can be made of the temperature variation between the shelf positions, as several dishes requiring different temperatures may be cooked at the same time. In this way maximum benefit can be obtained from the gas used to heat the oven.



## Temperature zones

Gas Mark				Dish
1/4 - 1/2	90°C	110°C	130°C	Meringues
1	110°C	130°C	150°C	Stewed fruit
2	120°C	140°C	160°C	Rich fruit cake, rice pudding
3	130°C	150°C	170°C	Baked custard, shortbread finger
4	140°C	160°C	185°C	Victoria sponge
5	155°C	180°C	200°C	Whisked sponges, ginger nuts
6	170°C	190°C	215°C	Short crust pastry
7	185°C	210°C	230°C	Bread, scones, flaky pastry
8	200°C	220°C	245°C	Puff pastry
9	215°C	240°C	260°C	Quick browning



Care should be taken not to overload the oven, allow adequate spacing to ensure free circulation of heat.



When roasting with aluminium foil ensure the foil does not impair circulation of heat or block any oven flue outlet.

## Maintenance and cleaning

Thetford recommends an annual inspection service by an approved service centre. Between annual servicing, clean the appliance regularly after use. Before any cleaning work is started, the appliance should have been left to cool and be disconnected from the gas and electrical supplies.

- Always remove any spills or contamination immediately after use with soap and hot water. Towel dry the surface with a soft cloth.
- Use a non-abrasive multi-purpose cream cleaner and a nylon scourer pad to clean more stubborn dirt or grease.
- Use a proprietary stainless steel cleaner or polish to remove superficial surface scratching.
- Do not use abrasive cleaners, metal scouring pads or hard brushes. They could damage the appliance.
- If you clean the burner rings, ensure that the holes are not clogged.
- Do not use harsh abrasive cleaners or sharp metal scrapers to clean the glass surface, since they can scratch the glass surface which may result in shattering of the glass.
- Do not leave wet cloths, cleaning pads, residues of food or cleaning products or other dirt to dry on the surface. It can cause pitting, marking or even rusting.
- Always clean in the direction of the brushed finish and not across the grain.
- Cleaning agents containing bleach should not be left in contact with stainless steel.
- Mineral content in water (such as iron or lime scale) can affect the appearance of the metal.
- Remove any spillage from the glass lid before opening the lid.
- The control knobs can be removed for cleaning. The knobs are easy to replace.



## Refrigerator

### Operation

The refrigerator is equipped to operate on three power modes:

- **Mains voltage (230V AC)**
- **Direct-current voltage (12V DC)**
- **Gas (liquid gas propane/butane)**

Select the desired power mode by the **energy selector switch** (battery igniter type models) or the **energy selector button** (MES, AES). Appliances with automatic energy selection (AES) are additionally provided with "automatic mode" function. Then the AES system automatically selects the best energy source for each particular situation.

The cooling unit is silent in operation.

When the appliance is first put into operation, there may be a mild odour which will disappear after a few hours.

The refrigerator will take several hours to reach its operating temperature in the cooling compartment. The freezer compartment should be cold about one hour after switching on the refrigerator.

### Cleaning

Before starting up the refrigerator, it is recommended that you clean it inside and repeat this at regular intervals.

Use a soft cloth and lukewarm water with a mild detergent. Then wipe out the appliance with clean water and dry thoroughly.

To avoid material alterations, do not use soap or hard, abrasive or soda-based cleaning agents. Do not allow the door seal to come into contact with oil or grease.

## Maintenance

- In compliance with the applicable regulations, please note that the gas unit and the connected ventilation ducts must be checked by authorised technical personnel after first use and after every other year for compliance with the European Standard EN 1949. A test certificate has to be issued. **It is the user's responsibility to arrange this test.**
- The gas burner must be inspected and cleaned as necessary at least once a year. When using liquefied petroleum gas (tank or refill cylinders) the maintenance interval is reduced to half-yearly or quarterly. Keep the evidence of maintenance work carried out on your refrigerator.
- Work on gas and electrical equipment shall be carried out by qualified personnel only. It is recommended that this is carried out by an authorised customer care department.

We recommend maintenance following an extended shutdown of the vehicle. Please contact our customer care.

### Electrical operation

#### 12V-voltage (on-board power supply)

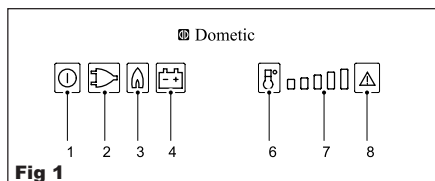
**CAUTION:** The refrigerator should only be used in 12V DC operation while the vehicle's engine is running, otherwise the on-board battery would be discharged within a few hours.

#### Mains power (230V)

**CAUTION:** This option should only be selected where the supply voltage of the connection for power supply corresponds to the value specified on the data plate. Any difference in values may result in damage to the appliance.



## Manual energy selection/automatic ignition on MES:



- 1 = Power ON/OFF switch
- 2 = Energy selector button 230V ~
- 3 = Energy selector button GAS
- 4 = Energy selector button 12V =
- 6 = Temperature level selection
- 7 = Temperature level display
- 8 = Indicator LED failure / Reset button GAS FAILURE

### Switching ON/OFF

- Switch ON by pressing button (1), 2s
- Switch OFF by pressing button (1), > 2s

### 230V AC operation

- Select "Mains voltage" by pressing button (2)
- Set temperature step by pressing button (6)

### 12V DC operation (vehicle's battery)

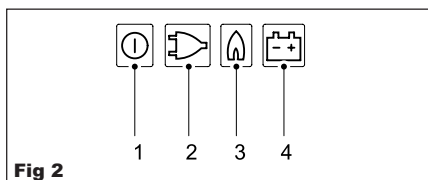
- Select "Battery voltage" by pressing button (4)
- Set temperature step by pressing button (6)

### Gas operation

- Select "Gas" by pressing button (3)
- Set temperature step by pressing button (6)

## MES appliances (manual energy selection)

### Electrical operation



To start the refrigerator, press button (1) for 2 seconds.

The refrigerator starts with the last selected type of energy.

### 230V operation:

Press button (2):

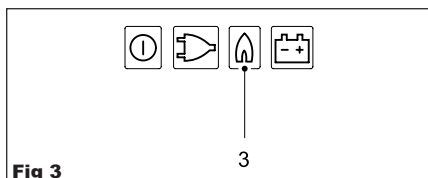


### 12V operation:

Press button (4):



### Gas operation



### Gas operation:

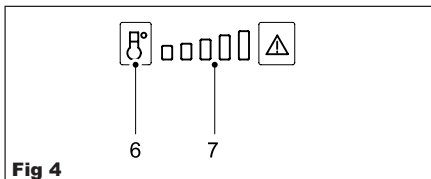
Press button (3):



The ignition process is activated automatically by means of an automatic igniter.

The flame extinguishes after reaching the pre-set cooling compartment temperature and ignites again if the cooling compartment temperature increases again. If the flame is not lit after the first ignition attempt, the automatic igniter repeats the ignition twice (duration 30s) at time intervals of 2 minutes. If the flame is not lit afterwards, a fault is indicated.

## Setting of cooling compartment temperature



Select the desired cooling compartment temperature by pressing button (6).

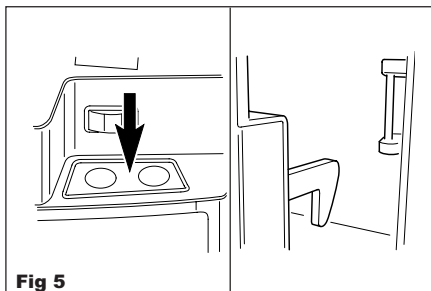
The LED display (7) of the selected temperature setting is illuminated.

The scale starts with **MIN position** at the left LED position (small bar = highest temperature) and climbs up to **MAX position** at the right LED position (large bar = lowest temperature).

**Note:** The temperature levels do not relate to absolute temperature values.

## Door locking

**CAUTION:** As a basic rule, shut and lock the refrigerator before you start your journey!



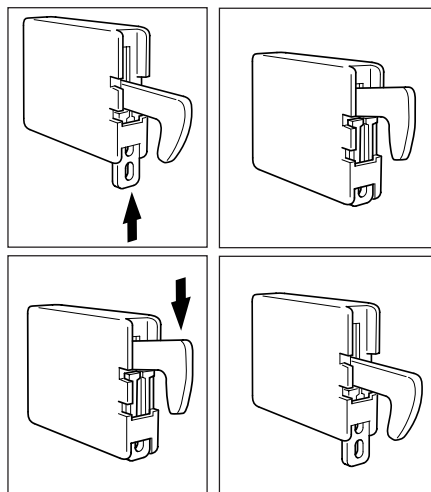
Open the door by pressing the locking button and pull open (Fig 6).

Shut the door again by pushing it to close. The snapping into the lock can be heard.

While the vehicle is parked, the locking hook may be fixed to facilitate opening of the door.

## Fastening and releasing the door lock when parking the vehicle

If the vehicle is parked for a longer period of time, the locking hook may be clamped by means of a lockbar. The door may now be opened by just pulling it without need of pressing the locking button.

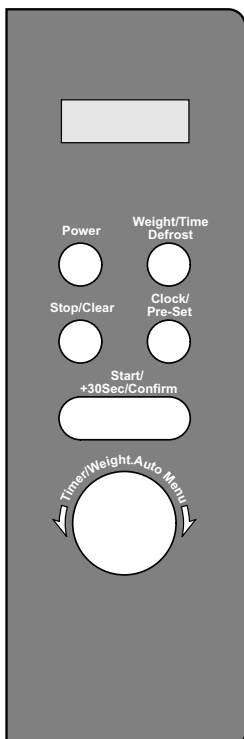


**Fig 6**





## MICROWAVE (When installed)



**MENU ACTION SCREEN** Cooking time, power, auto and the clock time are displayed.

**POWER** Press to select the power level for microwave cooking.

**WEIGHT/TIME DEFROST** Press this button to input weight for defrosting.

**CLOCK/PRE-SET** Press this button to input weight for defrosting.

**STOP/CLEAR** Press to stop the cooking process.

**TIMER/WEIGHT . AUTO MENU** Rotate to select the cooking time and the auto menus.

**START/+30SEC/CONFIRM** Press this button to start the cooking process and confirm when programming.

**DOOR OPEN** Pull the handle to open the door.

## Microwave cooking

- 1 Press the "POWER" button once and "P100" will display and flash.
- 2 Turn the "TIMER/WEIGHT" to select the microwave power. "P100", "P90", "P80", "P70", "P60", "P50", "P40", "P30", "P20", "P10" and "P00" will display in order.
- 3 Press "START/+30 SEC" to confirm.
- 4 Turn the "TIMER/WEIGHT" dial to adjust the cooking time. (The time setting should be between 0:05-95:00).
- 5 Press "START/+30 SEC" to start the cooking process.

Press power button	Cooking power
P100	100%
P90	90%
P80	80%
P70	70%
P60	60%
P50	50%
P40	40%
P30	30%
P20	20%
P10	10%
P00	0%

To stop the cooking process at any time press the "STOP/CLEAR" button.

For further appliance information please refer to microwave user manual.



## Battery Charger

The battery charger for the caravan battery will automatically switch on when the caravan is connected to a mains supply. The battery charger will also provide a 12V supply to the caravan when a battery is not connected. Please note that the battery charger fitted is designed to keep your battery charged and is not designed for charging up a flat battery.

## Smoke Alarm

### Operation

The smoke alarm is operating once a fresh battery is installed and testing is complete. When products of combustion are sensed, the unit sounds a loud 85db pulsating alarm until the air is cleared.

**Hush Control** - The "HUSH" feature has the capability of temporarily desensitising the alarm circuit for approximately 8 minutes. This feature is to be used only when a known alarm condition, such as smoke from cooking activates the alarm. If the smoke is not too dense, the alarm will silence immediately and the Red LED will flash once every 10 seconds for approximately 8 minutes. This indicates that the alarm is in a temporarily desensitised condition. The smoke alarm will automatically reset after approximately 8 minutes and sound the alarm if particles of combustion are still present. The "HUSH" feature can be used repeatedly until the air has been cleared of the condition causing the alarm.

**Note:** Dense smoke will override the hush control feature and sound a continuous alarm.

**CAUTION:** Before using the alarm hush feature, identify the source of the smoke and be certain a safe condition exists.

**Flashing LED Light** - This smoke alarm is equipped with a flashing red indicator light. The light is located under the test button and will flash every 40 seconds to indicate that the smoke alarm is receiving power.

**Testing** - Test by pushing the test button on the cover and holding it down for a minimum of 5 seconds. This will sound the alarm if the electronic circuitry, horn and battery are working. If no alarm sounds, the unit has defective batteries or other failure. **DO NOT** use an open flame to test your alarm, you could damage the alarm or ignite combustible materials and start a structure fire.



## **TEST THE ALARM WEEKLY TO ENSURE PROPER OPERATION.**

Erratic or low sound coming from your alarm may indicate a defective alarm and it should be returned for service.

**Note:** Weekly testing is required.

## **Nuisance Alarms**

Smoke alarms are designed to minimise nuisance alarms. Cigarette smoke will not normally set off the alarm, unless the smoke is blown directly into the alarm. Combustion particles from cooking may set off the alarm if the alarm is located close to the cooking area. Large quantities of combustible particles are generated from spills or when boiling. Using the fan on a range hood which vents to the outside (non-recirculating type) will also help remove these combustible products from the kitchen. If the alarm does sound, check for fires first. If a fire is discovered, get out and call the fire department.

## **Maintenance**

### **Battery Replacement**

The smoke alarm is powered by a 9V battery. A fresh battery should last for one year under normal operating conditions. This alarm has a low battery monitor circuit which will cause the alarm to "chirp" approximately every 30-40 seconds for a minimum of seven days when the battery gets low. Replace the battery when this condition occurs.

**Note:** Use only the following 9 volt batteries for smoke alarm battery replacement:

Alkaline Type: Energizer 522; Duracell MN1604, MX 1604; Gold Peak 1604A.

**Note:** Weekly testing is required.

**WARNING: Use only the batteries specified. Use of different batteries may have a detrimental effect on the smoke alarm.**

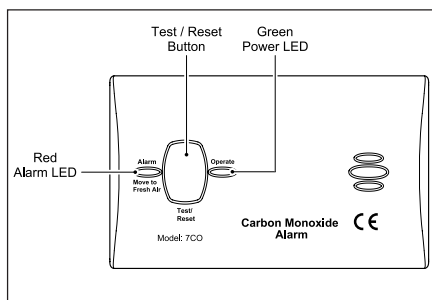
## **Cleaning your alarm**

Your alarm should be cleaned at least once a year.

To clean your alarm, remove it from the mounting bracket. You can clean the interior of your alarm (sensing chamber) by using compressed air or a vacuum cleaner hose and blowing or vacuuming through the openings around the perimeter of the alarm. The outside of the alarm can be wiped with a damp cloth.

After cleaning, reinstall your alarm and test it by using the test button. If cleaning does not restore the alarm to normal operation the alarm should be replaced.

## CARBON MONOXIDE ALARM



## Switching on your CO alarm

**Note:** Your CO alarm must be installed by a competent person using the following guidance:

- Remove the batteries from the pack and insert them into the battery compartment. Make sure that you fit the batteries correctly to the polarity markings (+ or -) shown within the battery compartment. If correctly installed the alarm will give a short beep.
- To test the alarm, press the test button. The alarm will beep once followed by 4 loud pulses, then a brief pause and then 4 more pulses, ending with a single beep.
- Check that the green LED flashes at 30 second intervals to show that the alarm has power. This is easiest to see in a dark area, or with lights switched off.

## Recognising alarm signals and warnings

Feature	What this means	Required Action
Green LED flashes every 30 seconds	Normal operation	None
The alarm chirps every 60 seconds and the red LED flashes	Low batteries	Replace batteries as soon as possible
Alarm chirps twice every 30 seconds and the red LED flashes twice	End of life of the alarm	Replace the alarm
Alarm chirps every 30 seconds and red LED flashes every 30 seconds	Fault	Replace the alarm
Red LED on and constant tone	Malfunction	Replace the alarm
Loud continuous alarm with the red LED	Dangerous levels of CO have been detected	Follow emergency procedures.

## Using your alarm

### Testing

Test your alarm each week by pressing the test button. The alarm will beep once followed by 4 loud pulses, then a brief pause and then 4 more pulses, ending with a single beep. While in full alarm the red LED will flash for 10 seconds.

This confirms that the alarm is powered up and working.

### Re-setting the alarm

If the alarm sounds, the test/reset button will silence the alarm unless it is still detecting dangerous levels of CO. The green light will then flash every 30 seconds to indicate that the alarm has power.

### Replacement of batteries

Under normal operating conditions, the batteries will last a minimum of one year. These batteries can be purchased from your local retailer.



**End-of-life** - This alarm will chirp every 30 seconds with a red LED flash after at least 10 years operation to let you know it has reached its end of life. A replacement needs to be purchased.

### **Carbon Monoxide Alarm Procedure**

What to do if your alarm sounds

If alarm sounds (4 loud audible pulses followed by a pause for 5 seconds):

- Immediately move to fresh air - outdoors or by an open door/window. Do a head count to check that all persons are accounted for. Do not re-enter the caravan nor move away from the open door/window until the emergency services responders have arrived, the caravan has been aired out and your alarm remains in its normal condition.
- Call Gas Emergency Services: 0800 111 999 or your local Gas Safe Registered Engineer.

Never restart the source of the CO problem until it has been corrected. Never ignore the sound of the alarm! If the alarm is sounding, pressing the test/reset button will terminate the alarm. If the CO condition that caused the alert in the first places continues, the alarm will reactivate. If the unit alarms again within six minutes, it is sensing high levels of CO which can quickly become a dangerous situation.

**WARNING: Activation of the alarm indicates the presence of Carbon Monoxide (CO) which can kill you.**

### **Maintenance of your alarm**

To keep your alarm in good working order:

- Test every week
- Vacuum regularly to remove dust
- Keep away from solvents or detergents
- Avoid spraying air-freshener, hair-spray near the alarm
- Do not paint the alarm. If decorating or using adhesives close to the alarm, remove it temporarily.

The following substances can affect the sensor and cause false alarms.

Methane, Propane, Iso-butane, Iso-propanol, Ethylene, Benzene, Toluene, Ethyl acetate, Hydrogen Sulphide, Hydrogen, Sulphur Dioxide, alcohol based products, paints, thinners, solvents, adhesives, hair-sprays, aftershaves or perfumes and some cleaning agents.

**WARNING: This Carbon Monoxide alarm is not a smoke alarm. It will not sense smoke, fire or any poisonous gas other than carbon monoxide.**



## THETFORD C-260 CASSETTE TOILET RANGE

### Introduction

The Thetford Cassette Toilet is a high quality product. The toilet forms an integral part of your caravan bathroom, thanks to its functional design which combines modern styling and ease of use. The C-260 Cassette Toilet is manufactured from high quality synthetic materials which makes it a durable, user and maintenance friendly toilet.

The toilet is made up of two parts: a permanently fixed part and a Waste Holding Tank that is accessible from the outside. The removable Waste Holding Tank is located under the toilet bowl and can be removed via a door on the outside of the caravan. The Thetford Cassette Toilet is the solution to the sanitary problem in your caravan!

The operating instructions cover Thetford Cassette Toilet models C-260S, C-260CS (models connected to the vehicle's central water tank) and C-260CWE (model with its own flush-water tank). There are differences in the use of these models. Please ensure that you follow the instructions that apply to your toilet model.

### Preparing for use (standard)

1. Open the access door on the outside of your caravan.
2. Remove the Waste Holding Tank by pulling the safety catch (which holds the tank in place) upwards.
3. Pull the Waste Holding Tank outward to the stop. Tip it slightly and take the tank fully out.
4. Place the tank upright and turn the rotating emptying spout upwards. The emptying spout ensures that the tank can be easily and hygienically emptied.
5. Remove the cap, with the measuring cup inside, from the emptying spout and pour the correct dosage of Thetford toilet fluid (see product label) into the holding tank. This avoids unpleasant smells and keeps the inside of the tank clean. Next add approximately 2 litres of water - enough to ensure that the bottom of the Waste

Holding Tank is covered. Far more information on Thetford toilet fluids, see last page of this manual. Screw the cap back onto the emptying spout and turn back to its original position.

**Note:** The Emptying Spout Measuring Cap is supplied in the same packaging as this manual.

**WARNING: Never add toilet fluid directly via the blade or the toilet bowl as this could damage the lip seal of the Waste Holding Tank. Always pour the fluids via the emptying spout.**

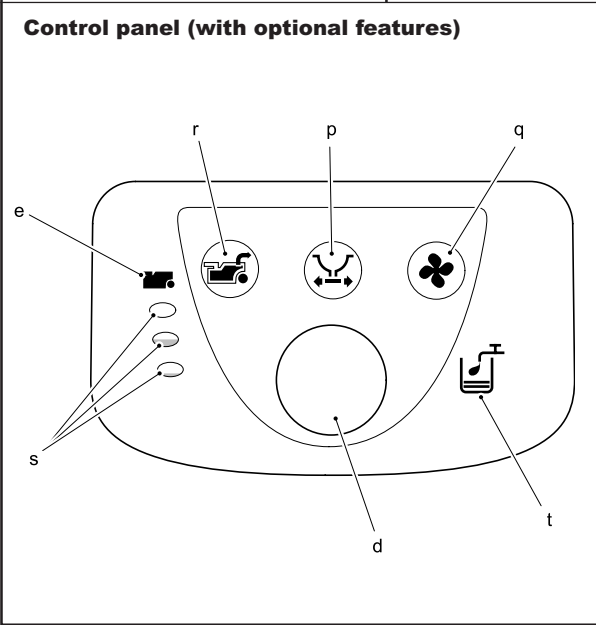
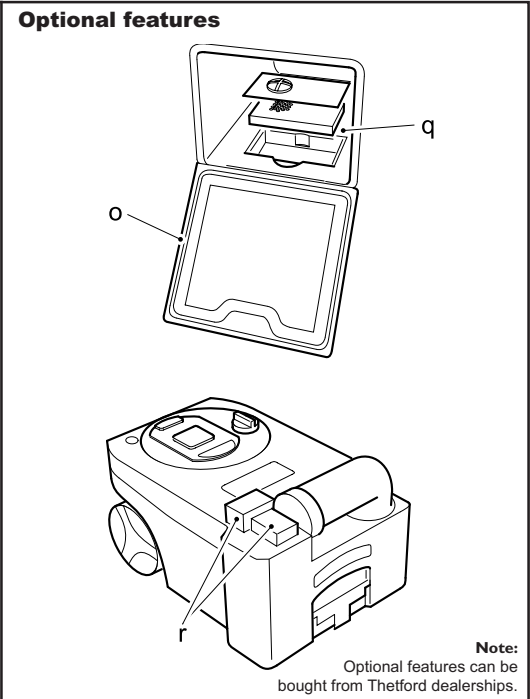
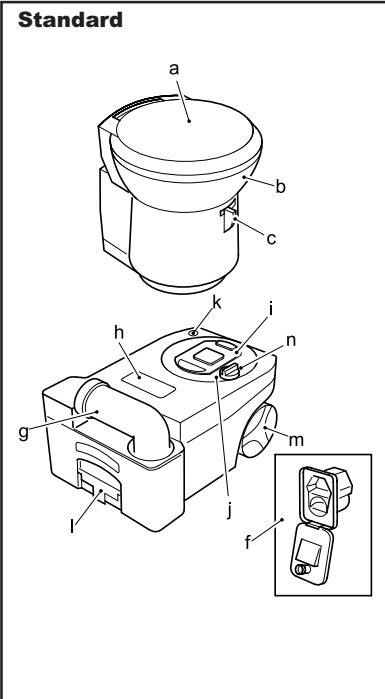
6. Slide the Waste Holding Tank back into its original position via the access door. Make sure that it is secured with the safety catch. Close the access door and lock it. Your Thetford toilet is now ready to use.

**WARNING: Never use force if you cannot get the tank back into place easily. This may cause serious damage. If blockage occurs, always check if the blade handle is in the correct (closed) position.**

7. For toilets with own Flush-Water Tank: Open the water filling door and fill the flush-water tank with the correct dosage of Aqua Rinse. This Thetford toilet fluid keeps the flush water fresh and improves the flushing. Next, fill up the flush-water tank with clean water (approximately 8 litres) using a ferry can or hose. Your toilet is now ready to use.

### Preparing for use with Optional Features

8. Automatic Ventilator: Open the access door on the outside of your caravan and remove the Waste Holding Tank (as described above).
9. Remove the filter housing cover and if no filter is present, place a new filter into the filter housing. Peel off the sticker lids on the filter. Place back the cover of the filter housing.



- PARTS**
- a) Removable Seat and Lid
  - b) Swivelling Toilet Bowl
  - c) Blade Handle
  - d) Flush Button
  - e) Waste Holding Tank Level Indicator
  - f) Water Filling Door (only if toilet has own flush-water tank)
  - g) Rotating Emptying Spout
  - h) Automatic Pressure Release Vent
  - i) Sliding Cover
  - j) Removable Mechanism
  - k) Vent Plunger
  - l) Pull-out Handle
  - m) Wheels
  - n) Blade Openener
  - o) Access Door to Waste Holding Tank
- Optional Features**
- p) Electric Blade
  - q) Automatic Ventilator
  - r) Waste Pump-Out System
  - s) Waste Holding Tank Multi-Level Indicator
  - t) Flush-Water Tank Level Indicator (only if toilet has its own flush-water tank)



## Using the toilet (standard)

10. Turn the bowl to the desired position with the lid closed and using both hands.
11. To activate the control panel, press the flush-button once. The control panel display will stay activated for approximately 5 minutes. Run some water into the bowl by pressing the flush button again briefly.
12. The toilet may be used with the blade open or closed. To open the blade, slide the blade handle under the toilet bowl sideways. After use, open the blade (if still closed) and flush the toilet by pressing the flush button for several seconds (if necessary re-activate the control panel). Close the blade after use.

**WARNING: If your toilet has its own flush-water tank, please make sure that you do not travel with a flush-water tank that is too full. Do not travel with water in the toilet bowl. Failure to adhere to this notice may result in water damage to your caravan or motor home.**

## Using the toilet with Optional Features

13. Electric Blade: Push the electric blade button on the control display to electrically open or close the blade. In the case of failure, you can manually open or close the blade by sliding the small handle under the toilet bowl sideways.
14. Automatic Ventilator: The ventilator automatically starts when the control panel is activated (by pressing the flush button) and will automatically shut off after approximately 5 minutes. The Automatic Ventilator Indicator will flash until automatic shut-off occurs. If you want to stop the ventilator, press the Automatic Ventilator button. If you want to re-start the ventilator, press the button again (the LED will start flashing again).
15. Flush Water Tank Level Indicator (only for toilets with own flush-water tank): When the Flush Water Tank Level Indicator lights up, refill the flush-water tank, as only about 1.5 litres of water is left in the tank, which is sufficient for approximately 2 flushes.

## Emptying

The Waste Holding Tank has a capacity of 18 litres and requires emptying when the red light (LED) on the toilet control display lights up, when the Waste Holding Tank only has capacity for approximately 2 more litres, which is no more than two to three further uses.

Make sure that the blade is closed. Open the access door located outside the vehicle, pull the safety catch upwards and remove the Waste Holding Tank.

16. Place the Waste Holding Tank in an upright position (Pull-Out Handle at the top, Wheels at the bottom). Slide the handle sideways - to the front of the tank - until it snaps out of its locked position.
17. Pull the handle up and wheel the Waste Holding Tank to an authorised waste disposal point.
18. Push the handle back into its locked position. Turn the emptying spout upwards and remove the cap from the spout. Hold the Waste Holding Tank in such a way that during emptying you can operate the vent plunger with your thumb. To empty the tank without splashing, depress the vent plunger while emptying the tank. After emptying, rinse the tank and blade thoroughly with water.

**WARNING: Do not seriously shake the tank or use high pressure water cleaners. This may cause damage to the tank's interior.**

**Note:** The vent plunger should only be depressed once the emptying spout is pointing downwards. Prepare the toilet for re-use if required. Slide the Waste Holding Tank into the toilet and close the access door.

## Emptying with Optional Features

19. Waste Holding Tank Multi-Level Indicator: The lower lamp indicates that the Waste Holding Tank is almost empty; the middle lamp indicates that it is more than half full; when the upper lamp lights up, the tank needs emptying as it can only take 2 - 3 further uses.





**Note:** The Waste Holding Tank Level Indicator will flash when the holding tank is not present. In this case the toilet will not flush.

20. Waste Pump-Out System: When activating the control panel this feature automatically lights up. When the Waste Holding Tank Level Indicator illuminates, press the Waste Pump-Out button to pump out the waste from the holding tank into the vehicle's waste tank. The button will flash while the waste is being pumped and will stop automatically (after approximately 5 minutes) when all waste has been transferred. If the vehicle's waste tank is full, the Waste Pump-Out light will flash rapidly and no pump-out will be possible until the central tank is emptied. (Check the level of the vehicle's waste tank on the vehicle's central console). After the Waste Holding Tank has been emptied, there will be approximately 1.5 litres of waste left in the tank. This is normal. Add 2 litres of water and a correct dosage of Thetford toilet fluids to the Waste Holding Tank.

**CAUTION:** It is vital that the correct amount of toilet fluid is added to ensure the proper breakdown of the waste in the holding tank. Only use the system when the tank is full. Using the system too often on an empty tank can cause damage to the pump, which could cause the system to fail.

### Cleaning and Maintenance

The toilet should be cleaned and maintained regularly, depending on the amount of use. To clean Thetford toilets, we advise using water and Thetford Bathroom Cleaner.

**Note:** Never use bleach, vinegar or other powerful household cleaners that contain these substances. These may cause permanent damage to the seals and other toilet components.

### Toilet Bowl

- Squirt Thetford Bathroom Cleaner into the toilet bowl.
- Flush the toilet bowl with water and wipe down the rest of the toilet with a damp cloth.

- Clean seat and lid The seat and lid can easily be removed: Lift the seat and lid assembly and pull the round pins (inside the assembly) outwards from the pin holes. After cleaning, replace the seat and lid by positioning the round pins in front of the pin holes and push the lid and seat downwards.
- To keep your flush water fresh and to prevent deposits from forming in your toilet bowl, add a correct dosage of Aqua Rinse in your flush water tank, if present, on your toilet.

**Tip!** For a really shining toilet, dry with a soft dry cloth after cleaning.

### Waste Holding Tank

To keep your Waste Holding Tank fresh and clean, Thetford has developed a number of different toilet fluids. Thetford toilet fluids suppress smells, reduce formation of gas, promote breakdown of toilet waste and increase the life span of a mobile toilet. We advise a thorough cleaning of the Waste Holding Tank once each season. Next to using Thetford's Cassette Tank Cleaner, the powerful cleaning agent for the periodical cleaning of the Waste Holding Tank of your toilet, we suggest the following: -

- Remove the removable mechanism from the Waste Holding Tank by turning it anti-clockwise and rinse it under a tap.
- Remove the cover plate from the Automatic Pressure Release Vent by prising it up using a small screwdriver. Use one hand to push the Automatic Pressure Release Vent open while holding the float of the Automatic Pressure Release Vent on the inside of the tank with the other hand. Push the float upwards, turn it 180 degrees and remove it from below. Remove the rubber seal underneath the float. Rinse the float and rubber seal under a tap. Replace the rubber seal and float for the Automatic Pressure Release Vent using the same method in reverse.

The rubber seals in the toilet (the lip seal, the mechanism seal, the automatic pressure release vent seal and the cap seal) should be



regularly cleaned with water and treated with Thetford High Grade Seal Lubricant. This will ensure that the seals remain flexible and in good condition. If the toilet is not to be used for any length of time, it is important to treat the seals with Thetford High Grade Seal Lubricant after cleaning.

**Note:** Never use Vaseline or any vegetable oil except olive oil. These may cause leakage or malfunction. The lip seal is a part of the toilet that is subject to wear. Depending upon the extent and manner of use, the seals will become less effective and will need replacing periodically.

## Cleaning and Maintenance for Optional Features

- Automatic Ventilation: The filter of the Automatic Ventilation needs to be renewed periodically. After approximately 4 full weeks of use, the filter loses its absorption power.
- Pump-Out Waste System: To ensure optimal functionality of the Pump-Out Waste System, periodical maintenance of the tube and pump is recommended. After emptying the Waste Holding Tank completely, fill it with clean water and empty it again. This will clean the pump and the hose. Do this once every 3 weeks when on holiday. This should ensure proper operation of the system.

## Winter operation

You can use your Thetford Cassette Toilet as normal in cold weather as long as the toilet is situated in a heated location. If there is a risk of freezing we advise that the toilet is drained by following the instructions under 'Storage'. For environmental reasons the use of antifreeze, such as that used in car radiators, is not recommended.

## Storage

It is important that you follow the instructions below if you do not expect to use your Thetford toilet for a long (winter) period.

- Activate the Control Panel by pressing the flush button. Open the blade and press the flush button until water stops flowing into the bowl. Close the blade.

Open the access door on the outside of your caravan or camper and empty the Waste Holding Tank at an authorised waste dump. Follow the instructions for cleaning and maintenance. To allow the Waste Holding Tank to dry, do not place the cap back on the emptying spout of the tank.

21. If the toilet has its own flush-water tank, place a sufficiently large bowl under the drain tube to catch the remaining water from the flush-water tank and remove the drain plug. When no more water exits, put the drain plug on the drain tube, put it back in its original position and close the access door. If the toilet is connected to the vehicle's water tank, please follow your vehicle's instructions for draining the central water system. If your toilet is optionally featured with a Waste Pump-Out System, take out the Waste Holding Tank and completely clean it (see Cleaning and Maintenance). After cleaning, fill it with water, put it back and empty it via the waste pump-out system. Repeat this twice.

## Toilet unit malfunctions

Contact your dealer or a Thetford Service Centre.

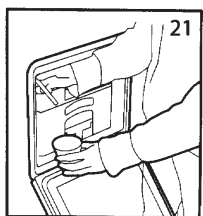
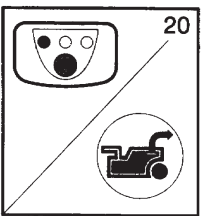
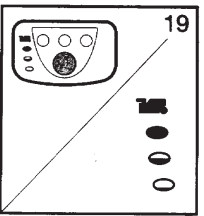
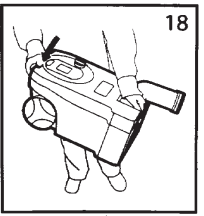
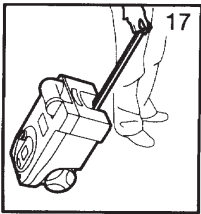
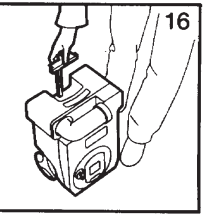
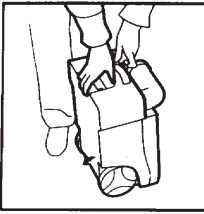
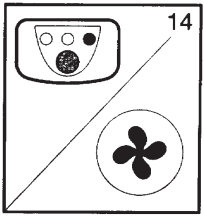
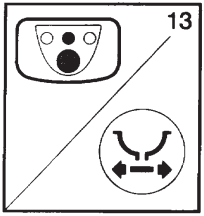
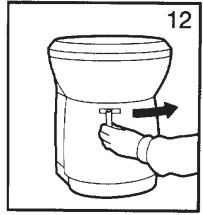
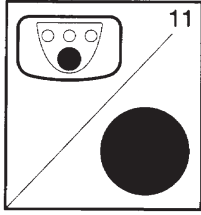
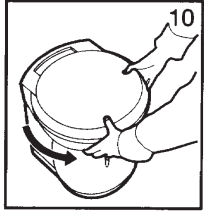
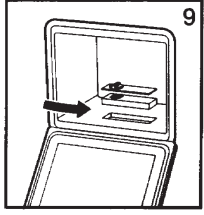
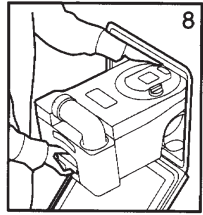
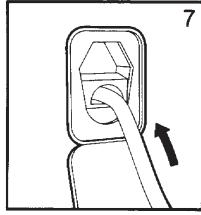
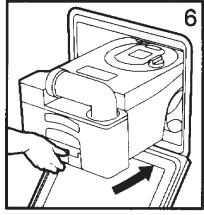
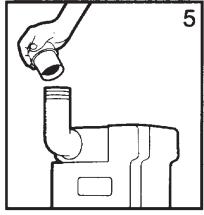
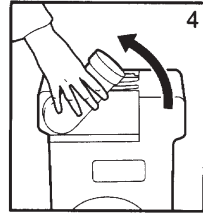
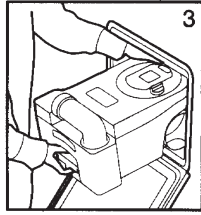
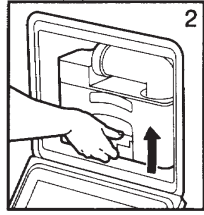
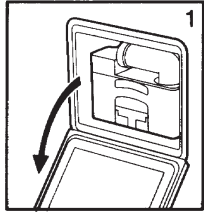
We advise draining the fresh water tank prior to travelling. Antifreeze should not be required if the motor home is heated. If you do wish to use antifreeze, brands containing the following properties may be used in the fresh water tank:

- Ethylene glycol
- Mono-Ethylene glycol
- Propane-diol
- Glycerol
- Ethane-diol
- Glycol

Never use alcohol based antifreeze, i.e. Methanol, Ethanol, and Iso-propanol.



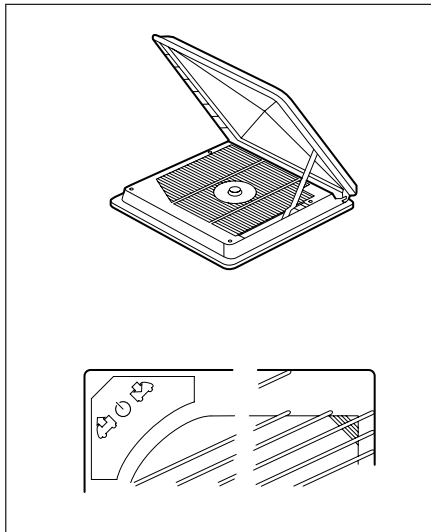
# HOW TO USE YOUR CARAVAN'S EQUIPMENT



## ROOFLIGHTS

Your caravan is fitted with at least one type of the following roof lights.

### The Omivent (12v) Rooflight (Option)



The Omivent is a double-glazed roof light constructed from a synthetic ultra-violet screened material. Its side-operating mechanism allows a completely free central opening with built-in fixed ventilation when closed. It operates as an extractor fan and air intake fan.

**Please note:** Do not change the direction of the fan unless it has been switched off 'O' position and the blades have stopped rotating.

### The Heki 2 Rooflight

To open to the tilted position:

- (i) Press the knob in the toggle catches on either side of the rooflight and turn through approx. 90°.
- (ii) Grasp the metal bar in the middle, snap it out of its holder, swivel down and press the rooflight upwards. (The rooflight is held by the two gas springs after approx. 150mm).
- (iii) Swivel the metal bar towards the rooflight and snap into its holder.
- (iv) To close the rooflight, proceed with steps (i-iii) in reverse order.

### To open in the intermediate position:

- (i) Open the toggle catches on either side of the rooflight.
- (ii) Grasp the metal bar in the middle; snap it out of its holder, swivel down and press the rooflight outwards. (Rooflight is opened automatically after approx. 150mm by the two gas springs.)
- (iii) Open both fasteners and swivel the metal strap toward the intermediate position and pull the rooflight down until the metal strap is stopped by the fasteners.
- (iv) To close, proceed with steps (i-iii) in reverse order.

### To open in the ventilation position:

- (i) Open the toggle catches on either side of the rooflight.
- (ii) Using both hands on the two toggle catches, press the rooflight up about 2cm and fasten the toggle catches in the corresponding setting.
- (iii) To close, proceed with steps (i-ii) in reverse order.

### Closing the blinds:

- (i) Take hold of the end rod (without rocker) in the recessed grip and engage in the opposite end rod (with rocker).
- (ii) Select the required position (blackout/ flyscreen) by moving both joined end rods together.

**CAUTION:** In extremely bright sunshine, the blackout blind must only be closed two-thirds, and the rooflight must be set in the continuous airing position.

### Opening the Blinds:

- (i) Move blind (end rod with rocker) right to the outside.
- (ii) Hold the recessed grip with one hand; with the other hand, press the rocker and move the blind back (do not let it recoil).

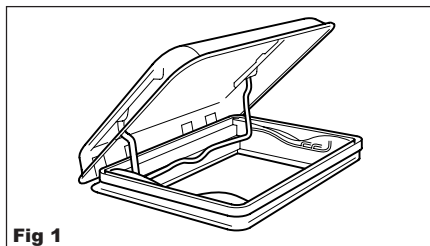
### CAUTION

- Do not stand on the acrylic rooflight.



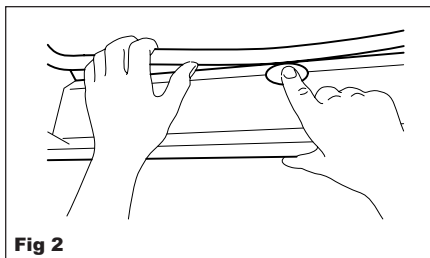
- Close HEKI 2 completely before moving off.
- Do not leave your caravan when HEKI 2 is open.
- Please consult your supplying dealer if you have any problems or defects.
- Remove any snow/ice or dirt before opening the roof.
- Do not open when it rains or when there is a strong wind.

## Midi Heki Rooflight



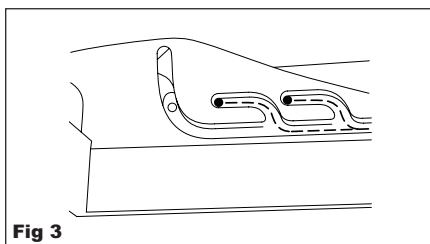
**Fig 1**

- (i) To open, push the large central button (Fig 2).



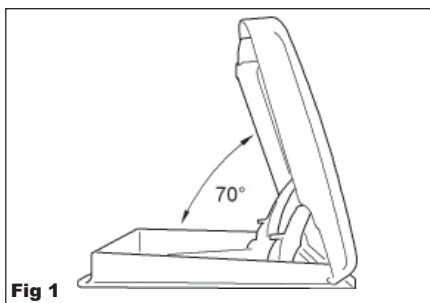
**Fig 2**

- (ii) Whilst depressed, slide the bar to the desired position and locate into the stops provided (Fig 3).



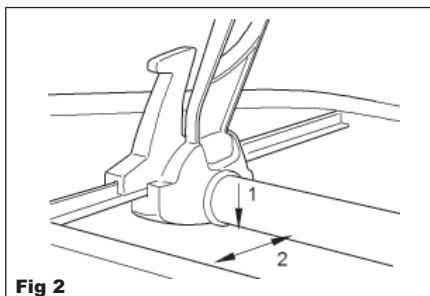
**Fig 3**

## MPK Rooflight

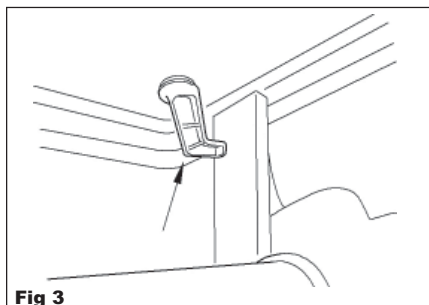


### Instructions

The rooflight can be raised to an opening angle, on one side, to a maximum of 70° (Fig 1). To open, pull the operating bar down unlocking the mechanism. Now move the bar forwards (in direction of travel) and the rooflight will open; all the time holding the bar down. As soon as the operating bar is released it will lock into position and the dome will stay at this angle (Fig 2).



To close the rooflight, pull the operating bar down, unlocking the mechanism. Now, move the bar backwards (against the direction of travel) and the rooflight will close; all the time holding the bar down. Once you reach the end position the hooks will lock the rooflight automatically. Release the operating bar and the rooflight will remain closed (Fig 3).



The flynet and the pleated blind can be operated together or separately. To open the rooflight dome both have to be opened.

**WARNING: To avoid heat accumulation do not close blind completely during the day. Open both pleats when not using the vehicle.**

### Before driving

**IMPORTANT:** All rooflights must be locked down before travelling. Make sure the flynet and the blind are in open position to avoid damage and noise by airflow.



## WINDOWS

Your caravan will be fitted with Polyplastic framed windows.

### Polyplastic Window Opening

- (i) In order to open the Polyplastic window it is only necessary to move the catch upwards and release the catch from the backing plate.
- (ii) The Polyplastic window should remain in the open position once opened, however if it does not then tighten the friction control on the window stays to increase the holding force.
- (iii) The Polyplastic window is also fitted with a night ventilation position where the catch is set to the centre position on the backing plate; in this position it may be possible for rain to enter the caravan in adverse conditions.

## BLINDS & FLYSCREENS

### Blinds

- (i) Pull blind down by its centre catch. Do not pull down by one side of the blind. This will inevitably lead to problems.
- (ii) Do not allow blinds to spring back freely. Always control them by hand.

### Flyscreens

- (i) To operate the flyscreen, either pull the screen fully down, fully up or across, dependant on type of window fitted, and clip into place on the blind/frame.
- (ii) To release, unclip from the blind/frame. If a cross bar is fitted, gently pull the crossbar downwards towards you and allow the tension of the spring to roll up the flyscreen.
- (iii) Where a crossbar is not fitted, disconnect from the blind catch and release gently.
- (iv) It is recommended that blinds are not in the closed position whilst the caravan is moving.

### Door Flyscreen

The exterior door flyscreen can be opened or closed from inside or outside the caravan and does not restrict door openings. When opening or closing the door flyscreen use the finger grip provided.

## SHOWER

### Using your Caravan Shower

To safely enjoy showering in your new caravan, the following guidelines should be used.

- Advise others that you are planning to have a shower and that they should not use other taps whilst you are showering.
- Ensure there is a sufficient supply of cold water available.
- Divert the shower head or move to the side, turn on the shower, carefully test the temperature with your hand and regulate the temperature as necessary before standing underneath the shower.
- Supervise closely the young, elderly and those with reduced mentally or sensory impairment.

**CAUTION:** Water may be very hot.

## TAPS

### Kitchen Taps

Your new caravan will be fitted with a domestic style mixer tap.

#### Operation

For correct operation of the tap, swivel the spout to the desired position over the sink. Lift the control lever to activate the pump and allow water to flow simultaneously. To adjust the temperature, swivel the lever to the left to increase the temperature and to the right to reduce the temperature.

**WARNING:** The water temperature could be very high so do not lift the lever with the tap turned to the full left position.

**CAUTION:** For winter storage and to prevent frost damage the tap swivel must be left in the centre up position.

### Washroom Taps and Showers

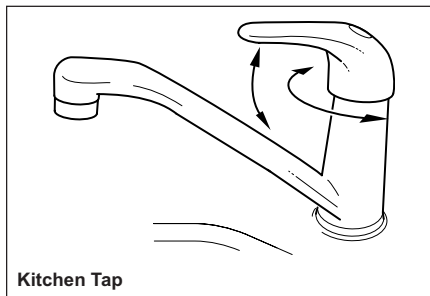
Your caravan will be supplied with either a vanity mixer tap or separate shower mixer, or with a combined mixer tap with retractable shower head.

#### Operation

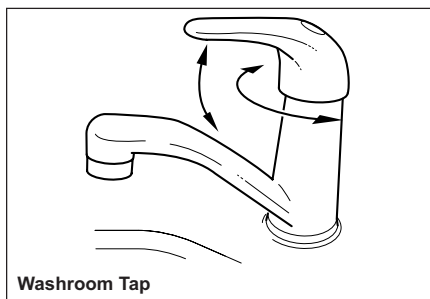
The mixer tap and shower mixer are operated in the same manner as the kitchen tap by lifting the control lever to activate the pump and swivelling the lever left or right to determine the temperature.

**WARNING:** The water temperature could be very high so always lift the tap in the centre position, then mix the water to achieve the desired temperature.

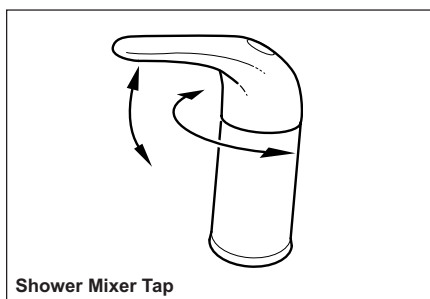
**CAUTION:** For winter storage and to prevent frost damage the tap swivel must be left in the centre up position.



Kitchen Tap



Washroom Tap



Shower Mixer Tap





## GAS LOCKER DOOR

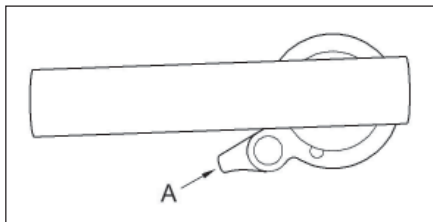
All caravan models are fitted with a gas strut supported door which will remain in the open position without the need for a holding bracket. This door will remain open unless locked by the key.

**Please Note:** It is important when raising your gas locker door that you do not push the door past the vertical position as this could damage the hinges. Also care should be taken when leaving the door in the open position to ensure that any wind cannot catch the door and push it open beyond the vertical position.

## INTERNAL DOORS

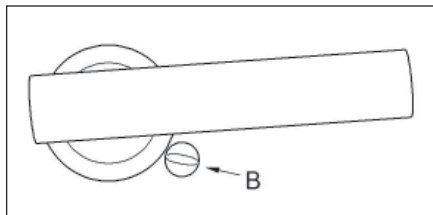
### Toilet/Shower Room Doors

#### Operation from within the shower room



To lock the door, push the small lever down (identified in the drawing as A) then to unlock, push this lever back to the original position.

#### Operation from outside the shower room

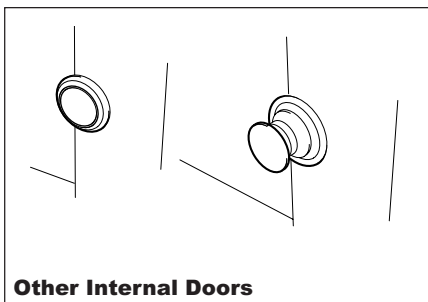


To open and close the door, push the lever down.

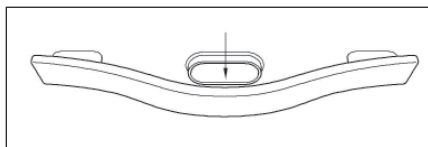
If the door is locked and needs to be opened, it can be opened by inserting a coin into the lower slot (identified in the drawing as B) and turning the slot.

## OTHER INTERNAL DOORS

Other internal doors such as the wardrobe and table storage locker are fitted with a 2-position button lock. Push the button to lock the door and the button should remain flush with the door. Push the button again to release and the button should then protrude from the door surface.



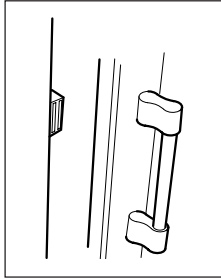
## Paddle Latch



To open the locker, push the paddle downwards and pull the handle towards you.

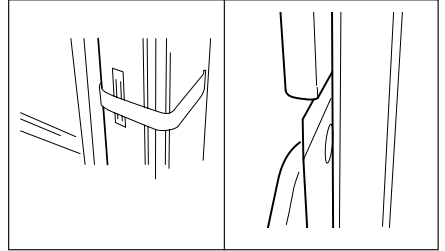
## MAGNETIC CATCHES

Magnetic catches work on contact with the metal plate on the rear of the door. Simply close the door until the magnet engages and holds the metal plate. Pulling the door towards you with a moderate force will be sufficient to disengage the magnetic catch and open the door.

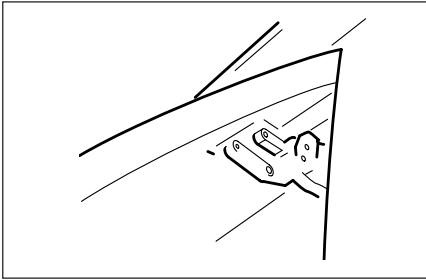


## ROOM DIVIDER

The room divider should be held in place during transit by the use of the strap with the stud fastening. When stationary, the room divider can be held shut by fitting the retainer catch into the fitted keep.



## SPRUNG HINGES



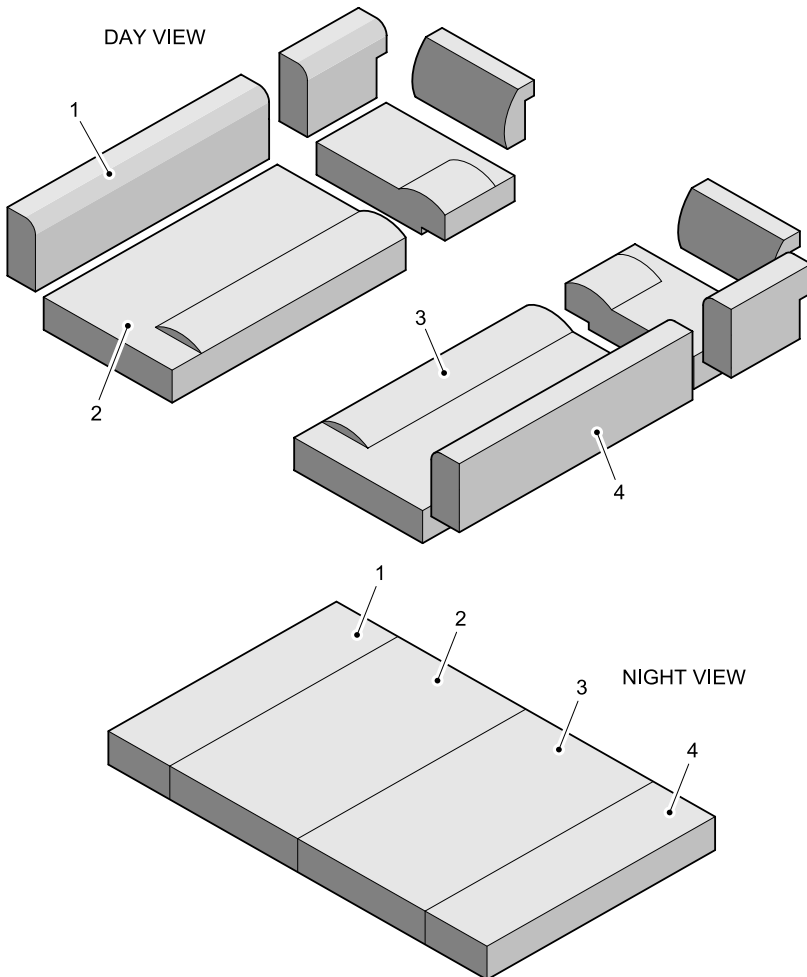
Overhead lockers will use sprung hinges. These are suitably strong enough when closed to securely retain the door and prevent it from opening in transit. Pulling the handle towards you with moderate force is sufficient to open the locker door and hold it in the open position.



## BED MAKE-UP

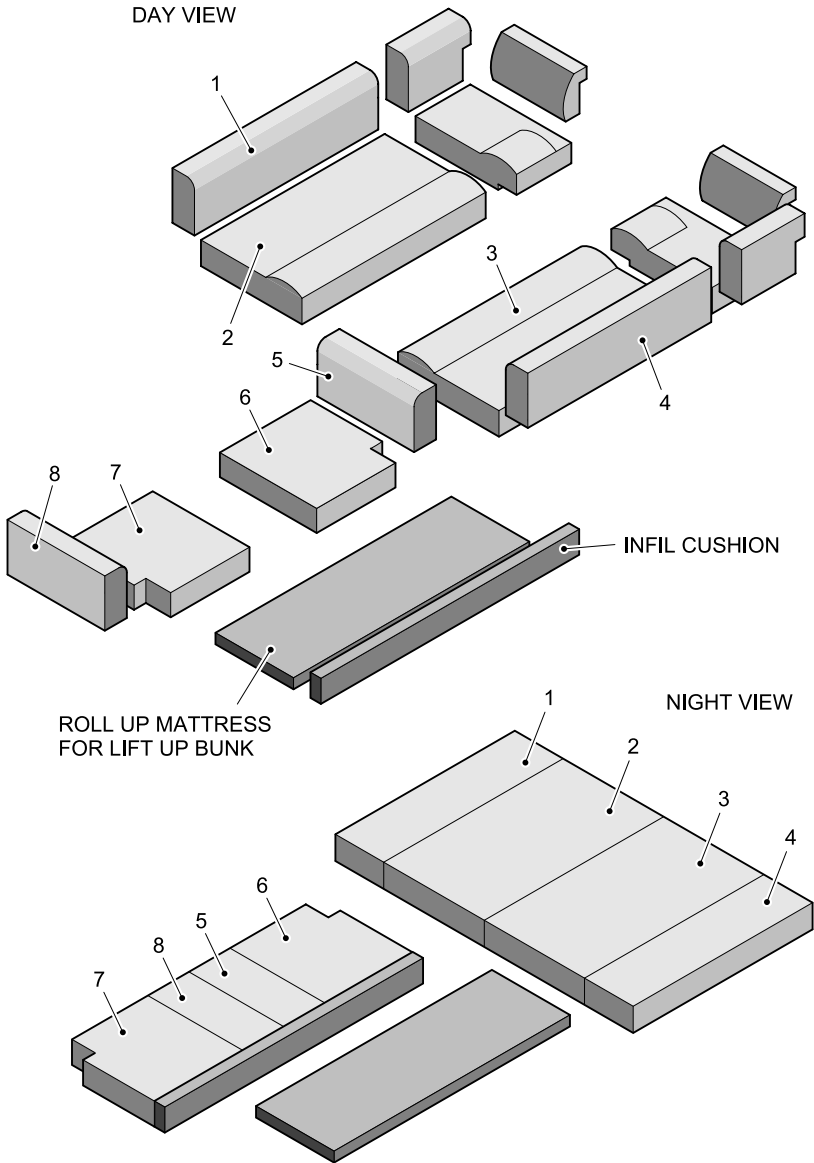
### Parallel Lounge

The two single beds can be easily converted into a double bed by pulling out the bed slats, stored beneath the chest of drawers or stored in the bed slat box at the front/end of the caravan. Arrange seat cushions appropriately.





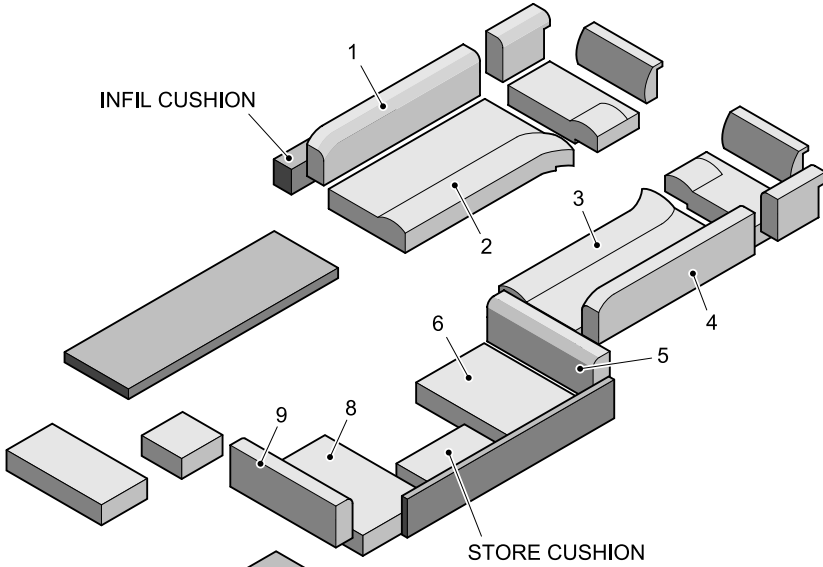
## Day and Night Bed Makeup - 586



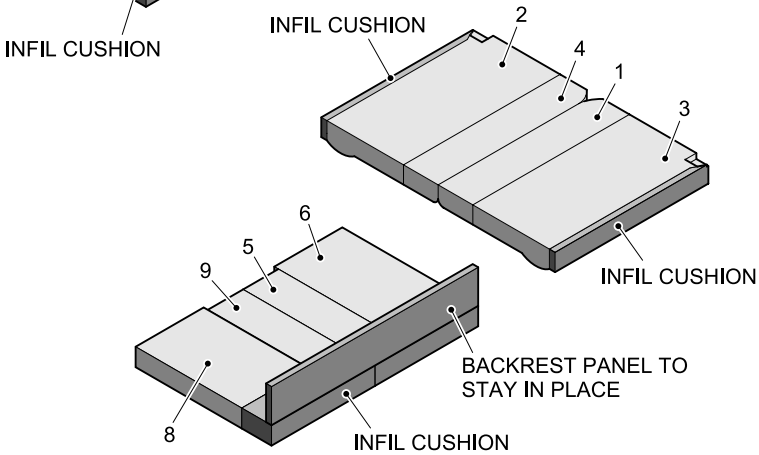


## Day and Night Bed Makeup - 866, 840

DAY VIEW



NIGHT VIEW

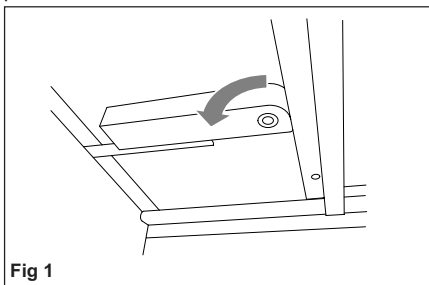


## FRONT WRAP ROUND SEATING

### (Option)

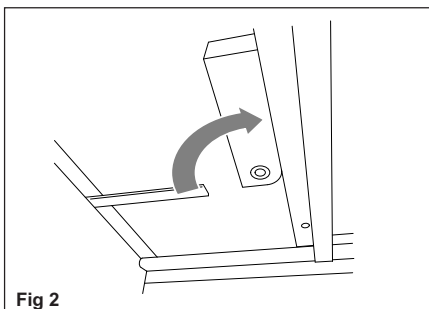
If you have purchased the wrap round seating option for your new caravan please note that the centre seat can be extended by the use of the locking mechanism which can be found under this seat.

Pull the slats forward then turn the locking plate to be in the direction down the caravan (see fig 1) in order to secure the front seat in place.



This will prevent the slats from going back into the front seat and increase the seated area.

Please ensure you return the locking plate to its normal position (see fig 2) if you wish to remove the wrap round seating.



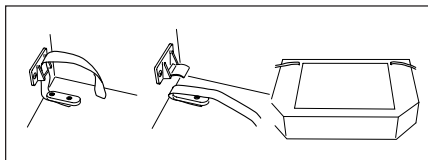
## LIFT UP BED EXTENSIONS (where fitted)

The centre dinette bed has lift up extensions and these are operated by depressing the lever behind the flap of the hinge. While pressing the lever the extension flap can then be lifted into place.

This lever must also be depressed in order to lower the flap.

## REMOVABLE DRAWER LOCKER

To remove from the caravan, first locate the two retaining straps at the bottom rear of the unit, the straps are released by pulling away and down this releases the thumb catches. The locker can now be removed for storage.



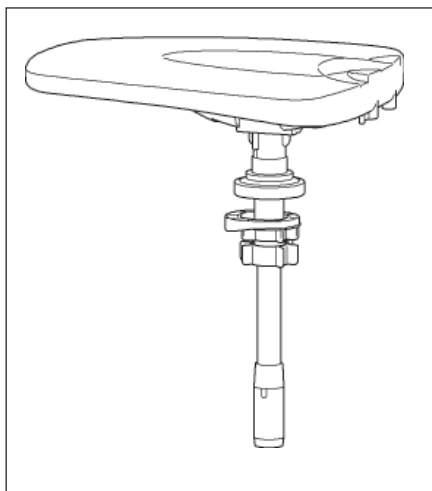
To secure the unit into the caravan, first place the locker into position, then feed the straps through the thumb locks, holding the strap taut push the thumb lock so that it closes on the strap.

## Radio/CD with MP3 Connectivity

Details on how to set up and use the Radio/CD will be contained in your document wallet.



## TELECO TV AERIAL



### Connection to the Amplifier

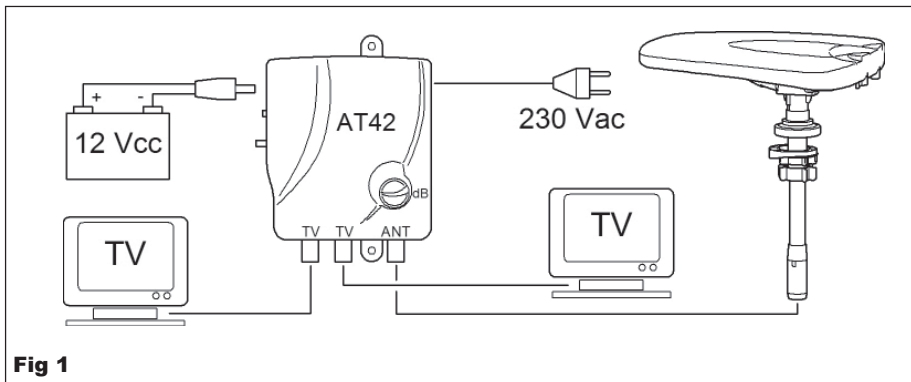
Connect the lead exiting from the pole to the ANT input of the amplifier. Connect with the relevant lead, the TV connector of the amplifier with the television. Connect the amplifier to a 220V power socket or a battery, making sure you do not invert the + and - terminals (Fig 1).

### Operating Instructions

- 1) Rotate the dB dial of the amplifier clockwise.
- 2) Tune the television to a channel available in the area where you are located.
- 3) Rotate and lift the antenna via the suitable pole until you get the best image on the TV.

### Useful Tips

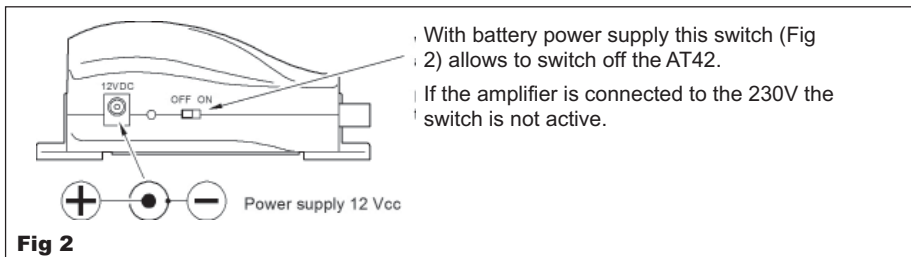
Not all the television signals you can receive in the zone where you are located will necessarily originate from the same direction. So if the quality of a programme image is poor, try rotating the antenna as the signal may be coming from a direction different from the others.



**Fig 1**

## Gain Adjustment

With the dB dial turned all the way clockwise, amplifier sensitivity will be at maximum and it is therefore able to receive the weakest signals. If, instead, the signals are very strong, there may be image overlap on the TV screen. In this case rotate the dB dial anticlockwise slowly until the image is perfect.

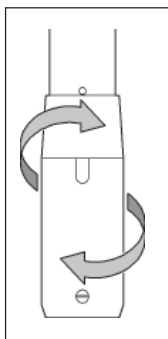


**Fig 2**

## Instructions for the Reception of Horizontal or Vertical Polarity Signals

This antenna can be positioned both horizontally and vertically by simply turning the knob at the bottom of the mast.

By turning the knob fully left-hand, the antenna shifts to the horizontal position, by turning it right-hand the antenna shifts to the vertical position.





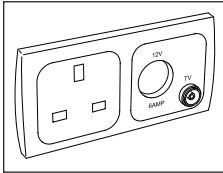


## HOW TO USE YOUR TV AERIAL

### Digital TV set-up guide

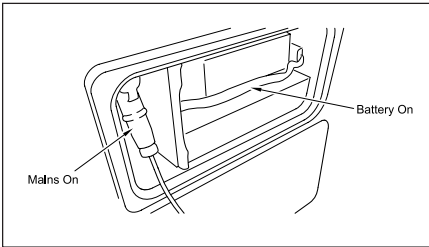
#### Connect aerial and power

Fix the TV to a bracket or place on a stable, flat surface, then connect the aerial cable and power lead to the TV and sockets.



#### Check the power is on

The aerial needs power to work correctly; check that the power is switched on (Switch on either the mains and/or battery power to the vehicle) both power sources switch on the aerial (12 Volts).



#### Tune in TV and choose transmitter

Switch on the TV and tune in the channels. If the vehicle is moved or a different socket is used you might need to re-tune TV. If the first transmitter picked up has poor quality pictures, then re-tune and pick another transmitter.

With Digital TV's there will be a re-tune button on the remote control use this feature and then choose manual re-tune.

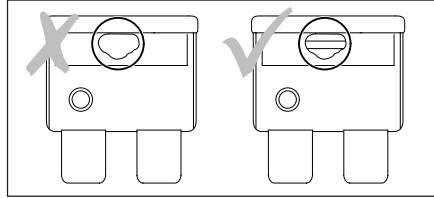
Most digital TV's will also allow you to choose the transmitter which is normally available via the Menu function.

This will vary by TV manufacturer so if you have any problems undertaking this task please refer to your TV manual.

## TROUBLESHOOTING GUIDE

### Check aerial/radio fuse

If there is no power, check the 5 amp fuse located within the PDU marked radio is in working order.



### Check TV monitor

Check the TV is working correctly by ensuring that the channels tune in correctly in your home. If the TV does not pick up the expected number of channels we would recommend you get the TV checked out.

See step 6 shows how to tune your TV

### Number of channels picked up from your house connections

DTV : 0 Programme(s)

Radio: 0 Programme(s)

Data : 0 Programme(s)



DTV : 72 Programme(s)

Radio: 24 Programme(s)

Data : 21 Programme(s)



### Check the coax lead is of good quality

Check that the TV aerial lead is of good quality (Normally cheap leads from the supermarket give reception problems, they are normally mass produced and made to a wider tolerance).

Ensure the coax lead from the aerial socket to the TV is suitable for digital reception (if in doubt, ask for advice).

### Check location for signal strength

Check that the digital tv signal strength where the vehicle is situated is Very Good to Good.

Go to: [www.digitaluk.co.uk](http://www.digitaluk.co.uk)

Enter the postcode and check signal strength.

**Note:** Sometimes transmitters are being repaired or upgraded

Go to: [http://www.digitaluk.co.uk/help\\_and\\_advice/engineering\\_works](http://www.digitaluk.co.uk/help_and_advice/engineering_works)

Check if signal is OK that day / week.

## Check there are no obstructions

Is the vehicle outside in an open space?

Check that the vehicle has no obstructions:

House lean to/canopy

Trees (also blowing in the wind)

House or other buildings

Hills

Large vehicles

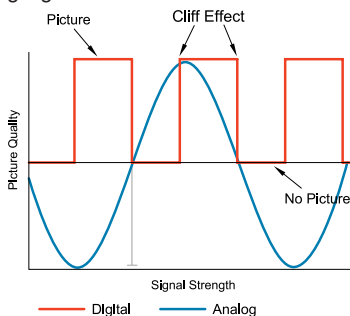
In a valley etc.



## Understand digital signals

Digital signals have what the industry calls the Cliff effect.

The Cliff effect is either you have a picture or not within a very small difference of signal strength. This happens with both weak and strong signals.



## Troubleshooting guide - Checklist

Action	✓ or X
Check aerial fuse	
Connect aerial and power	
Check the power is on	
Tune in TV and choose transmitter	
Check TV monitor	
Check the coax lead is of good quality	
Check location for signal strength	
Check for obstructions	
Understand digital signals	

**If after following this guide you still have problems, contact your local Retailer or Approved Workshop.**



## **PROTECT - AUTOWATCH ALARM SYSTEM (OPTIONAL)**

Manufactured by Autowatch, The system is designed to give years of trouble free operation. Made with only the highest quality components and using state of the art technology you can be assured that your caravan has the best electronic protection available.

Each caravan alarm is installed with a Passive Infrared Detector (PIR), a sensor that detects movement in the caravan and transmits a radio signal to the alarm module. If the alarm is on the siren will sound. A leg sensor, fully sealed against dust and water, will detect if the corner stabilising leg is being raised or lowered and transmits a coded radio signal to the alarm.

Additional sensors can be purchased from your retailer to enhance security.

See section below for operation or consult the manufacturers instructions provided in the Owners Information Pack.

### **Basic Operation Arming the System**

- (i) Briefly press (large) arm/disarm button.
- (ii) Single chirp.
- (iii) Awning light illuminates for 30 seconds.
- (iv) Settling time of 15 seconds before responding to triggers.
- (v) Single intermittent flash of status LED (every 2 seconds).
- (vi) All sensors triggered will result in siren sounding for 30 seconds, or until reset by pressing the arm/disarm button.

### **Disarming the System**

- (i) Briefly press the (large) arm/disarm button.
- (ii) Double chirp.
- (iii) Awning light illuminates briefly on and off and then on again for 30 seconds.
- (iv) LED off.

### **Panic Alarm**

- (i) Press and hold the small panic button on the transmitter for two seconds.
- (ii) The siren will sound for thirty seconds, unless reset by pressing any of the transmitter buttons.

### **Emergency Disarm**

Insert the touch-key briefly into the socket. The alarm will turn off.

### **Silent Arm and Disarm**

- (i) Press the small button briefly followed by a press on the arm/disarm button.
- (ii) The alarm will arm/disarm without chirps.

### **Sensors**

Each caravan alarm is installed with a Passive Infrared Detector (PIR) and a leg sensor. Additional sensors can be purchased from your dealer to enhance security.

### **Passive Infra Red Sensor**

The wireless PIR sensor will detect movement in the caravan and transmit a radio signal to the alarm module, if the alarm is on the siren will sound.

### **Leg Sensor**

The leg sensor will detect the corner stabilising leg being raised or lowered and transmit a radio signal to the alarm. The leg sensor is fully sealed against dust and water and has a battery life expectancy of three years. When the battery becomes exhausted, the sensor will need to be replaced.

### **Enhanced Features Arming The System In "At Home" Mode**

In the 'at home' mode, any sensor that is programmed to be isolated, such as the PIR sensor will not trigger the alarm. Other sensors, such as the leg sensor, will trigger the siren. Arm as normal followed by a second press on the arm/disarm button within 2 seconds. Normal "on" tone followed by "at home" tone indicating isolation is active. Settling time of 15 seconds before responding to triggers. Armed in the isolation mode will be indicated by a double flash intermittently of the LED. The "at home" sensors will be isolated; other sensors will trigger the siren for 30 seconds.

### **Arming the System in Test Or Buzz Mode**

In the buzz mode the siren will sound a short tone when a sensor is triggered instead of sounding for 30 seconds. It is advisable to test all the sensors.



## AL-KO Trailer - Control

AL-KO Automatic Trailer Control is an electronic control system that reacts quickly to maintain the stability of the car and caravan. The system continually monitors the stability of the caravan during a journey and operates when an unstable condition is encountered. When AL-KO ATC activates, the driver will feel the vehicle being slowed down by the soft braking of the caravan.

## AL-KO ATC LED OPERATION

Display Colour	ATC Condition	Diagnosis	What to do	Outcome	Status
Green	ATC Active	Everything OK			
Green Flashing	ATC Active	Self test incomplete	Drive forward to detect movement to complete self test and recheck LED	Green (Constant)	Ready for journey
Red	ATC Inactive	Possible to continue journey	Remove 12S or 13 pin plug and wait five seconds. Reconnect plug	Green	Ready for journey
				Red	ATC fault detected but can be driven
Red flashing	ATC has detected a fault	Do not continue with ATC connected	Remove 12S or 13 pin plug and wait five seconds Reconnect the plug.	Green	Ready for journey
				Red (flashing)	ATC fault detected cannot be driven. Remove pushrod

**Flashing Green** - Simply the ATC is waiting to detect movement. Drive a few metres and the light will change to green.

**Flashing Red** - To provide further explanation if the constant RED light is showing: There are a number of errors that the ATC logs and some are self repairable by the customer but some will require the ATC to be monitored by the diagnostic equipment that is available and the AL-KO service engineers are trained to use.





## SECURITY

Theft deterrent, prevention and security of your touring caravan is taken very seriously at Elddis. That is why we have provided a combination of standard features and optional extras designed to deter and prevent thieves from stealing your property. And in the unlikely event that they should succeed, aid the identification, speedy recovery of your property and assist in the prosecution of the thief.

### Caravan Theft

The theft of a caravan can occur in the most unlikely circumstances; from a motorway service area, even from an owner's driveway. Secure all windows and doors when your caravan is unoccupied, even if only for a short length of time.

### Tracker Retrieve

Your caravan can have Tracker fitted as an option.

If you have had the Tracker fitted as an option, then a registration card with the Tracker details should be within your document wallet supplied with your caravan. We would recommend that this card is not kept in the caravan. To ensure the Tracker is registered, follow the instructions below.

Your dealer may have registered the caravan with TRACKER and confirmation sent to you via email.

If it has not been registered you can easily do it yourself.

Open the TRACKER registration portal at [www.tracker.co.uk/elddis](http://www.tracker.co.uk/elddis)

TRACKER VLU and Caravan VIN

Numbers are matched and confirmed with the vehicle model

Enter Dealership name from dropdown menu

Enter customer details including email address

A confirmation email will be sent to the customer and a one year subscription will begin

TRACKER will contact customer towards the end of the one year subscription period with the options available.

or call TRACKER directly on 0845 604 6029

## CRIS - THE CARAVAN REGISTRATION AND IDENTIFICATION SCHEME

CRiS is the Central Registration & Identification Scheme that issues touring caravan registration documents, equivalent to that of the V5 registration document issued by the DVLA for cars. CRiS was established in 1992 by The NCC and provides a method of registering the 'keeper' details of every tourer manufactured by NCC member companies to help prevent and detect caravan related crime.

### Why register with CRiS?

- Safety
- Security
- Warranty

### Did you know?

- You should not take a tourer abroad without a registration document. If you go abroad your CRiS registration certificate provides the necessary proof, required by the police and other authorities, that you are its registered keeper.
- If you need to make a claim on your insurance, CRiS can help speed up claims by providing details of your tourer and its purchase date to relevant parties.
- CRiS can help your tourer's manufacturer contact you in the event that there is any kind of product recall or fault that could affect the safety of your caravan.

For help, support and advice contact CRiS:

NCC CRiS Ltd

PO Box 445

Aldershot

GU11 9FS

Tel: 0203 282 1000

[www.cris.co.uk](http://www.cris.co.uk)

Opening Hours: Monday - Friday 8am to 8pm

Saturday 9am to 5pm

Sunday 10am to 5pm



## **AL-KO SECURE WHEEL LOCK (Option)**

You must register your key, should you fail to do this you will not be able to order a spare key or obtain lost or stolen keys.

*This is how it works:*

- On the Al-Ko Secure registration card you will find an exclusive security number.
- Please register your key by telephoning 0870 7576788 or 0044 1926 818500.
- You will be required to provide the chassis number of the caravan.
- You will need to provide us with a password and supply answers to three security questions.
- Make a note of your password and keep it in a safe place.
- Also keep your registration card safe.
- Take your registration card with you when you are travelling with the caravan.
- Always keep your registration card separate from the lock.

## **Safety Information**

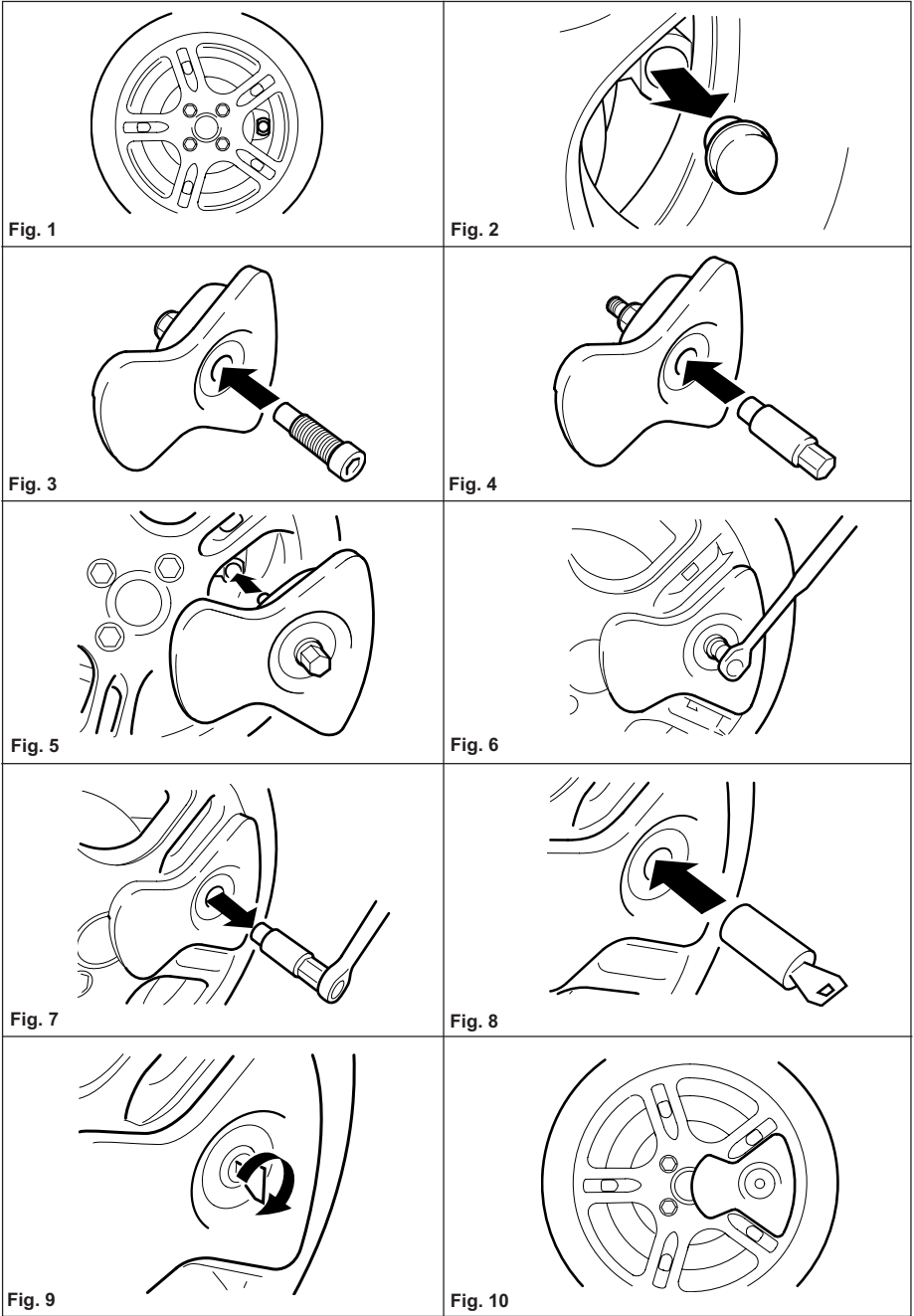
- Always secure the caravan against movement (chock the wheels, couple to towing vehicle).
- Never leave Secure parts (key, locking bolt, registration card) in the caravan.
- Always remove Al-Ko Secure before moving the caravan.
- After any attempt at theft has been made on a locked Al-Ko Secure, the caravan must be inspected in an Al-Ko Approved Service Workshop.
- Always keep the key in a safe place.
- Keep the lock set and registration card separate from the keys.
- The lock parts and key do not have a registration number, therefore keep the registration card in a safe place.
- Caravans with twin axles have two locks, keep each lock set in a separate place. The sets are not interchangeable!

**Note:** Read the operating instructions and act in accordance with them. Keep the operating instructions for general use. Follow the safety instructions as well as the warning information.

## **ASSEMBLY**

We recommend the use of a side-lift jack for easier fitting of Al-Ko Secure when used on a tandem axle caravan. (Order No. Al-Ko Jack Set 1389235).

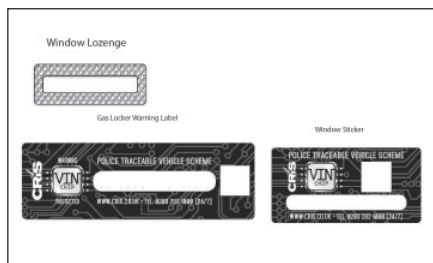
- Align the wheel so that the receiver can be seen in the centre of the rim opening. DO NOT use the rim opening in which the tyre valve is fitted. (Fig. 1)
- Unscrew the plastic cap from the receiver and store in the tool kit box. (When Al-Ko Secure is not in use, always screw the plastic cap in place). (Fig. 2)
- Insert the locking bolt into the rim specific insert. (Fig. 3)
- Insert the locking bolt socket key. (Fig. 4)
- Line up the locking bolts and assembly with the receiver. (Fig. 5)
- Tighten the locking bolt socket using the wheel spanner provided (or torque wrench as shown) to wheel torque. (Fig. 6)
- Remove the locking bolt socket key. (Fig 7)
- Insert barrel lock. (Fig. 8)
- Hold the lock fast and lock. (Fig. 9)
- The Al-Ko Secure is now fitted. (Fig. 10)







## WINDOW & CHASSIS MARKING



Your Touring Caravan Registration Document will include a 17 character VIN (Vehicle Identification Number), shown in the top right hand corner. This 17 character VIN will be die-stamped into the caravan chassis with a tamper evident label in the gas locker and a maximum of 10 tamper evident labels placed on the inside of all windows (with the exception of opaque windows). To protect yourself and your touring caravan, never leave the Registration Document in the caravan. For security reasons keep it in a safe place.

If you sell the caravan please follow the instructions on the Touring Caravan Registration Document.

**Please note:** If you do not receive a Touring Caravan Registration Document, lose it, or any of the details recorded are incorrect, please contact: CRIS - PO Box 445, Aldershot GU11 9FS. Telephone: 0203 2821000.

Spare windows labels can be found in your owners information pack for use if you ever need to order a replacement window.

## ELECTRONIC TAGGING

In conjunction with the CriS registration scheme, all touring caravans are electronically tagged during manufacture for added security and to ease vehicle identification. The security tag containing the individual identity of your caravan is concealed within the caravan body and can only be read by using a special decoder.

**Please Note:** Your Local Police Can Obtain The Use Of A Decoder By Contacting C.R.I.S. on Telephone No. 0203 2821000.

## ADDITIONAL SECURITY

Consider fitting any device which might deter or prevent intrusion by thieves. For example: A wheel lock will prevent towing of the caravan and removal of the wheel.

FREE CRIME PREVENTION advice about securing your caravan, protecting your valuables, property marking, either at home or whilst on site, can be obtained from the Crime Prevention Officer through your local Police Station.



## CARE OF YOUR CARAVAN

This section of the guide is devoted to the care, cleaning and general preservation of your caravan in order to retain its showroom condition.

### EXTERIOR CLEANING

Under no circumstances should an abrasive or harsh cleaner be used. It is strongly recommended that you do not use a pressure wash. Exterior body parts of the caravan are extremely durable and easy to clean. It is recommended you first wash off any heavy dirt and mud with cold water then use Autoglym products.

**CAUTION:** The use of a pressure wash on your caravan is not recommended as it can lead to water entering the caravan via any of the external vents and could damage graphics.

### WHEELS

Do not use acidic cleaning products on the wheel bolts.

### GLASS FIBRE REINFORCED PLASTIC (GRP)

GRP components need to be washed, waxed and taken care of like a car. Chemicals and dirt can collect during storage, and the gel coat can be stained or marked when chemicals combine with rain or dew. Most stains or marks can be removed with Blue Diamond Black Streak remover, but more stubborn marks may require a (fine grit) rubbing compound such as Farcela G3.

To help keep your GRP components looking almost like new, it is wise to wash the parts monthly (or more frequently) using Autoglym products, but avoid using strong alkaline (e.g. trisodium phosphate) or acidic cleaners or abrasives. Waxing the components once or twice a year with a good grade paste wax will help to maintain the colour and finish.

### ACRYLIC WINDOWS

Your caravan is fitted with shatter resistant acrylic windows. To preserve their clarity and unblemished transparency it is essential that the following cleaning instructions are strictly adhered to: Road grit, dust, sand, flies, bird droppings etc., should be washed off using plenty of cold water do not use a sponge to clean off heavy dirt deposits. Any remaining dirt should be washed off using a soft cloth and warm water.

**Please note:** Under NO circumstances should any abrasive cleaning agents, household detergents or proprietary cleaning fluids be used. Wash the window again using only cold water and dry off with chamois leather.

**Please note:** Should scratches appear on the acrylic windows these can often be removed with an acrylic polish, i.e. ICI Perspex polish. Gentle polishing with a liquid metal polish, i.e. Brasso may also have the desired effect - consult your retailer BEFORE attempting to remove any but the slightest scratch.

### WINDOW BLINDS & FLYSCREENS

To clean the blinds and flyscreens, moisten a soft cloth or sponge with a small amount of water and mild soap suds and gently wipe dirt off. Allow to dry before retracting, failure to do this could result in mildew forming.

Pleated blinds where fitted should be cleaned using a soft brush and if necessary hoovered using a soft brush attachment on the device.

### Winterisation/Storage

**Please note:** The blind/flyscreen should not be left in the down position when the caravan is not in use or throughout the winter as the memory of the mechanism may be lost.

### ABS - A FRAME COVER, WHEEL SPATS & PANELS

To preserve the appearance of all ABS panels and fittings road grit, dust, sand, flies, bird droppings etc., should be washed off using plenty of cold water. Any remaining dirt should be washed off using a soft cloth and warm water. Under NO circumstances should any abrasive cleaning agents, household detergents or proprietary cleaning fluids be used. Wash the ABS material again using only cold water and dry off.

**WARNING:** Under no circumstances should alcohol, spirit or solvent-based liquids be used on GRP or ABS plastic panels as these substances may react with the material and cause visible damage.

### INTERIOR WALLS

Your caravan interior walls will only require a wipe over with a damp cloth, using a mild detergent, to keep them in a 'showroom' condition.



## FURNITURE

Treat your caravan furniture as you would the furniture in your home. Polish wood surfaces sparingly with a good quality wax or spray polish. Use a damp cloth to clean melanate laminated surfaces.

## COOKING EQUIPMENT

Caustic pastes, abrasive cleaning powders, coarse wire wool and hard implements will damage the surface.

## SOFT FURNISHINGS

### (Carpets)

#### What to do in the event of a spillage

A little common sense has to come into play here when a liquid spillage occurs it should first be blotted up immediately (never rub) using a clean absorbent cloth. White only kitchen towel, White tea towels or Terry towelling nappy type cloths are ideal for this purpose. (Something that colour is not going to come out of and add to the problems!)

1. Don't rub - blot with absorbent white cloth initially.
2. Rinse with cold water using a spray applicator bottle and the combination of a spray & blot technique will remove most spillages.
3. Use warm carpet shampoos if water does not rinse off the spillage allowing time for them to work before rinsing off.
4. Place a weighted absorbent cloth over the damp patch when you have cleaned the area to pull any materials out of the carpet that were not fully removed during cleaning to help prevent a stain occurring on the surface. Leave overnight or when dry remove.
5. If a stain containing colourant does occur that cannot be removed with shampoo try bleaching it off with 50% bleach 50% water solution.
6. If the stain is still present then call in the professional.
7. If the professional fails then contact us at [www.StainClearCarpets.co.uk](http://www.StainClearCarpets.co.uk) but ensure you have copies of your professional cleaning history invoices if over 2 years old and stain removal invoices for this claim ready.

### Upholstery

Remove dust on a regular basis with your

vacuum's upholstery or drape attachment. Try to avoid brushing fabric covers because that can damage the pile.

Only use an upholstery brush on the upholstery, never use any other type of brush to clean the upholstery as this may damage the pile. Avoid detergents which may damage the fabric's protection. Use a sponge or a clean white cloth but do not wash or rub the fabric. Leave to dry in normal conditions. These actions will not affect the Fire Retardent treatment of the fabric.

Heavy soiling will require professional cleaning. All fabrics will fade to some degree if exposed to direct sunlight.

Dyes from a number of sources, such as newspapers, jeans etc could stain your upholstery if placed on the upholstery when either the upholstery or other item is damp. It isn't always easy to avoid that from happening, however, proper ventilation can help. Try to keep pets off the upholstery and be careful of sharp objects such as belt buckles, toys and watch straps snagging the fabric. If snags do occur, carefully cut off the loose ends with scissors or tuck back in - do not pull them under any circumstances.

## WINTERISATION AND STORAGE

Mattresses are made from fire retardant fabric and foam. It is recommended that mattresses be stored on edge and covered during winter. Try to keep your cushions away from direct sunlight.

**Curtains:** It is recommended that the curtains in your caravan are washed on a delicate cycle at 30°C. This will not damage the clip glides. Shrinkage may be caused should you decide to dry clean your curtains.

Curtains should not be left closed during daytime otherwise some fading will be experienced.

## SHOWER TRAYS, SHOWER ROOM AND WASH BASIN FITTINGS

Only clean your shower tray using soap and water. **Do not use** chemical based cleaning agents as this will attack the material.

## CLEANING OF ALL TAPS

It is recommended that a non-abrasive damp cloth be used for cleaning the taps and showers.



## WATER CONTAINERS

- (i) All water remaining in any water container should be disposed of so that the container is empty.
- (ii) The outside of external water containers should be thoroughly cleansed and washed down to remove any dirt, dust or other contaminant. Water at a suitably hot temperature containing an appropriate detergent is recommended for this purpose. Water should then be put into the container, swirled round, then emptied out.
- (iii) All containers should then be totally filled with water containing an appropriate disinfectant / sterilising solution and allowed to stand for the recommended contact time (e.g. Milton for 15 minutes).
- (iv) The solution should be emptied from the container.
- (v) The opening of any container should be cleaned thoroughly with an appropriate pre-prepared wipe impregnated with a disinfectant / sterilising solution.
- (vi) External containers should be inverted whilst stored overnight (if possible).
- (vii) Containers must be filled with mains water only and mains water only should be used for the above cleaning procedure.
- (viii) On no account should garden hoses be used to fill water tanks.

## WATER SYSTEMS - STERILISATION

Clean the water system at the start and end of the season with sterilising fluid. When cleaning it is advisable to use a sterilising fluid e.g. Milton or similar.

**Please Note:** It is recommended that for this operation the filter is removed as the fluid reduces the effectiveness of a new filter.

- (i) Drain down the system. (Open all taps to allow air in, enabling the system to drain quickly). Including water heater drain tap.
- (ii) Remove any water filters fitted, and replace with a short length of hose or empty filter cartridge (this will ensure the filter is not affected by the disinfectant / sterilising solution).

- (iii) Fill the system by using the pump with a disinfectant / sterilising solution. (Check that the solution at full strength appears at all taps/showers). Allow to stand for the recommended period of time.
- (iv) Drain the system down completely.
- (v) Thoroughly clean the outside of all taps/ connectors with a cloth soaked in the disinfectant / sterilising solution.
- (vi) Flush the system through with clean drinking water until no traces of disinfectant / sterilising solution can be detected at any tap.
- (vii) After sterilising the system at the start of the season it is recommended that a new inline water filter cartridge be fitted. (Located on the cold feed to the kitchen tap).

**Please note:** Suitable sterilising chemicals are available from your Elddis Retailer, accessory shop, chemists, or home-brew shops. It is not, however, recommended to use bleach or sodium met bisulphide.

## THETFORD TOILET

### WARNINGS

- **Cold Weather Use - to prevent freezing during cold weather use, add antifreeze to the toilet system fresh water tank. Use a non-toxic (propylene glycol) type of antifreeze. Refer to chart on container to obtain level of protection.**
- **Warmer weather or longer intervals between emptying the waste tank may require additional toilet fluid. Use only Thetford toilet fluid to achieve the best results.**

### CAUTIONS

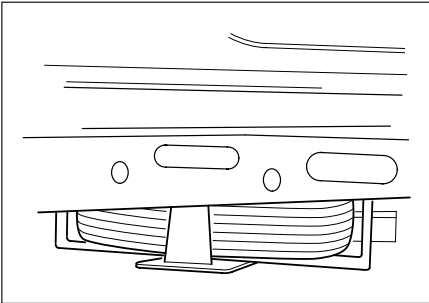
- Never add toilet fluid directly into toilet bowl.
- Do not use strong household detergents or cleaners that contain chlorine, solvents or acid contents.
- High Altitude and Hot Weather Use - with large temperature differences and changing heights during towing, over pressure can start to build up in the waste holding tank, causing contents to splash upward upon opening the valve blade if opened too fast.



## CHASSIS MOUNTED SPARE WHEEL CARRIER

To gain access to your spare wheel lift the spare wheel carrier up and lift up the locking mechanism. Then move the mechanism to the horizontal position and the spare wheel carrier will be free to move over the mechanism and allow the spare wheel to drop to the floor to be removed.

To replace the spare wheel simply reverse the operation making sure that the quick release mechanism has been fully pushed down to create a positive lock. The carrier is of extra strong, lightweight construction and zinc plated for all weather protection. It is easy to fit and accepts all conventional wheel sizes.



## TYRES

Please refer to your Technical Data sheet provided with your customer information pack for information regarding tyre pressures and axle loads.

### Pressures

It is customary for manufacturers to mark tyres with load and inflation data. This information relates to the use of the tyre on cars. It is dangerous to drive with under inflated tyres. The pressures (cold) recommended by the manufacturers should be regarded as a minimum. Pressure checks, including those on the spare tyre, should be made with the tyres cold and using an accurate pressure gauge. The checks should be carried out before each journey and at regular intervals during storage.

## Tyre Wear and Damage

The legal requirements for tread depth on motor vehicle tyres apply also to caravans. A redundant tyre must be replaced by one of the same size and load index. Wheels should be changed round occasionally to equal wear and prolong the life of the tyres. A tyre should be renewed if a blister, rupture or cut exposing the casing is detected. If the tyre has suffered a violent impact e.g. against a kerb, it should be examined by a specialist as soon as possible.

## CHANGING A WHEEL

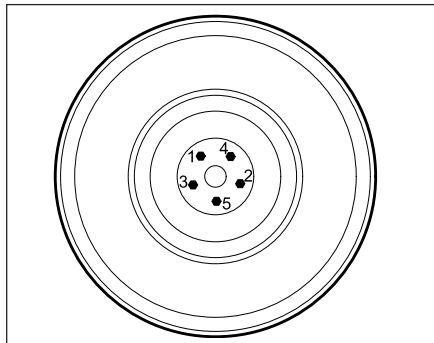
Whenever road wheels are removed and re-fitted, they must be tightened using a calibrated Torque Wrench set to 102Nm for steel wheels and 130Nm for alloy wheels.

Only use the wheel bolts supplied with your caravan. If you need to replace these bolts you should obtain bolts from an approved Elddis Retailer.

The bolt fixings should be tightened in the sequence shown in the diagram below. Do NOT simply tighten clockwise or anti clockwise. Remember to over tighten is just as dangerous as to under-tighten, as this can distort the wheel rims. Avoid the use of power wrenches. Wheel bolts should NEVER be lubricated.

Alloy wheel bolts can be used to fit the steel wheel until the alloy wheel is ready for refitting.

Never use steel wheel bolts to fit an Alloy wheel.



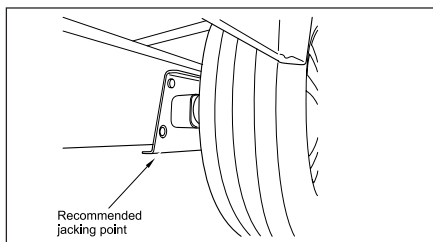


The corner steadies must not be used to jack up the caravan. They can be lowered to touch the ground only as a safety measure to stabilise the caravan.

- (i) Apply the handbrake fully as for parking. Do not forget to give the caravan a slight rearwards push to stop the reversing lever collapsing.
- (ii) Slacken off the wheel bolts on the wheel to be changed.
- (iii) Ensure all corner steadies are in the up position before commencing jacking of the caravan.
- (iv) With a suitable jack, jack up the caravan under either the axle tube, the axle mounting plate or designated jacking point.

**Please note:** Do Not Use The Chassis As A Jacking Point. If there is lack of ground clearance because of a flat tyre, gently move the caravan onto some ramping boards.

- (v) Support the weight of the caravan with the jack and for added safety lower the front and rear corner steadies on the side of the flat tyre. Then remove the ramping boards.
- (vi) Remove the wheel bolts and remove the wheel.
- (vii) Before fitting the wheel, examine it for distortion or other damage. Ensure that all mating surfaces are clean and dry, including bolt/nut seats.



**Please note:** Always Use the Correct Bolts to Secure the Wheel - Check with the dealer if unsure.

**Please note:** A corner steady brace is not to be used for the next step.

- (viii) Insert the wheels bolts.
- (ix) After the bolts have been screwed in as far as possible by hand, each bolt

should be tightened gradually in sequence. Do not over tighten at this point as the final tightening should be done with a calibrated torque wrench.

The wheels of the caravan will not rotate during tightening as they are held rigid by the wheel hub brake unit.

- (x) Raise the corner steadies.
- (xi) Lower the caravan to the ground.
- (xii) The wheel bolts should be tightened ensuring that the torque is applied evenly around the wheel. Using a suitable torque wrench, sequentially tighten the steel bolts to a torque of 102Nm for steel wheels and 130Nm for alloy wheels following the sequence stated above.

### IMPORTANT

- **The torque settings should be re-checked after 50 km (30 miles).**
- **Do not use acidic cleaning products on the wheel bolts.**
- **Do not loosen the wheel bolts to carry out this operation whilst the road wheel is supporting the weight of the caravan.**
- **Wheel bolts should NEVER be lubricated.**
- **NB: If you upgrade from steel to alloy wheels you must ensure you use the correct bolts for the new wheel.**

### JACKING

Under no circumstances should the corner steadies be used to jack up the caravan. When it is necessary to jack up, use a bottle, screw, trolley or scissor type jack, one with an axle shaped head is recommended.

Place the jack plate under the axle tube as near as possible to the main longitudinal member. The maximum mass which the jockey wheel and its clamping mechanism are capable of withstanding is 150kgs.

### LUBRICATION

- Lubricate the Jockey Wheel spline
- Lightly oil the wheel axle and screw thread.
- Lubricate the Brake Linkage
- Lightly oil all moving parts.
- Lubricate the Corner Steadies
- Lightly oil the screw and pivot pins.



## THE ALKO CARAVAN CHASSIS

### Chassis members

The recommended tow vehicle coupling height is 415 +/- 35mm from the ground to the centre of the ball.

Manufactured from high quality steel, the chassis has extra deep sections to provide strength at points of maximum stress. Large elongated holes are punched in the longitudinal and towbar, ('A' frame) members, to reduce weight to a minimum. Each hole incorporates a return flange to maintain the required strength and provide rigidity in the extra deep sections.

The chassis frame is of a bolted construction which, should the need arise, allows replacement of individual parts.

The chassis is Hot Dipped Galvanised. This is regarded as one of the best forms of corrosion protection. It does however require minimal maintenance in certain circumstances.

When new the chassis is of a bright and shining appearance. As the galvanising cures during the initial 2 to 3 month period, this will gradually change to a medium to dark grey colour. This grey finish is the ideal, giving the correct protective coating. During this curing period the surface should be protected to avoid possible wet storage stain, in the form of a soft, light coloured, porous, oxidation layer. If the chassis members are in contact with any salt deposits from roads this should immediately be washed off with a high pressure washer. Salt attracts moisture allowing the surfaces to remain wet, this prevents curing and also allows formation of wet storage stain.

It is recommended that the chassis be washed off, using a pressure washer on an annual basis (particularly after winter usage) to avoid undesirable build up of salt and dirt deposits.

The galvanised chassis should not be painted or subjected to any other protective treatment.

Should the galvanising become superficially damaged exposing the steel core, this should be cleaned and treated with a cold

galvanising spray obtainable from vehicle accessory outlets.

Damage to chassis members through impact etc. must not be straightened or welded.

Damaged chassis members must be replaced.

### Drilling or welding of parts or accessories

This chassis is designed and built to precise tolerances and must not be drilled or welded.

### Independent suspension

The ALKO rubber suspension is designed and developed to suit all types of road conditions and is maintenance free. Three rubber elements are contained within a hexagonal axle tube. These provide suspension and have inherent damping characteristics. (Only the hubs and wheel brakes require attention - see axle booklet Part No. 580458).

### Coupling head

The ball couplings are entirely automatic in operation and designed for one hand operation to suit the 50mm international ball recommended by the British Standards Institution, National Caravan Council and the Society of Motor Manufacturers and Traders.

### Secondary braking (Breakaway cable)

#### Uncoupling

Having lowered the jockey wheel to the ground, operate the handle as previously described. Lift the coupling clear of the towing ball either manually or by operating the telescopic jockey wheel.

### Brake drum/hub assembly

The Euro Axle fitted to your caravan comes complete with maintenance-free wheel bearings greased and serviced for life. Adjustment is not required during the design life of the sealed bearing (100,000 km).

**CAUTION:** If replacement of the brake drum or shoes is required, this must be carried out by authorised AL-KO Service Centres. Specialist tools and equipment are required. The rear hexagonal bolt covered by a black plastic cover must NEVER be touched.

## Operating instructions

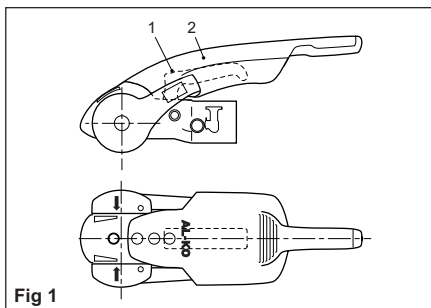
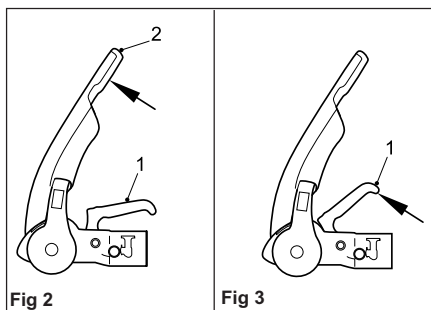


Fig 1  
Coupling handle (Fig. 1/Item 1), Stabiliser Lever (Fig. 1/Item 2)

The Stabiliser lever (Fig. 2/Item 2) must be in the uppermost position (open).



## Coupling

- Pull the coupling handle (Fig. 3/Item 1) up in the direction of arrow. The coupling mechanism has an open position i.e. as long as the AKS 3004 is not placed on the ball, the handle will remain open. Put the opened coupling onto the clean towball. The handle must now make an audible click and return to the flat position.

**WARNING:** The coupling is correctly engaged when the green edge of the safety indicator button is visible (Fig. 4/Item 3).

**WARNING:** Always ensure that the jockey wheel is fully raised and secure before commencing any journey.

## Stabiliser Unit:

- To operate the Stabiliser (once coupled to the towball), simply press the stabiliser lever down as far as it will go (Fig. 4/Item 2).

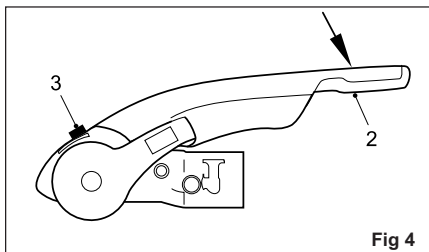


Fig 4

## Uncoupling

- Pull the stabiliser lever handle up as far as it will go, open the coupling handle and lift the AKS 3004 from the towball. With larger nose loads, coupling and uncoupling can be made easier by using the jockey wheel to assist lifting.

The friction pads are pressed against the towball and hence generate a stabilising/damping force. These pads are therefore subject to wear over time, however they will have a long service life (circa. 30,000 Miles), provided they are well maintained and kept free of grease/dirt.

## Checking the efficiency of the left/right friction pads:

- 1) Couple up AKS 3004
- 2) Open Stabiliser lever (Fig. 5/Item 1).

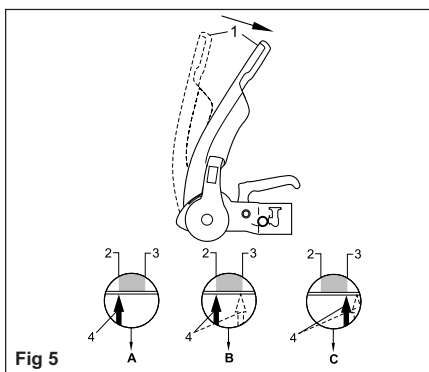


Fig 5





- 3) Close Stabiliser lever until resistance is felt (ie friction pads are in contact with the ball but not yet under pressure).
- 4) If the arrow on the arm (Fig. 5/Item 4) is before or on the marked area (Fig. 5/Item 2) the friction pads are still as new (See A)
- 5) The arrow on the arm should lie between the marked area on the soft dock (See B)
- 6) If the arrow on the plate reaches or passes the marked area on the soft dock then the friction pads need replacing (See C).

It is not necessary to adjust the friction pads

### Manoeuvring operation

For easier manoeuvring (on campsites etc), pull the stabiliser lever to the 'up' position.

Please do not use the stabiliser lever as an manoeuvring handle. Please use the handles on the Caravan or fit the AL-KO manoeuvring handle to your jockey wheel (available separately).

- 1) During opening or closing, the AKS must only be operated by one person.
- 2) Press stabiliser lever down by hand force only DO NOT use your foot or an extension bar, this will damage the components (Fig. 6).
- 3) When opening or closing the stabiliser lever, please ensure your hand does not touch the coupling handle - you may accidentally trap your fingers! (Fig. 6).

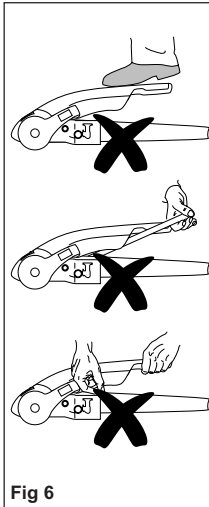


Fig 6

### Noises whilst driving

As a rule, the friction pads of the AKS 3004 do not make a noise during driving. Any clicking, creaking or squeaking noises that do arise may be due to the following:

- a) Foreign bodies or dirt between the friction pad and tow ball.
- b) Dry operation of the drawshaft inside the overrun device.
- c) A detachable towball which has too much play in the locking mechanism.

### Remedial Action

- a) Clean the tow ball and friction pads by lightly rubbing the surface (100-120 grit emery paper)
- b) Lubricate the drawshaft sleeve via the grease nipples. In addition, push the gaiter forward and grease (DIN 51 825 KTA 3K) the exposed part of the shaft (Fig, 7).
- c) Visit a specialist workshop to have the ball holding area checked for damage and the locking mechanism for function. If necessary, change the towball.

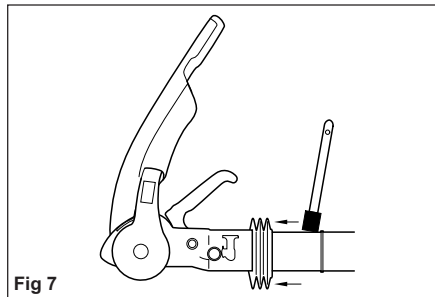


Fig 7

### Storing

To reduce the possibility of contamination of component parts of the AKS 3004 the stabilising handle should be closed.

### Towing ball

The automobile towing ball should measure 50mm maximum and 49mm minimum diameter (DIN 74058). If the ball is below 49mm diameter it should be replaced immediately.

## Overrunning device

The device housing is packed with grease on assembly, but will require periodic maintenance to ensure smooth operation of the braking system.

- 1) Regrease the shaft bearings via the grease nipples provided at 3000 mile intervals, and before storage.
- 2) Ensure correct functioning of all pivot pins and levers and oil regularly.
- 3) Ensure correct functioning of handbrake ratchet and oil regularly.

## Braking system adjustment

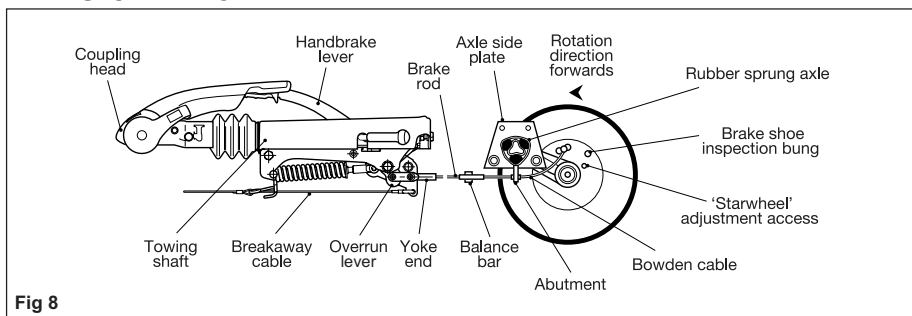


Fig 8

(At 500 miles, then every 3,000 miles or 1 year)

- Ensure the towing shaft with coupling heads is pulled fully forward (Fig. 8).
- Release the handbrake to the fully off position. If the handbrake will not go down the whole way because of the fairing or any other obstruction; then the fairing must be cut away and/or the obstruction removed to achieve this desired position. It will not be possible to set up the braking system properly when the handbrake is not in the fully off position (Fig. 8).
- Jack up one side of the caravan (see Jack Operation Instructions).
- Remove the inner plastic bung from the backplate to expose the 'starwheel' adjuster access (Figs. 8 & 9).
- Always rotating the road wheel in the forward direction - never backwards; adjust the starwheel with a suitable screwdriver, in the direction of the arrow

## Jockey wheel

Lubricate wheel and screw thread periodically with grease.

## Brake linkage

All moving parts should be lubricated periodically to ensure their satisfactory operation.

## Corner steadies

The screw and pivot pins should be lubricated periodically to ensure their satisfactory operation.

embossed on the backplate until there is resistance in the wheel rotation (Fig. 9).

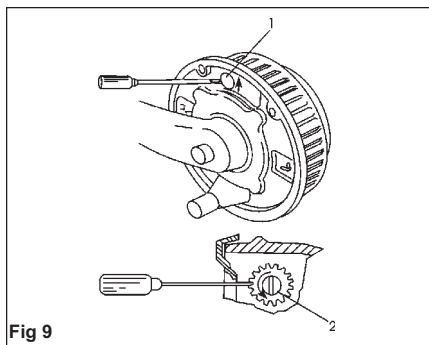


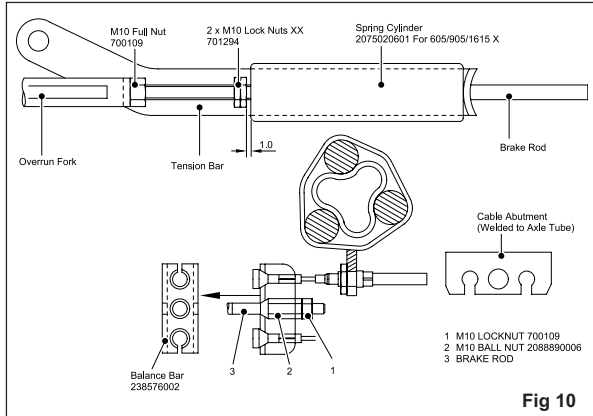
Fig 9

- Slacken off the starwheel adjuster until the road wheel turns freely in the forward direction (Fig. 9).
- Check the adjustment at the end of the brake cable where it is secured to the abutment (bracket) welded to the centre of the axle. When the inner cable is



pulled out it should extend between 5 and 8 mm (Fig. 8). (On tandem axles a double abutment is fitted to the front axle only).

- Repeat for other wheel or wheels.
- On tandem axles the brake cables from the rear axle should pass over this axle and cross over each other before being connected to the abutment on the front axle.
- Ensure the balance bar (compensation) is being pulled evenly. This bar (double on tandem axles) should always be paralleled with the axle tube when pulled (Figs. 8 & 10). Adjust M8 lock and ball nuts, if necessary, to achieve correct parallel position (Fig. 10).
- Check the brake rod support bracket, (fixed to the floor) is supporting the brake rod evenly. The brake rod must always run straight, never bent or curved under any fittings. On tandem axles, using the double balance bar, a brake rod support tube (Part No. 228827) must always be fitted on the end of the brake rod, passing through the centre aperture on the abutment.
- Remove the slack in the brake rod by adjusting the long ball nut, rear of the balance bar, ensuring the overrun lever makes contact with the end of the towing shaft.
- Over adjustment to the long ball nut (Fig 10), could induce movement of the inner brake cable, reducing the effective clearance of the brake shoes. If the overrun lever will not make contact, it is possible the two lock nuts, forward of the spring cylinder, are incorrectly adjusted. Loosen the nuts and adjust the brake rod as above (Figs 8 & 10).
- Adjust the two locking nuts, forward of the spring cylinder (Fig. 10), (on some chassis a single Nyloc nut is used) to



**Fig 10**

give 1mm of clearance on the spring cylinder. This cylinder (the energy store for the handbrake operation) must be able to rotate only, not slide on the brake rod.

(See Fig. 10). If the overrun assembly is fitted with a gas strut handbrake then no spring cylinder is fitted - therefore ignore this paragraph).

- Correct adjustment of the linkage is checked by operating the handbrake lever so that when the second or third tooth is engaged, a slight braking force is felt on the road wheels.
- Over adjustment of either the wheel brakes or linkage, will result in difficult reversing causing the wheels to 'lock-up'.
- When parking, the handbrake lever must always be engaged into the fully upright position (90°). This is to compress the spring within the spring cylinder and thereby create an energy store, which will automatically engage the brakes further should the caravan move.

If difficulty is experienced in this operation, try easing the caravan backwards with one hand while engaging the handbrake fully with the other. This manoeuvre should not be attempted on a rearwards facing slope. In this case wheel chocks should be used combined with the handbrake.

- Finally, if the alloy road wheels have been removed, re-tighten using a calibrated Torque Wrench to 130 Nm (Newton Metres) (96 lb-ft) - on all M12 wheel bolts - in sequence, i.e. North, South, East, West not clock or anticlockwise.

**WARNING: The torque settings should be rechecked after 50km / 30 miles. Wheel bolts should never be lubricated.**

In order to operate the ALKO braking system correctly adequate traction of caravan wheels is required when reversing. Therefore surface conditions that would result in a lack of traction should be avoided. Example: Peas, shingle/loose gravel.

Care should be taken when traversing ramps or other obstacles in order to prevent damage to the caravan under gear. When approaching such obstacles reduce towing speed appropriately.

### Chassis Lubrication Points

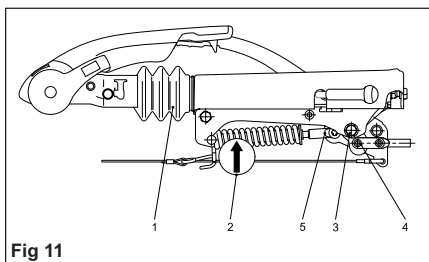


Fig 11

1. Grease the drawbar in the area of the bellows.
2. Grease the bearing bush through the grease nipples on the housing and the cartridge.
3. Grease the pivot bolt of the overrun lever and handbrake levers through the grease nipple.
4. Grease the joint of the brake rod and fitting.
5. Oil the joints of the spring cylinder in the handbrake lever.

Lubricant type: Multi-purpose grease to DIN 51825 KTA 3K4.





## STORAGE

### LONG TERM & WINTER STORAGE

If the caravan is to be stored for any length of time, especially over the winter period, the following operations are recommended:

- (i) Ensure all windows, roof lights, habitation and exterior locker doors are closed firmly and locked.
- (ii) Remove all soft furnishings which could be affected by damp conditions.
- (iii) Clean the caravan inside and out as detailed in the previous section.
- (iv) Drain the water system.
- (v) For winter storage and to prevent frost damage all taps must be left in open position. For those caravans with lift up taps please ensure the taps are left in the central position.
- (vi) All blinds and flyscreens should be left in the retracted position. Check all fixed ventilation apertures are not obstructed.
- (vii) Ensure that the refrigerator/freezer compartment doors are left open during storage.
- (viii) Check that the site you have chosen to store the caravan is open, fairly high and dry and if possible not exposed to gales etc. If this proves impossible it is recommended that the caravan chassis is anchored to the ground.
- (ix) Jack up the caravan (use bottle or screw jack, do NOT use the corner steadies) so that the wheels are clear of the ground.
- (x) Support the caravan axle with wooden blocks, axle stands or similar so that when the jacks are removed the wheels remain clear of the ground. Lower the corner steadies to 'just' site the caravan. Cover the tyres to prevent deterioration. Release the handbrake.
- (xi) Security: Lowering the corner steadies and removing the wheels will reduce the risk of caravan theft.

### CARAVAN COVERS

Caravan covers may be used to protect your new caravan provided that the cover used is of a breathable type.

Lower the TV antenna and ensure the cover is well tied down to avoid the cover being punctured.

Your caravan must be ventilated every 4 to 6 weeks if it is to be stored with a cover in place.

### POWER DRAIN

Ensure that the leisure battery is fully charged before placing the vehicle into storage.

Once in storage check the battery state every 2 months, if the terminal voltage drops below 12.07V then re-charging is necessary.

Charging should be carried out in a cool, dry, well ventilated area.

Do not place the battery onto cold surfaces such as concrete as this will affect the battery's ability to charge.

This will depend on your leisure battery's capacity, age and state of charge.

Should the caravan be stored for a prolonged period of time it is strongly recommended that the caravan is fully serviced before the commencement of use. Your retailer will ensure that your caravan is safe, secure and ready for your enjoyment.

**Please note:** Caravans stored for any length of time should not have the handbrake or brakes applied. The wheels should be chocked or wedged and the handbrake released. The hitch head should be checked to see that it is fully extended and that there is no load on the braking system. It is recommended that you place a bowl of salt within your caravan to absorb any moisture during the winter months.





## CARAVAN WARRANTY COVER

### Introduction

At Elddis we are confident that our new caravans are engineered using the latest manufacturing techniques and advanced materials technology ensuring that, when buying one of our products, you are buying the very best. We extend this philosophy to our customers by offering long term peace of mind and reassurance through our extensive warranty cover.

Your warranty cover commences on the day your new caravan is purchased and comprises two key elements:

1. Three year manufacturer's warranty
2. Ten year body integrity warranty

### Scope

This applies to all new Elddis products manufactured from 2012 model year onwards.

### Three year manufacturer's warranty

**Year 1 warranty** - Covers all original components, including permanently fitted equipment forming part of the original product specification.

**Year 2 and 3 warranty** – Covers all original components, including permanently fitted equipment forming part of the original product specification, with the exception of the following items:

- Microwave
- Tyres
- Batteries
- Windows and glass
- Exterior paint work
- Soft furnishings, carpets and floor coverings
- Entertainment equipment
- Fuses and LED lights
- Exterior panels and trims ABS & GRP
- Plastic products including A-frame covers, wheel spats and shower trays
- Minor adjustment of blinds, hinges, catches, stays and doors
- Chassis components (serviceable parts)
- Exterior decals
- Normal wear tear/servicing items and other components subject to routine maintenance.
- Ironmongery (handles, hinges etc)
- Electrical connections

### Ten year body integrity warranty

Elddis products are covered against water ingress damage for 10 years from the original date of purchase of a new product. (6 years for subsequent owners from the 1st owners original date of purchase).

In order to comply with the terms of the above cover the following conditions must be met:

### Reporting a fault

In the unlikely event that you experience a problem with your caravan please contact your retailer.

It is with the retailer that your contract of sale exists and consequently they have the responsibility to ensure any complaints and warranty issues are addressed. Any Elddis approved Retailer / Service Centre are able to undertake any warrantable work at their convenience or discretion, but are not obliged to do so, if the vehicle was not purchased from them.

All Elddis products are classed as portable and therefore all work under warranty requires the caravan to be delivered and collected from the selling retailer.

**The cost of transporting the caravan by any means to and from the place of repair is the responsibility of the owner.**

### Conditions attached to the warranty cover

If you have your caravan serviced at an NCC approved workshop and then warranty work is required, this work will have to be undertaken at an Elddis approved Retailer / Service Centre. An additional charge may be required to cover the second inspection if required.

- You must retain the original sale invoice for the caravan.
- All new caravans must be registered with Elddis within 6 weeks of purchase as new. Your retailer can forward this information to us. Please keep us informed of any name or address changes by using the Notification of Change to Name and Address form.





- The caravan must have an annual service and damp check carried out by an Elddis Approved / Service Centre, NCC Approved Workshop or NCC equivalent standard as set out in this handbook. Original invoices, service checklists and damp reports must be retained as proof that the annual services have been carried out in accordance with our warranty terms.
  - Service intervals:
    - a) In years 1, 2, and 4 through to 9 the service must be completed no more than 60 days either side of the anniversary of the date of purchase.
    - b) In Years 3 and 10 the service must be completed no more than 60 days on or before the anniversary of the date of purchase and must not exceed this date.
    - c) For second owners the service in years 3 and 6 must be completed no more than 60 days on or before the anniversary of the original date of purchase.
    - d) No service interval should exceed 14 months.
    - e) **Failure to service the vehicle within the specified time limits will invalidate your warranty.**
  - Where an annual service identifies that repairs are necessary the caravan must be made available for repair within six weeks of the date of inspection for the purpose of carrying out the repair work. Elddis reserves the right to inspect the vehicle before work commences.
  - Work may only be undertaken by an Elddis Approved / Service Centre as set out in this handbook and only after approval by Elddis (depending upon individual circumstances).
  - Elddis will pay the costs of remedial work to the repairer, only after approved work has been carried out. The cost of transporting, towing or moving the caravan by any means to or from the place of repair is the responsibility of the owner.
  - The Policy is not retrospective and is applicable to 2012 model year caravans onwards.
  - No liability will be accepted for any consequential loss, damage, costs, expenses or other claims for compensation arising which were not reasonably foreseeable by both parties when the caravan was originally purchased.
  - No liability will be accepted for damage caused by fair wear and tear, rodent damage, willful damage, negligence or abnormal working conditions.
  - No alteration may be made to the original construction.
  - In the case of a dispute Elddis will appoint an independent arbitrator. Elddis will pay for the costs of arbitration, subject to the owner paying a £250 deposit.
  - If the arbitrator finds in favour of the customer, then the deposit will be returned. If the arbitrator finds in favour of Elddis, the customer will lose their deposit.
  - Where the arbitrator awards a sum of money less than an offer made by Elddis which has already been rejected by the customer, then their deposit is forfeited.
  - In all cases the arbitrator's decision is final and both parties must agree to abide by the decision.
- Elddis reserve the right to inspect the caravan at any time.
- Exclusions**
- Warranty cover is not given for caravans if they have been used under any of the following circumstances:
- Used for hire.
  - Used as a permanent residence
  - Towed behind a commercial vehicle
  - Used for racing or time trials
  - Damage resulting from freezing, accident or fire damage
- Mains electrics**
- It is recommended that you have your mains electrics system inspected by a NICEIC approved contractor every 3 years.



## Transfer of ownership

If you purchase this vehicle as a used vehicle it may be possible to transfer the unexpired term of the warranty cover (up to a maximum of six years commencing at the original date of purchase from the first owner) and is as follows:

1. Three year manufacturer's warranty
2. A maximum of six years' body integrity warranty

The warranty is subject to the usual terms and conditions' set out in the handbook and is only transferable on payment of a £50 administration fee. Full documentary evidence that the caravan has been serviced annually should be provided at the time of transfer, in accordance with the terms and conditions of the warranty stated in the handbook. Transfer of ownership must be completed within three months of change of legal ownership. Please complete the Notification of Change of Ownership form in your handbook.

This warranty does not affect the purchaser's statutory rights. The warranty shall be governed and construed in accordance with the laws of England and the parties irrevocably submit to the exclusive jurisdiction of the courts of England.

For second owners the service in years 3 and 6 must be completed on or up to 60 days before the anniversary of the first owners date of purchase and must not exceed this date.

## NON WARRANTY REPAIRS

Should you require any replacement parts for your caravan it is necessary that you contact the Retailer from whom you purchased the caravan or any Elddis approved Retailer and give the following information, which will help in identifying the required component:

- (i) Model and make of caravan
- (ii) VIN number
- (iii) Description of required part
- (iv) Photograph, size or diagram of required part

**Please note:** All parts must be ordered and supplied through an approved retailer.

## REMEDIAL WORK

Elddis, together with its suppliers is continually undertaking extensive research into testing, remedial work procedures and materials such as sealants, adhesives, gaskets and tapes. If for any reason your new caravan is damaged or requires remedial work then only an approved Elddis Retailer or Service Centre should undertake such work.

All such work should be undertaken using only approved Elddis genuine parts, recommended sealant and following Elddis procedures. Elddis will also undertake to supply certain specialist repairers with the necessary spare parts. In this case, your selected repairer must contact the PARTS DEPARTMENT with all enquiries.





## **CARAVAN CONSTRUCTION - MAIN COMPONENTS**

The following is a brief description of the main components used in your caravan. More comprehensive descriptions can be found in the equipment manufacturers literature held in the Owner's Information Pack.

### **ALKO CHASSIS**

Manufactured from high quality steel, the chassis has extra deep sections to provide strength at points of maximum stress. Large elongated holes are punched in the longitudinal and towbar, ('A' frame) members, to reduce weight to a minimum. Each hole incorporates a return flange to maintain the required strength and provide rigidity in the extra deep sections.

The chassis frame is of a bolted construction which, should the need arise, allows replacement of individual parts.

### **BRAKING SYSTEM**

The Braking System comprises a rod operated overrunning device with expander mechanism and adjuster box. An automatic reversing system with a spring loaded reverse lever is attached to the adjuster box. The system also incorporates a link device, which gives added safety to the handbrake operation when parking on a reverse slope or steep hill. Brake adjustment instructions are given in the maintenance section of this guide.

### **SOLID CONSTRUCTION BODY SHELL**

Elddis Caravan Bodies are constructed from the highest quality materials. The fully insulated floor is a constructed timber frame with plywood internal floor and a GRP underskin for added water resistance and insulation laminated together for strength. The walls comprise an insulated foam sandwich having pre-coated aluminium exterior surface and vinyl coated plywood internal finish. Wooded framing is positioned within the sandwich to add strength. The latest technology is used to produce the extremely well insulated and robust, yet lightweight sections.

### **WINDOWS**

Windows are all of a double glazed acrylic construction and the door frames are extruded aluminium.

### **INSULATION**

Elddis caravans are built to comply with grade 3 thermal insulation in accordance with the European Standard BSEN 1645 part 1. This states that an average temperature difference of at least 35°C between the inside and outside temperatures should be achieved when the outside temperature is -15°C and an internal temperature of 20°C.

### **FRONT PANEL AND GAS BOTTLE LOCKER DOOR**

The front panel and gas locker door are constructed from ABS plastic for strength and lightness.

### **AWNING CHANNEL**

Each caravan is fitted, as standard, with an awning channel as an integral part of the near- and/or off-side aluminium roof and body side moulding. We only recommend awning skirts with suction cap fasteners.





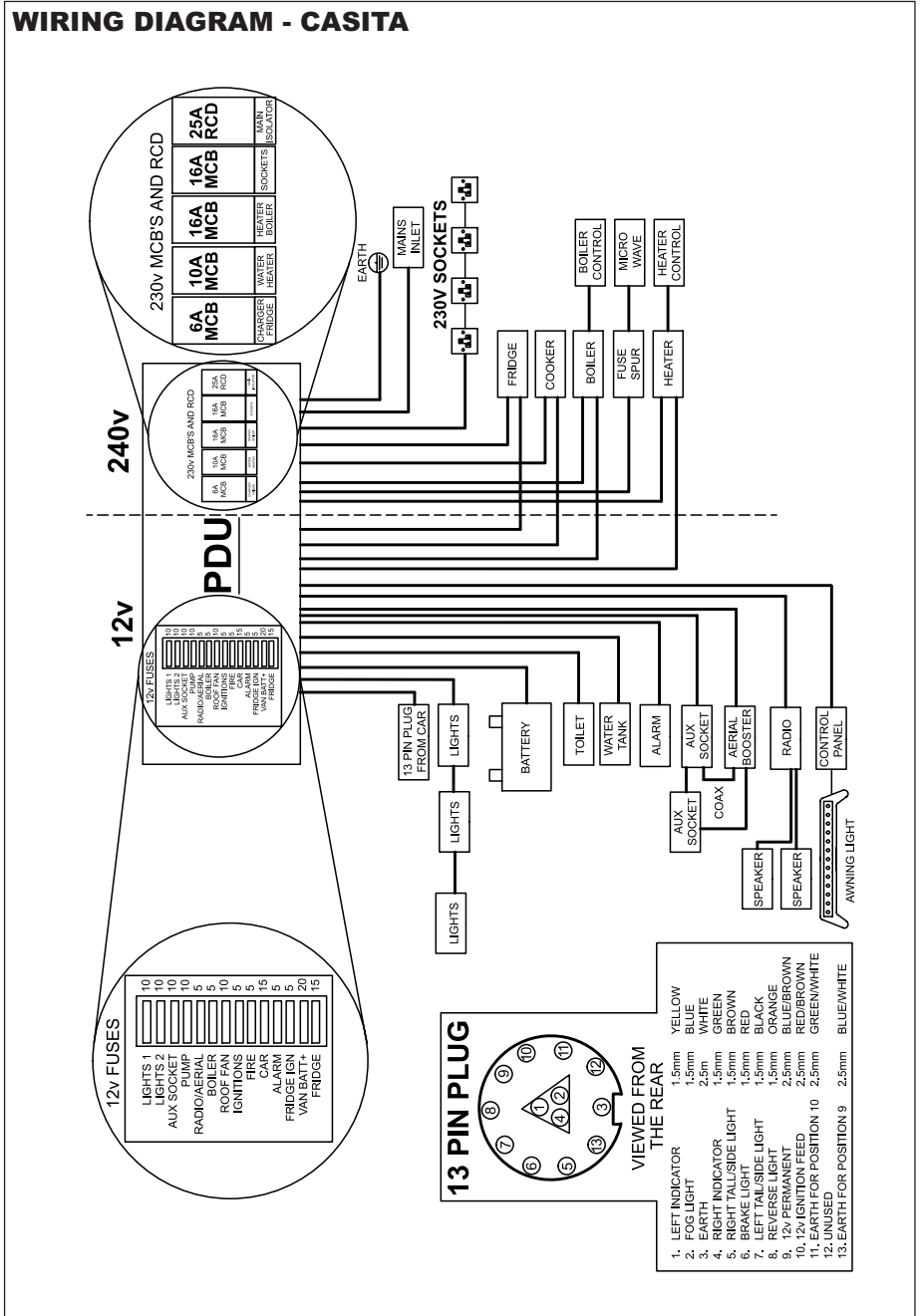
## EQUIPMENT LIST

### CASITA

CHASSIS	ALKO
SPACE HEATER	WHALE MK 4 SPACE HEATER
WATER HEATER	WHALE EXPANSE 8 LITRE WATER HEATER
HOB	THETFORD K1520
GRILL	THETFORD K1520
COOKER	THETFORD K1520
REFRIGERATOR	DOMETIC 8 SERIES
MICROWAVE	DAEWOO
TAPS	CARAFAX MIXER TAP L240/L120
TOILET	THETFORD
WATER FILTER / PUMP	WHALE
CONTROL PANEL	WHALE IVAN
12V READING DOWN LIGHTS	DIMATEC LED
LIGHTS RIGID LED	ZODION
RECESSED LED LIGHTS	DREAM LIGHTING



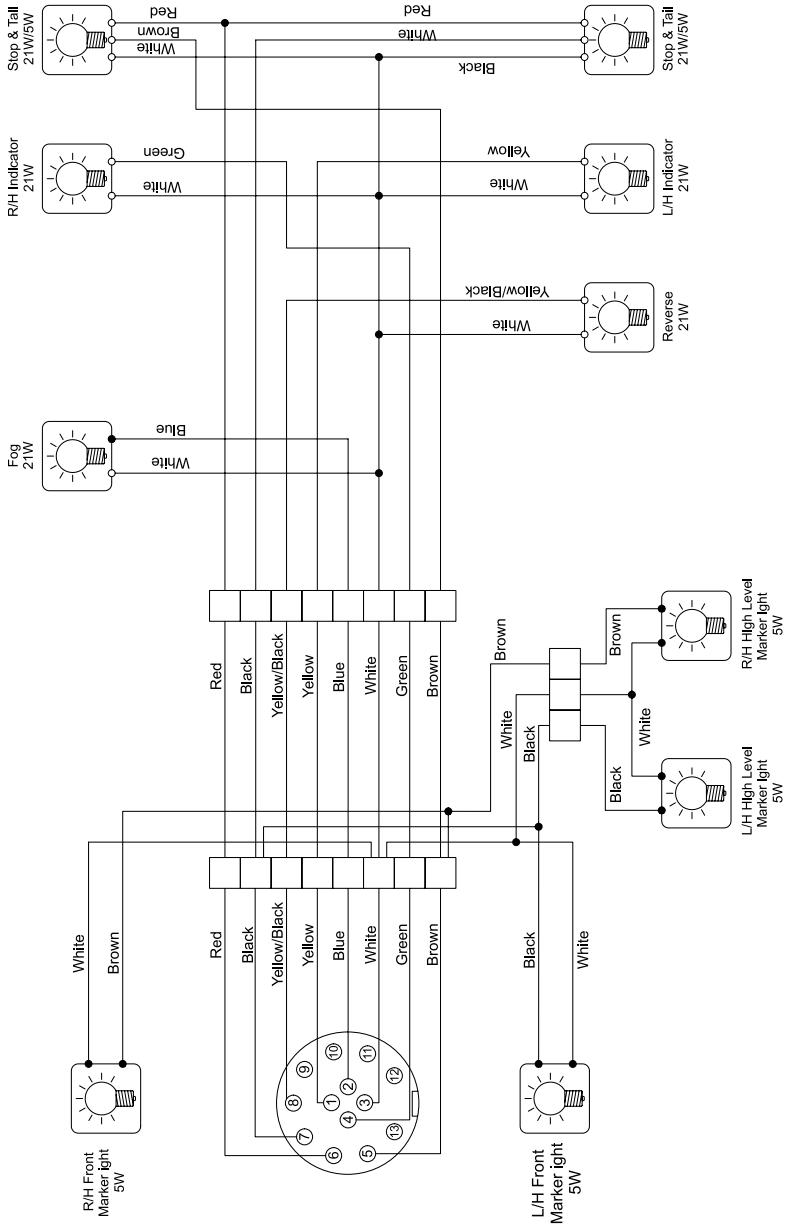
## WIRING DIAGRAM - CASITA





## ROAD LIGHTS - CASITA

### Avante Road Lights Diagram





## GENERAL QUESTIONS

### **Q: What is SoLiD construction?**

A: SoLiD construction is unique and our jointing system, coupled with Henkel's tried and tested structural bonding adhesives, spreads the stresses and strains evenly across all joints and creates an impervious barrier to water ingress.

### **Q: Where Can I Obtain Your Latest Brochure?**

A: Our latest brochures are available from Approved Retailers or can be viewed and printed from the *download* section on our website [www.elddis.co.uk](http://www.elddis.co.uk). A request form can also be completed should you wish to receive a printed copy of our latest brochures.

### **Q: Why Is the Handbook Not Specific To My Model?**

A: Many of the components used in the manufacture of our caravans are identical throughout our model ranges, so we produce a generic handbook, which covers all models manufactured for that season. If the literature supplied with your caravan does not answer your question then please contact your Retailer for further assistance.

### **Q. I Require Technical Or Other Information, Who Can Help Me?**

A. The majority of information you require is available through your Elddis Retailer.

### **Q - Can You Tell Me The Second Hand Price Of My Caravan?**

A - As a manufacturer we are not involved in the second hand market. You should contact a Retailer, The Camping and Caravanning Club and/or The Caravan Club. They should be able to give some indication of market value.

### **Q: How Can I Avoid Excessive Caravan Snaking When I Tow And What Should I Do If It Starts?**

A: Elddis has extensively tested our caravans and we are confident of their stability. However, many other factors can influence your towing unit. When loading your caravan put heavy items low down and mainly over the axle(s). You should not stow tins, bottles or heavy items in overhead lockers, during towing. Everything else should be distributed evenly around your caravan, front and back, and each side of the centre line. Should snaking start, if at all possible don't brake and don't compensate by steering into the swings. Just ease up on the accelerator and allow your speed to gradually decrease until the snaking subsides.

### **Q: What Is The Correct Awning Size For My Caravan?**

A: Ground to ground awning measurements for Elddis caravans can be found by looking in the latest model section, the Product Archive section on our website, or by referring to the relevant Technical Data Sheet. However, we advise you verify this information by threading a piece of string through the awning channel from ground to ground, and then by measuring the string. Your awning manufacturer will then advise on the nearest size of awning appropriate for your measurement.

### **Q: Can I Fit A Bicycle Rack?**

A: Yes contact your Elddis Retailer for details of our recommended bike rack.

### **Q: Can I Fit A Top-Box?**

A: No.

### **Q: Can I Fit An Air Con?**

A: This is model dependant - Contact your retailer.

**Q: My Interior Lights Are Not Working, What Do I Do?**

A: It is possible that all of the 230V mains electrical equipment may not be operated simultaneously. Check fuses, battery connections and power supply (master light switch). Refer to your Retailer for further assistance. PLEASE NOTE: The internal lights in your caravan will not operate whilst the caravan's electrical hitch cables are connected to a towing vehicle with the engine running.

**Q: Where Can I Get Spare Parts For My Caravan?**

A: Retailers will be able to source most parts you require. For details of your nearest Elddis Retailer please refer to our Find A Retailer section on our website, or call 0371 964 2113 for assistance.

**Q. How Many Years Will Spare Parts Be Available For My Caravan?**

A. Elddis will endeavour to supply spare parts for a caravan, for at least 8 years from new.

**Q. What If The Parts Are No Longer Available?**

A. Where an original part is no longer available, whenever possible we will suggest a suitable alternative if it is available.

**Q. Who Can Carry Out Warranty Work On My Caravan?**

A: Your supplying Retailer is obliged to undertake your warranty work. However, any Approved Elddis Retailer or Service Centre can undertake the work, but this is at their discretion. We will also accept services completed by a NCC approved service centre, or NCC equivalent standard as set out in this handbook but they will not be able to undertake warranty work if they are not approved by Elddis.

**Q. Why Don't You Stock Parts At The Elddis Factory?**

A. Due to the volume of models we produce it is not possible for us to maintain stock levels of every individual component used in our manufacturing process. We do stock commonly requested items, but some items must be made to order.

**Q. I Am Having Trouble Booking My Caravan For Its Service, In Line With The Requirements. What Timescale Is Acceptable?**

A. Please refer to the warranty section for the terms and conditions of servicing. We would recommend that you plan your services in advance in order to meet the requirements.

**Q. I Have A Problem With My Caravan, Who Can Help Me?**

A. We would always recommend that you contact your supplying Retailer. Your local Elddis Retailer or Elddis Approved Service Centre may be able to assist. An inspection can then take place and the necessary course of action agreed.

**Q. I Am Unhappy With The Service I Have Received From My Retailer/Service Centre, Where Do I Go From Here?**

A. We would recommend that you write to your Retailer/Service Centre, detailing your problems and requirements, requesting a response explaining how they will resolve your complaint. A copy of your letter can also be forwarded to The Elddis Customer Care Department, quoting the serial number of your caravan and the name of the Retailer/Service Centre. Please be assured that we will assist your Retailer/Service Centre in resolving any problems.

## GLOSSARY

### 13 pin plug

The plug used to connect the caravans electrical system to your towing vehicle to enable the road lights, refrigerator and battery charger to operate during towing.

### A Frame

This is the triangular part at the front of the caravan's chassis which is between the main body and the hitch it is also called the drawbar.

### ABS

This is an acronym for anti-lock braking system.

### Actual Laden Weight

This is the total weight of the caravan when loaded ready for use by the end user.

### Aquaroll

Brand name used generically for a water container that rolls so you don't need to lift it.

### Awning

This is a tent-like structure of fabric over a supporting framework, which can be attached to the side of caravan.

### Battery Charger

This is required to keep a leisure battery charged. All caravans include a charging facility which operates via the mains hook-up, and also has the ability to recharge from the tow car's alternator while travelling.

### Berth(s)

Sleeping place - Refers to the number of people a caravan can accommodate for sleeping.

### Blown Air Heating

A method of heating the living quarters of a caravan by use of a fan pushing air out through a number of outlets.

### Breakaway Cable

A thin steel cable linking the caravan handbrake to the vehicles tow bar - In the event of the caravan becoming detached

from the car, the cable will pull the caravan handbrake on before snapping.

### Bunk Bed

This is a sleeping place, usually higher up than a conventional bed. Often (but not always) this can be folded or removed to provide additional living space.

### Butane

Is a form of Liquefied Petroleum Gas (LPG) which normally comes in blue cylinders. This type of gas is most commonly used in the UK, although a switch to propane is advised in severely cold weather conditions.

### Calor

This is the main supplier of propane (red) gas cylinders and significant seller of butane (blue) gas.

### Campingaz

This is the trade name of Butane gas.

### Cassette Blind

This is a roller blind which is fitted as part of the window assembly, often along with a flyscreen, thus giving a neat installation.

### Cassette Toilet

A form of chemical toilet found in modern caravans, where the waste holding tank can be accessed and emptied from, outside.

### Chemical Toilet

Most modern caravans have them, with more up market models having a fully plumbed-in flushing version.

### Control Panel

Used as the description for the panel of electrical switches and gauges governing 12V and mains electricity systems.

### Corner Steadies

The winding device built into each corner of a caravan chassis that is used to stabilise the body once set up on a pitch.

**Coupling Head** - See hitch.

**CRiS**

This is the Caravan Registration and Identification Scheme. It is a voluntary scheme which registers caravans in a similar manner to how motor vehicles are registered. Allows you to check the legitimate right to ownership of the seller of a secondhand caravan, and helps in the recovery of stolen caravans.

**Dinette**

This is a popular style of seating arrangement where two seats or settees face each other across a table.

**Earth Leakage Circuit Breaker**

ELCB Earth leakage circuit breaker - see residual current device (RCD).

**Essential Habitation Equipment**

Those items and fluids required for the safe and proper functioning of the equipment for habitation as defined by the manufacturer of the caravan.

**Flyscreens**

Mesh fittings for windows doors and roof vents, to keep out insects etc.

**Free-Standing Table**

This is a table which, because of its leg design, can be used inside or outside.

**Full Service Pitch**

This is a pitch which has individual provision for fresh water supply and waste water disposal, in addition to mains electricity and in some cases TV aerial connection.

**Gas Cylinder**

This is a portable, pressurised container for the storage of LPG.

**Gas Cylinder Locker**

Is the compartment on the caravan for the storage of gas cylinders.

**Gas Drop out Holes**

These are not part of the ventilation. LPG is heavier than air, so holes through the floor below gas-powered appliances allow any leakage of gas to exit the habitation area.

**Grey Water**

This is the waste water from sink/shower.

**Gross Train Weight**

This is also known as Combined Weight. The maximum permitted weight of an outfit as specified by the tow car manufacturer.

**Gross Vehicle Weight (GVW)**

This is the weight of the vehicle laden to its maximum, as defined by the manufacturer. See also MTPLM.

**GRP**

Is Glass-reinforced plastic, but more commonly known as glass fibre (not fibre glass, which is a trade name).

**Handbook**

This is a generic owners manual, a guide to the workings of your caravan.

**Hardstanding**

This is a pitch which has a hard surface made of gravel, asphalt, concrete etc, instead of grass.

**Hitch**

This is the mechanism which allows a caravan to be attached to a tow ball.

**Hitch Lock**

A security device that prevents the caravan hitch being used.

**Hook-Up**

This is a facility on a pitch for connection to mains electricity.

**Ingress**

The entry of water into the caravan structure.

**Jack**

This is a device for raising the vehicle so that a wheel can be changed, for instance. Not to be confused with corner steadies which although they are sometimes referred to as 'corner jacks' are steadying, not lifting devices.



## **Jockey Wheel**

The small front wheel attached to the caravan A-frame used to support the forward end of the caravan, when detached from the towing vehicle.

## **Kerb Weight**

This is the empty weight of a motor vehicle as defined by the manufacturer.

## **Layout**

This is the interior design and details where furniture units are placed in relation to each other.

## **Leisure Battery**

This supplies the power for the caravan electrical systems and is sometimes called an auxiliary battery.

## **Levelling**

The process of ensuring that a caravan is level when sited on a pitch. It is important for comfort and also to ensure the correct functioning of the fridge and water systems.

## **LPG**

Liquid Petroleum Gas, i.e. butane or propane.

## **L-Shaped**

This is a term where the seating area of a caravan is indeed L-shaped.

## **Mains Hook-Up**

This is a campsite facility where you can plug into a mains electricity supply.

## **Maximum Hitch Height**

The maximum height at which the hitch should be connected to a towing vehicle

## **Maximum Permissible Towing Weight**

This is the maximum weight that the towing vehicle is allowed to tow.

## **Maximum User Payload**

This is the maximum payload available for the user.

## **MIRO - Mass In Running Order**

Weight of the caravan equipped to the manufacturer's standard specification including essential habitation equipment.

## **MTPLM - Maximum Technically Permissible Laden Mass**

The technical maximum permissible laden weight of the caravan, this must not be exceeded.

## **National Caravan Council (NCC)**

The only trade association representing manufacturers, retailers and suppliers within the caravan industry.

## **Nose weight**

The weight exerted on the tow bar. Special scales are available from accessory shops for measuring this weight.

## **Number Plate**

Caravans must display a legal number plate showing the same registration mark as their towing vehicle.

## **Optional Equipment Payload**

The payload required for equipment to enable the caravan to be used for habitation purposes.

## **Outfit**

The caravan and its towing vehicle considered as a unit.

## **Owners' Club**

This is a group of people who usually own the same brand of caravan and enjoy meeting up for rallies.

## **Payload**

The amount you can put into a caravan. Specifically the difference between the Maximum Technical Permissible Laden Mass (MTPLM) and the Mass In Running Order (MIRO).

## **PDI**

This is an inspection undertaken by the Retailer prior to handover to the customer.

**Pitch**

A designated area of a caravan site allocated for the use of one outfit. Most sites will be arranged with defined pitches.

**Propane**

Gas used in colder conditions and is usually supplied in red cylinders.

**RCD**

This is a residual current device and is part of the electrical system which will 'trip' if there is an electrical fault.

**Gas Regulator**

Safety device fitted between the gas cylinder and the gas system of a caravan, which controls the pressure of gas being released from the cylinder.

**Road Lights**

The external lights used while the vehicle is travelling.

**Roof Lights** - See Roof Vent.

**Roof Vent**

Is an opening unit in the ceiling which lets in ventilation and light, these vary in size, but the best ones will have integral blinds and flyscreens and are also called rooflights.

**Semi-Rigid Pipe work**

Is water pipes made of a semi rigid plastic and are infinitely preferable to cheaper convoluted piping which can act as a trap for germs and smells.

**Single Axle**

This is a caravan with a single pair of wheels on one axle. See also twin axle.

**Slats**

Sometimes used for beds and can improve ventilation to mattress cushions.

**Space Heater**

This is a type of heating equipment for the living quarters. Modern units fitted offer gas and mains-operation.

**Speed Rating**

This is the maximum speed at which a tyre may be used, as marked on its sidewall.

**Stabiliser**

A safety device which helps to prevent instability, this is done by increasing the friction between the caravan hitch and the tow ball.

**Steady Winder**

A handle for operating the corner steadies.

**Torque Wrench**

A form of spanner used to set nuts and bolts to a specified degree of tightness. It is recommended for adjustment of wheel fixings on caravans.

**Towing Limit**

See manufacturer's braked towing limit and manufacturer's unbraked towing limit.

**Towing Mirrors**

Additional rear vision mirrors added to a towing vehicle to provide a greater width of view to see past a caravan.

**Train Weight**

The maximum permissible combined weight of tow car and touring caravan.

**Twin Axle**

Is a caravan with two pairs of wheels, on two axles which are located close together. These are usually the larger, heavier caravans, where the second axle helps carry the greater weight more easily, and also makes a longer caravan more stable to tow. See also single axle.

**User Payload**

The weight of all items carried in the caravan.

**U-Shaped Settee**

Usually a reference to seating that literally is 'U' shaped.

**Vehicle Kerb weight**

The weight of the tow car often indicated in the manufacturers specifications..



## **VIN - Vehicle Identification Number**

This is a unique serial identification number for a vehicle. All Cars and motor caravans should carry a VIN. Caravans are not obliged to, but most of those sold in recent years in the UK do as a result of the CRIS voluntary registration scheme.

## **Warranty**

Is the terms and conditions that spell out your rights with regard to servicing, repair or replacement of parts as provided by the manufacturer.

## **Wild Camping**

Term used for staying overnight away from a campsite. Illegal in many countries, but permission may be granted by individual landowners.







## SERVICE DOCUMENTS

### TOURING CARAVANS - ANNUAL SERVICE RECORD

In order to ensure your warranty remains valid an annual service must be carried out in accordance with the requirements of this handbook. You are responsible for any charges incurred for the service of your vehicle. If the annual service is performed by an authorised Elddis Approved Retailer / Service Centre or NCC Approved Workshop then Erwin Hymer Group UK Limited deems that the service has been performed correctly.

You may choose to have your annual service performed by an unauthorised repairer / service centre and if you do it will be your responsibility to ensure that the service meets our requirements.

We will ask you to provide a copy of the following documentation:

- Damp report
- Annual Habitation Service check list (to the minimum standard set out in this handbook)
- Invoice / dated service stamp

If the Annual Service has not been performed in accordance with the requirements in this handbook your warranty will be invalidated, however this will not affect your legal or statutory rights as a customer.

Elddis will not pay any unapproved Service Centre for the undertaking of any warranty work.

#### Minimum service requirements

The service must be undertaken by suitably qualified personnel.

A full damp test check should be undertaken and damp readings recorded.

A service check must be performed to the minimum standards set out below.

#### Annual Habitation Service check list

##### UNDERBODY

Item	Condition
Corner steadies, folding step and spare wheel carrier where applicable - check operation and lubricate	
Under slung tanks and pipes - check condition and security	
Body Attachment - check security of body to the chassis	

##### UNDERBODY (Caravans Only)

Item	Condition
Coupling head / Ball acting stabiliser - check wear or damage & lubricate	
Nose weight - check & report (best practice)	
Coupling head gaiter - check for splits	
Breakaway cable & clip - check condition, routing & integrity	
Drawbar - check	
Jockey wheel - check condition and lubricate	
Check chassis condition	
Wheels and tyres - check for damage, wear, depths and pressures (incl. spare)	

## UNDERBODY (Caravans Only) (continued)

Item	Condition
Remove brake drums - clean & check hub bearings & seals	
Clean brake shoes & check condition (incl. springs and expanders)	
Brake rods, cables & supports-check operation, lubricate and adjust	
Refit brake drums – fit new hub nuts and torque to manufacturers settings, adjust brakes & check operation	
Replace road wheels & torque to manufacturers settings	
Handbrake mechanism - check operation, adjust & lubricate	
Check self-levelling to manufacturers requirements (where applicable)	

## ELECTRICAL SYSTEMS

Item	Condition
Check the leisure battery is being charged from both the engine when running, or with a multi-tester (caravans) and the mains charger	
Leisure Battery (if fitted) - check condition of the battery & its compartment	
Leisure Battery (if fitted) - check condition, top up fluid if required and check the charge condition	
Interior lighting & equipment - check operation and fuse rating	
Awning light - check operation	
Wiring earths - check for defects on all ELV circuits (Visual)	
LV inlet plug & extension lead – check condition & resistance across pins	
Earth Bonding - visual inspection	
RCD unit - check operation of RCD test button and operations of MCBs	
230V appliances - check operation	
Air conditioning (if fitted) - check operation	
2 x 7pin plug / 13 pin plug - check condition	

## GAS SYSTEMS

Item	Condition
Regulator and gas hose - check age performance and security	
Perform a gas pressure check	
LPG Tank (if fitted) - check security	
Flame failure devices - check operation	
Gas cylinder - check security	
Gas dispersal holes - check they are clear from obstructions.	



**APPLIANCES (check gas and electric operation)**

Item	Condition
Fridge - check operation from 12V, 230V & gas	
Hob - check operation	
Oven - check operation	
Grill and fan - check operation	
Fridge - check operation	
Water boiler – Check operation	
Heater - check operation and top up header tank with anti-freeze (where applicable), bleed as necessary	

**WATER SYSTEM**

Item	Condition
Water pump & pressure switch - check operation	
Taps, pipes and micro switches - check operation	
Water filter housing & inline filter - check for leaks & replace filter where necessary	
Water system - check for leaks	
Water Tanks (if fitted) - check security of all water tanks including underslung tanks.	
Toilet - check security, operation of flush pump and free from obstructions.	
Drain down the system when checks are complete.	

**VENTILATION**

Item	Condition
Rooflights - check all are free from obstructions, cracks and have a free air flow	
Floor vents - remove protective cover and check they are clear from obstruction then refit covers	

**FIRE & SAFETY**

Item	Condition
Smoke and carbon dioxide detectors - check for operation via the test buttons fitted, check battery condition.	
Fire Extinguisher (if fitted) - check it is still within date	
Fire Blanket (if fitted) - check it is still within date	
Habitation door operation	
Motormover - check 12v cables are sealed at entry to battery box (where fitted)	



## BODYWORK

Item	Condition
Doors and windows - check all catches are present and operating correctly.	
Blinds and flyscreens - check condition and operation	
Roof - check condition of roof.	
Cab seats - check condition of the seats and seats belts	
Floor - check condition of floor	
Furniture - check condition of the furniture	
Damp Test - undertake a damp test and record all readings taken.	
Lubricate all locks	

## CARE WARRANTY

It is a condition of this warranty that a service and safety check is carried out by your caravan retailer at least once a year (12 months from the date of purchase) in accordance with the NCC recommendations.

### ANNUAL SERVICE RECORD

MODEL .....

VEHICLE IDENTIFICATION NUMBER ..... YEAR .....

#### 1st SERVICE

DATE:

RETAILERS STAMP:

I/We certify that an annual service has been carried out in accordance with the manufacturers' and NCC recommendations.

#### 2nd SERVICE

DATE:

RETAILERS STAMP:

I/We certify that an annual service has been carried out in accordance with the manufacturers' and NCC recommendations.

#### 3rd SERVICE

DATE:

RETAILERS STAMP:

I/We certify that an annual service has been carried out in accordance with the manufacturers' and NCC recommendations.

#### 4th SERVICE

DATE:

RETAILERS STAMP:

I/We certify that an annual service has been carried out in accordance with the manufacturers' and NCC recommendations.



**5th SERVICE**

DATE:

RETAILERS STAMP:

I/We certify that an annual service has been carried out in accordance with the manufacturers' and NCC recommendations.

**6th SERVICE**

DATE:

RETAILERS STAMP:

I/We certify that an annual service has been carried out in accordance with the manufacturers' and NCC recommendations.

**7th SERVICE**

DATE:

RETAILERS STAMP:

I/We certify that an annual service has been carried out in accordance with the manufacturers' and NCC recommendations.

**8th SERVICE**

DATE:

RETAILERS STAMP:

I/We certify that an annual service has been carried out in accordance with the manufacturers' and NCC recommendations.

**9th SERVICE**

DATE:

RETAILERS STAMP:

I/We certify that an annual service has been carried out in accordance with the manufacturers' and NCC recommendations.

**10th SERVICE**

DATE:

RETAILERS STAMP:

I/We certify that an annual service has been carried out in accordance with the manufacturers' and NCC recommendations.

**11th SERVICE**

DATE:

RETAILERS STAMP:

I/We certify that an annual service has been carried out in accordance with the manufacturers' and NCC recommendations.

**12th SERVICE**

DATE:

RETAILERS STAMP:

I/We certify that an annual service has been carried out in accordance with the manufacturers' and NCC recommendations.



**13th SERVICE**

DATE:

RETAILERS STAMP:

I/We certify that an annual service has been carried out in accordance with the manufacturers' and NCC recommendations.

**14th SERVICE**

DATE:

RETAILERS STAMP:

I/We certify that an annual service has been carried out in accordance with the manufacturers' and NCC recommendations.

**15th SERVICE**

DATE:

RETAILERS STAMP:

I/We certify that an annual service has been carried out in accordance with the manufacturers' and NCC recommendations.

**16th SERVICE**

DATE:

RETAILERS STAMP:

I/We certify that an annual service has been carried out in accordance with the manufacturers' and NCC recommendations.

**17th SERVICE**

DATE:

RETAILERS STAMP:

I/We certify that an annual service has been carried out in accordance with the manufacturers' and NCC recommendations.

**18th SERVICE**

DATE:

RETAILERS STAMP:

I/We certify that an annual service has been carried out in accordance with the manufacturers' and NCC recommendations.

**19th SERVICE**

DATE:

RETAILERS STAMP:

I/We certify that an annual service has been carried out in accordance with the manufacturers' and NCC recommendations.

**20th SERVICE**

DATE:

RETAILERS STAMP:

I/We certify that an annual service has been carried out in accordance with the manufacturers' and NCC recommendations.



**NOTIFICATION OF CHANGE OF OWNERSHIP**

If you purchase this vehicle as a used vehicle it may be possible to transfer the unexpired term of the warranty cover (up to a maximum of six years commencing at the original date of purchase from new). Please refer to the warranty section of the handbook for terms and conditions.

Please complete the attached form and post it to us along with the following information:

- A copy of the new CRIS registration form
- A copy of the service handbook displaying complete and up to date service history including service checklist and damp report.
- A cheque for £50 made payable to Erwin Hymer Group UK Limited.

Transfer of ownership must be made within the first three months of any change of legal ownership in order for the warranty cover to remain valid.

Erwin Hymer Group UK Limited Customer Care  
Delves lane  
Consett  
County Durham  
DH8 7PE  
www.elddis.co.uk

This form is also available for you to print from our web site.

**NOTIFICATION OF CHANGE OF OWNERSHIP**

**Previous owner details (if known):**

Name: .....

Address: .....

.....

..... Post code: .....

Email: .....

**New owner details:**

Name: .....

Address: .....

.....

..... Post code: .....

Daytime telephone number: ..... Date of purchase: .....

Email: .....

**Details of Caravan:**

Range: ..... Model: .....

Vehicle identification number (17 digits): .....

\* In order for you warranty to remain valid, your caravan must have been serviced annually by an Approved Retailer / Service Centre, NCC Approved Workshop or NCC equivalent standard as set out in this handbook.

If you do not want to receive information about products and services from Elddis or Buccaneer, please

tick.







**NOTIFICATION OF CHANGE TO NAME AND ADDRESS**

In order that we can provide you with the very best level of service we ask that you keep us informed of any changes to your contact details.

Should your details change please complete the online form on our website, in our 'Customers' section. Alternatively, please complete the attached form and post to us:

Erwin Hymer Group UK Limited Customer Care  
Delves Lane  
Consett  
County Durham  
DH8 7PE  
www.elddis.co.uk

.....✂.....

**NOTIFICATION OF CHANGE TO NAME AND ADDRESS**

**Previous details:**

Name: .....

Address: .....

.....

..... Post code: .....

Email: .....

**New details:**

Name: .....

Address: .....

.....

..... Post code: .....

Daytime telephone number: ..... Date of purchase: .....

Email: .....

**Details of your Caravan:**

Range: ..... Model: .....

Vehicle identification number (17 digits): .....

If you do not want to receive information about products and services from Eddis or Buccaneer, please tick.





## **USEFUL ADDRESSES**

### **AL-KO (Chassis Supplier)**

South Warwickshire Business Park  
Kineton Road, Southam  
Warwickshire, CV47 0AL  
Fax: 01926 818562  
email: mail@al-ko.co.uk

### **Theftord Ltd**

(Hobs, Grill, Oven and Toilet supplier)  
Unit 19, Oakham Drive  
Parkwood Industrial Estate  
Rutland Road, Sheffield, S3 9QX  
Tel: 0114 273 8157  
Fax: 0114 5753094  
email: infogb@thetford.eu

### **Alde International (UK) Ltd**

(Wet central heating supplier)  
Huxley Close, Park Farm South  
Wellingborough, Northants, NN8 6AB  
Tel: 01933 677765  
Fax: 01933 674975  
email: info@alde.co.uk

### **Dometic (UK) Ltd**

(Fridge Supplier)  
Dometic House, The Brewery  
Blandford St Mary, Dorset, DT11 9LS  
Tel: 0844 626 0133  
email: technical@dometic.co.uk

### **Whale Ltd**

Monster Simms Engineering Ltd  
2 & 2A Enterprise Road, Bangor  
BT19 7TA  
Northern Ireland  
Tel: 02891 270531





**A**

Alarm

Autowatch Alarm System ..... 8-46

Alko Chassis ..... 13-1

ATC (Automatic Trailer Control) 8-47

**B**

Battery Installation ..... 7-1

Battery Maintenance ..... 7-1

Blinds ..... 8-34

**C**

Caravan Chassis

Operating instructions... 3-2, 10-7

Caravan Construction -

Main Components ..... 13-1

Awning Channel ..... 13-1

Braking System ..... 13-1

Front Panel and Gas

Bottle Locker Door ..... 13-1

Solid Construction

Body Shell ..... 13-1

Windows ..... 13-1

Caravan Handling ..... 4-1

Care of your Caravan ..... 10-1

ABS Panels & Fittings ..... 10-1

Acrylic Windows ..... 10-1

Carpets, Upholstery and

Curtains ..... 10-2

Chassis Mounted Spare

Wheel Carrier ..... 10-4

Cleaning of all Taps ..... 10-2

Cooking Equipment ..... 10-2

Exterior Cleaning ..... 10-1

Glass Fibre Reinforced

Plastic (GRP) ..... 10-1

Interior Walls ..... 10-1

Jacking ..... 10-5

Lubrication ..... 10-5

Shower Trays, Shower Room

and Wash Basin Fittings ... 10-2

Thetford Toilet ..... 10-3

Tyres ..... 10-4

Water Containers ..... 10-3

Water Systems - Sterilisation 10-3

Care of your caravan

Changing a Wheel ..... 10-4

Charging System ..... 7-2

Code of Practice

Remedial Work ..... 12-3

Covers ..... 11-1

**E**

Electrical Control Panels ..... 8-1

Electrical System ..... 7-1

Electricity ..... 6-1

12v Systems ..... 6-1

Connecting To Mains Supply .. 6-1

Disconnecting Mains Supply .. 6-2

Generator/Charger ..... 6-1

Mains Supply ..... 6-1

Overseas Electrical

Connection ..... 6-2

Power Supply Charger ..... 6-1

Entertainment System ..... 8-42

**F**

Fire Safety ..... 2-2

**G**

Gas ..... 6-4

Connection ..... 6-4

Hoses ..... 6-6

Regulator ..... 6-4

Gas Safety Advice ..... 6-3

Generators / Charger ..... 7-1

Glossary ..... 17-1

**I**

Insulation ..... 13-1

Introduction ..... 1-1



<b>L</b>		<b>S</b>	
LED lighting .....	7-2	Safety, general .....	2-1
Leveller Jack .....	5-1	Seating (wrap round).....	8-41
Levelling, front & back .....	5-1	Security	
Levelling, side to side .....	5-1	Additional Security .....	9-4
<b>M</b>		Caravan Theft .....	9-1
Mains Unit .....	7-2	CRIS .....	9-1
Casita .....	7-4	Electronic Tagging .....	9-4
Model Year .....	1-1	Service Documents .....	18-1
<b>N</b>		Setting Off .....	4-1
Notification of Change of		Site Regulations .....	5-1
Ownership .....	19-1	Speed Limits .....	4-1
Notification of Change to		Storage	
name and address .....	20-1	Long Term & Winter .....	11-1
<b>P</b>		<b>T</b>	
Parking .....	5-2	Taps .....	8-35
Pitch, selecting .....	5-1	Toilet	
Power Drain .....	11-1	Thetford C260 .....	8-25
Pre-Tow Checklist .....	3-2	Towing Weight Ratio .....	3-1
<b>R</b>		Tracker .....	9-1
Radio/CD with MP3 .....	8-41	Tyres .....	10-4
Ramp .....	5-1	<b>V</b>	
RCD .....	7-2	Ventilation .....	2-2
Refrigerator (RM8551) .....	8-17	<b>W</b>	
Reversing .....	4-1	Wheel Changing .....	10-4
Road Lights		Wheel Lock .....	9-2
Casita .....	15-2	Windows .....	8-34
Rooflights .....	8-31	Wiring Diagram	
		Casita .....	15-1









**Compass**

**Erwin Hymer Group UK Limited** Delves Lane, Consett, Co. Durham DH8 7PE  
Telephone: 01207 699000 • Facsimile: 01207 699001 • [www.elddis.co.uk](http://www.elddis.co.uk)

All the illustrations and descriptive matter in this guide are intended to give a general idea of the caravan. Changing market and supply situations may prevent the manufacturer from maintaining the exact specifications and details in this handbook and we therefore reserve the right to alter specifications and materials as conditions demand.

Retailers are independent of the manufacturer and have absolutely no authority to bind the manufacturer by any express or implied undertaking or representation.

Model Year 2019